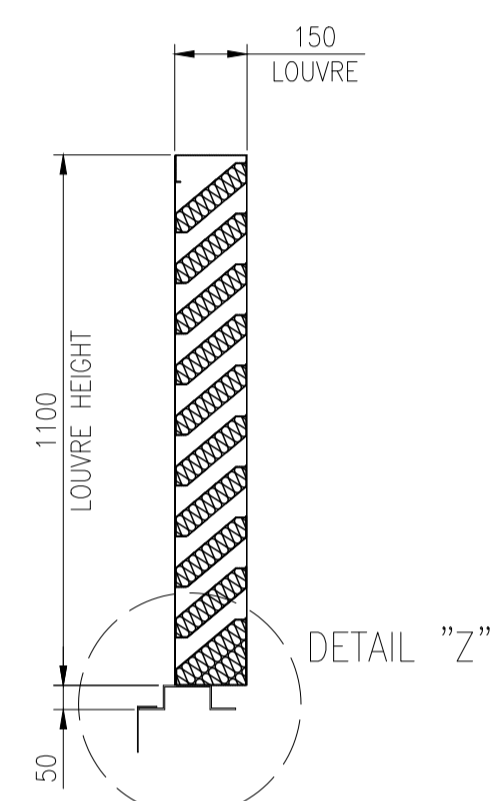
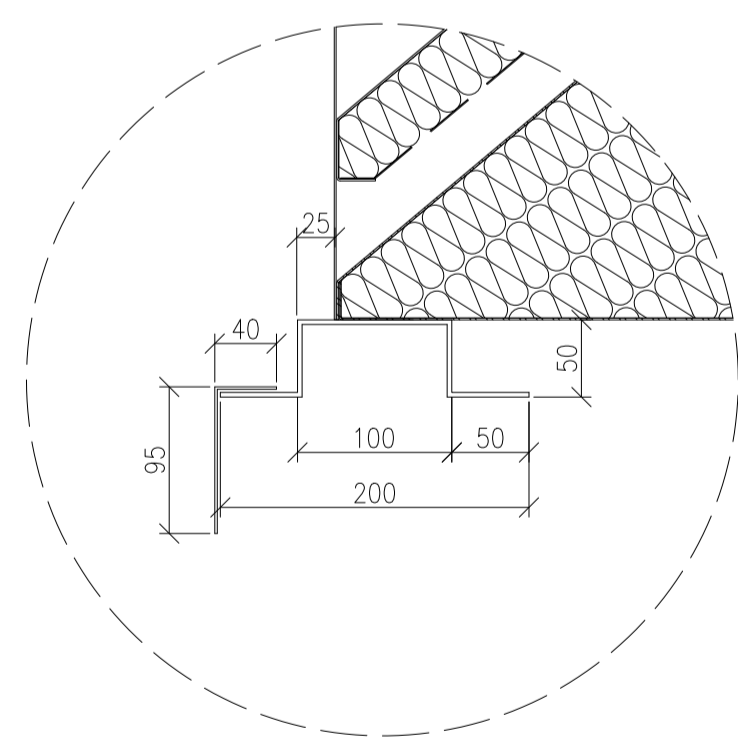


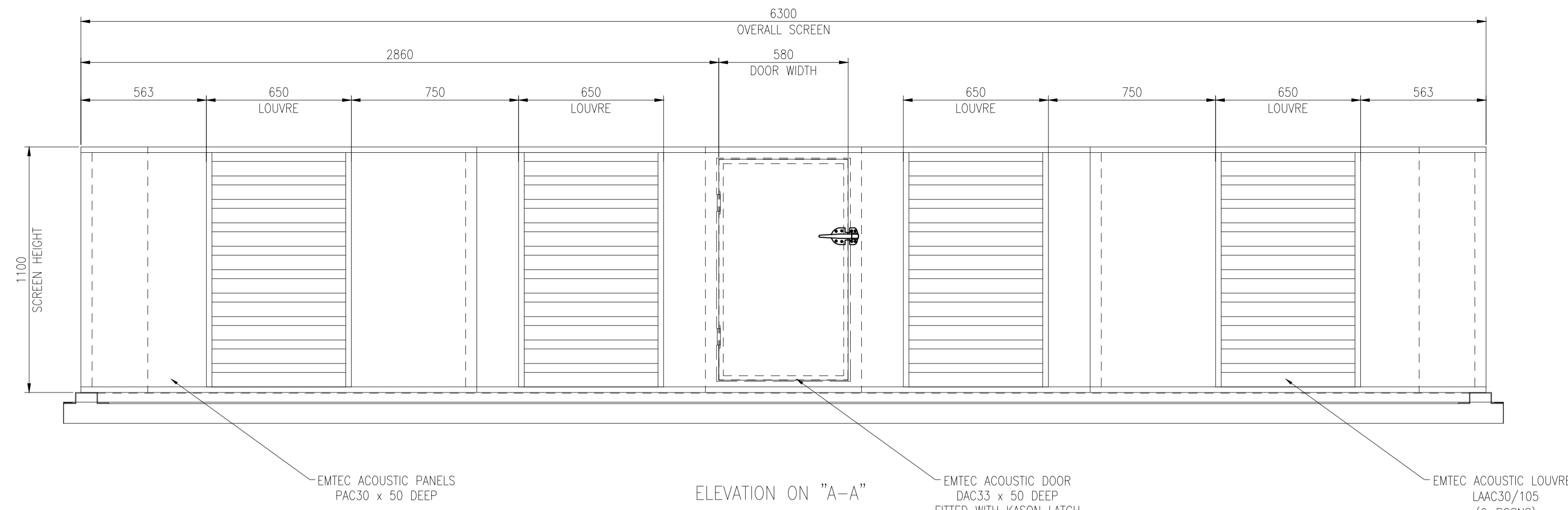
SECTION "Y-Y"



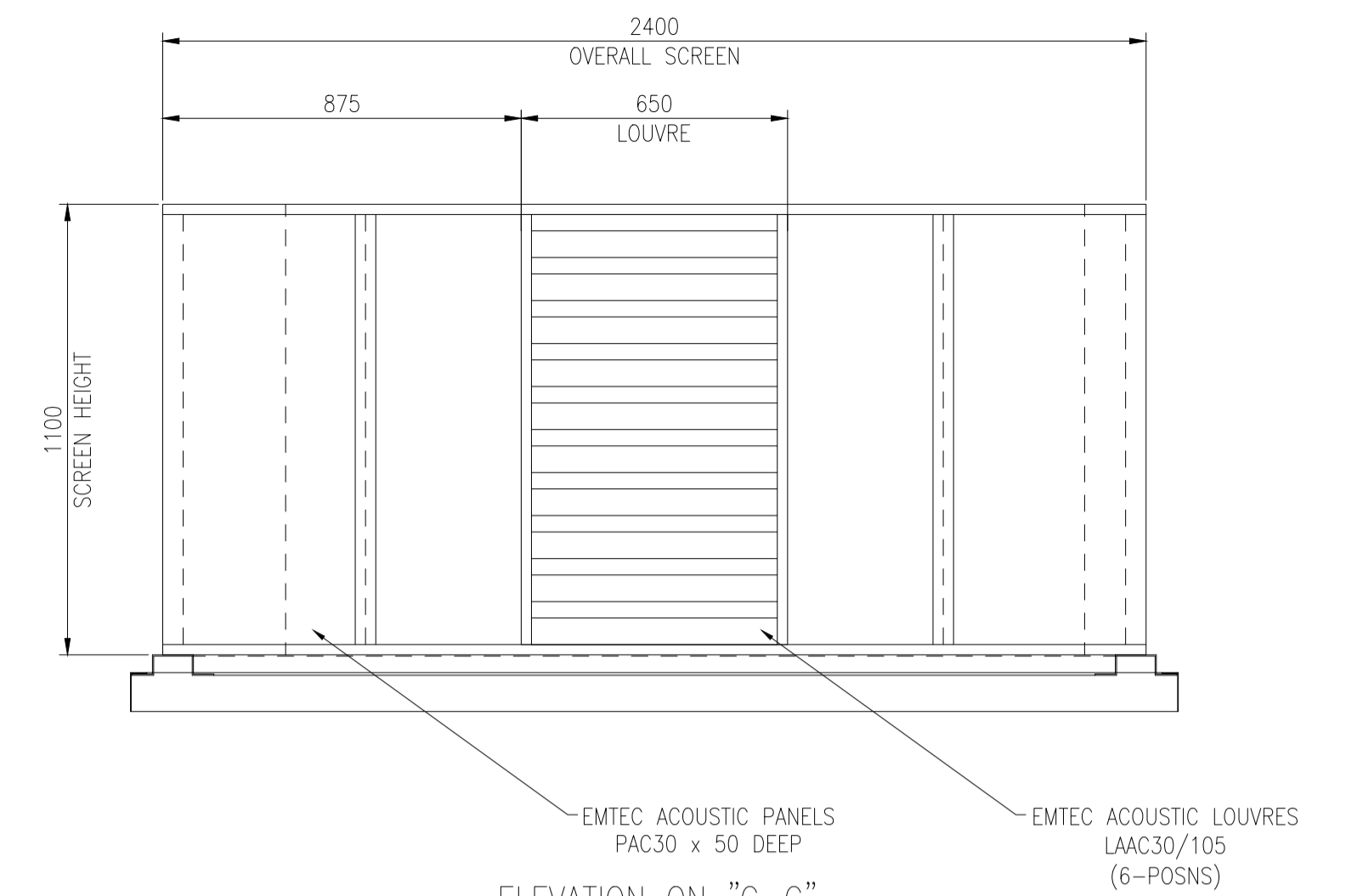
SECTION "X-X"



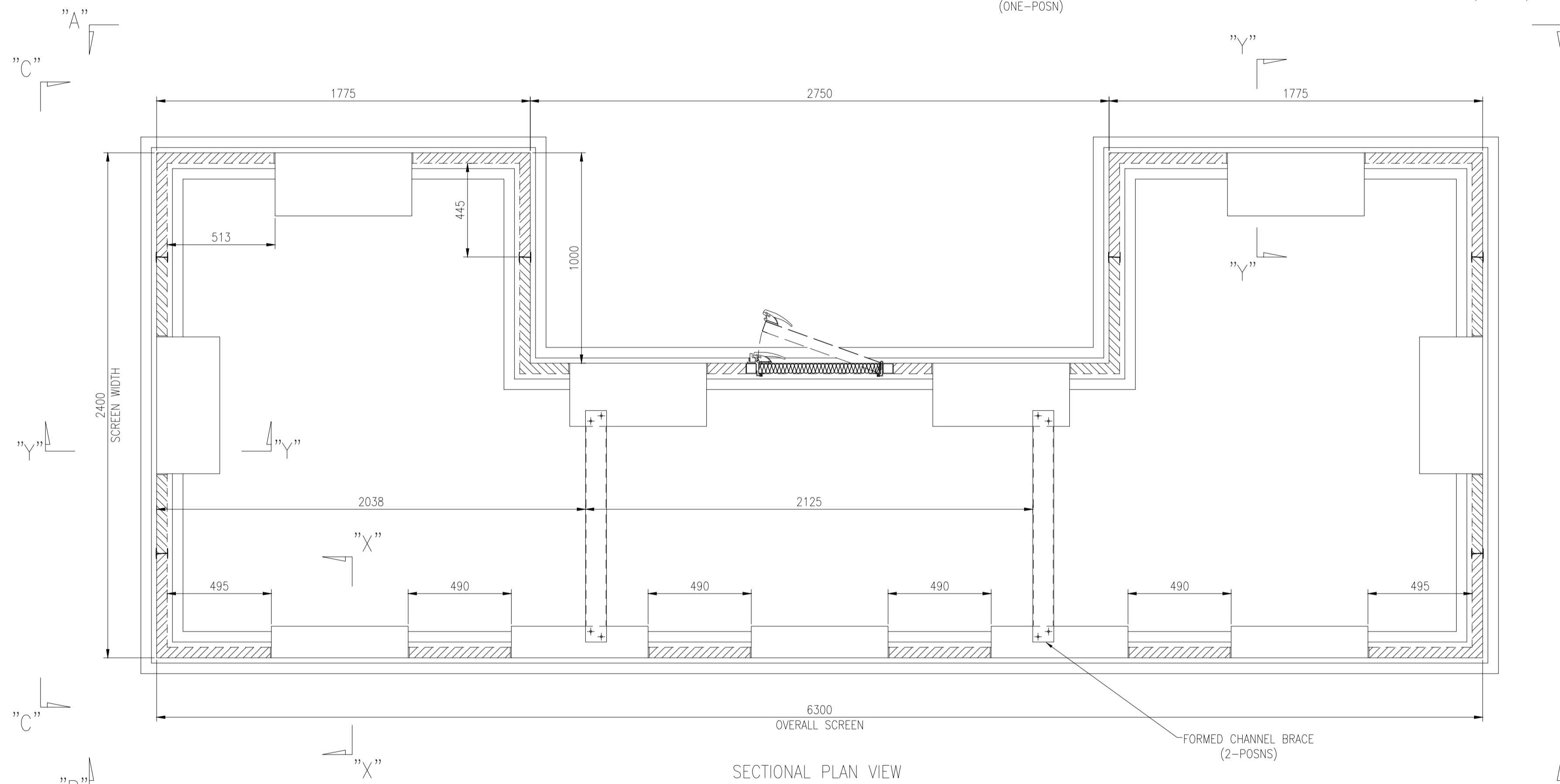
DETAIL "Z"
(8-SIDES)
SCALE: 1:5



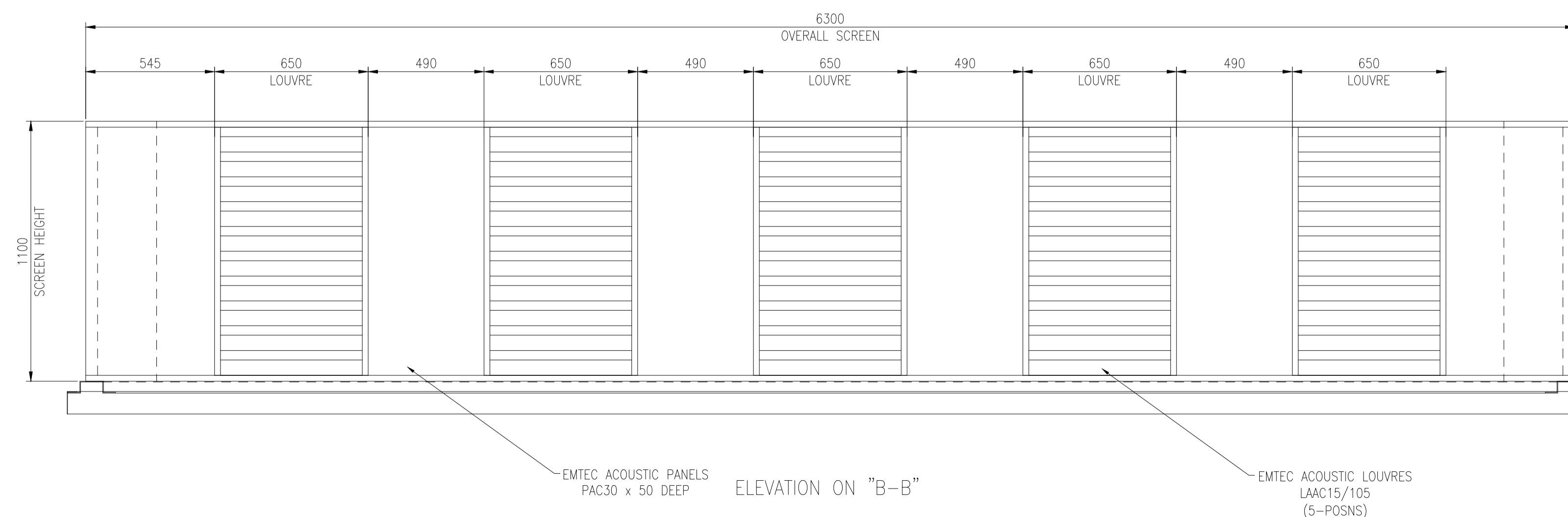
ELEVATION ON "A-A"



ELEVATION ON "C-C"



SECTIONAL PLAN VIEW



ELEVATION ON "B-B"

ONE - ACOUSTIC SCREEN REQ'D
FINISH:- PANELS & LOUVRES:- P.P.C RAL (T.B.C)
UNDERSIDE STEELWORK:- P.P.C RAL (T.B.C)

Note :-
This drawing must not be scaled. All dimensions and levels must be checked on site and any discrepancies reported to the designers prior to manufacture.
This drawing is the copyright of Emtec Products Ltd. It can be used only by this client and on this project as shown in the title block below.

00	FIRST ISSUE	29.07.19
no.	issued	date

FOR REVIEW



Unit 1, Turn Pike Way, High Wycombe, Buckinghamshire, HP12 3JF
TEL: 020 8848 3031 www.emtecproducts.co.uk

Drawing Title
ACOUSTIC SCREEN
GENERAL ARRANGEMENT

Project
20-21 KINGS MEWS

Client
D.D.C LIMITED

File no.	Date	Works No.	Quality level
QF8945	29.07.19	PF6534	
Scale	Drawn By	Design Auth	Approved
1:16	RAF		

Drawing number	Rev
QF8945-GA-01	00