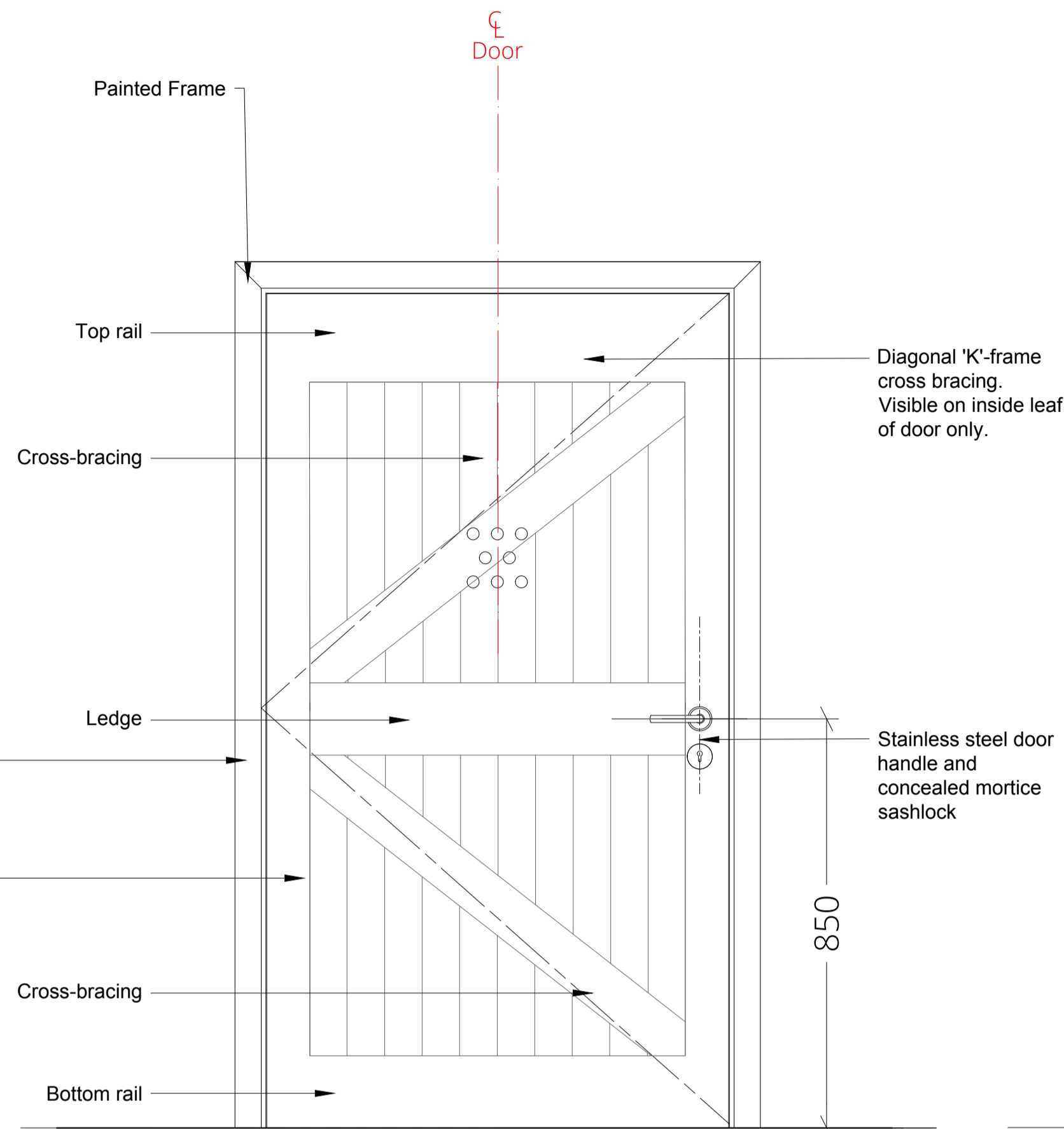
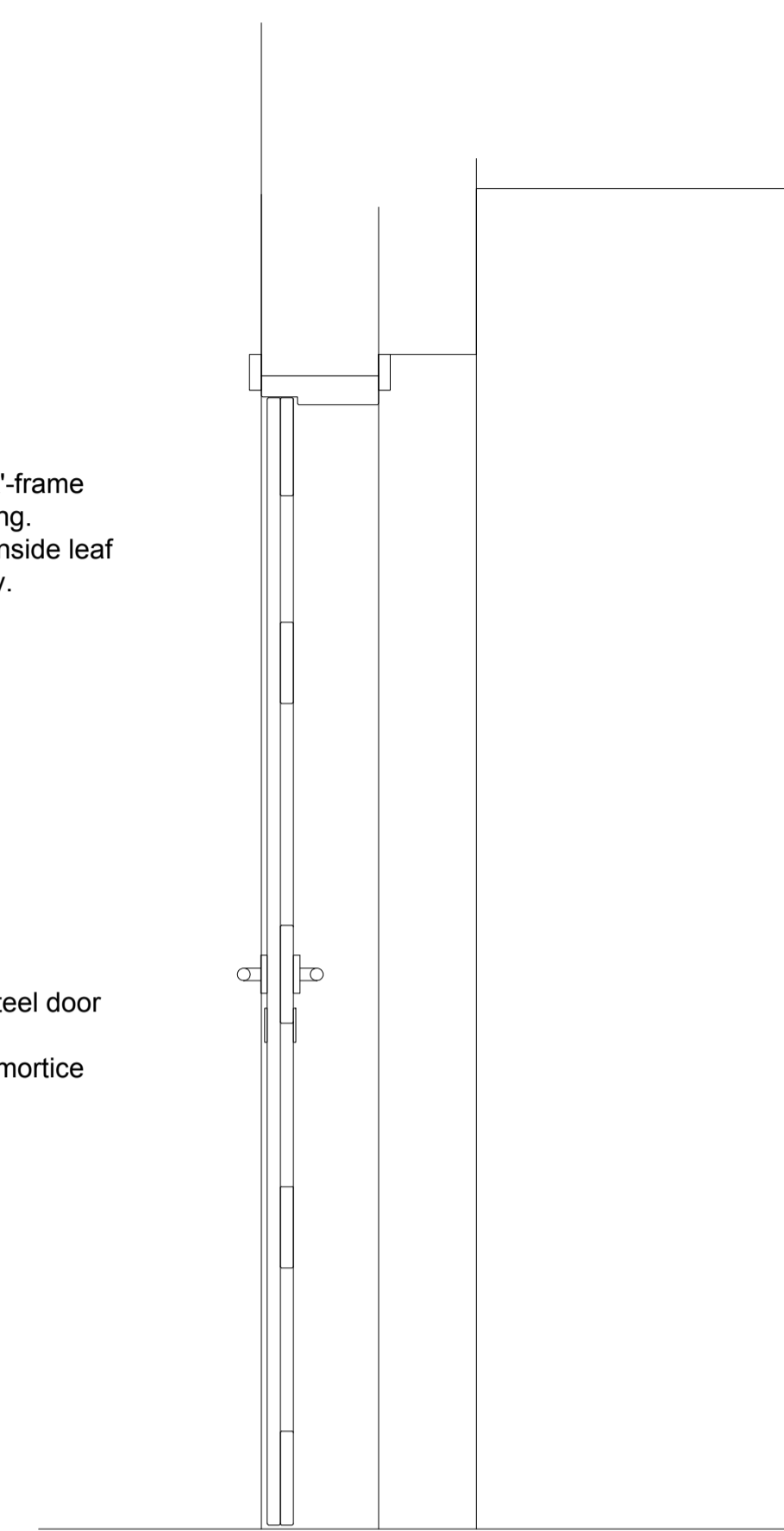


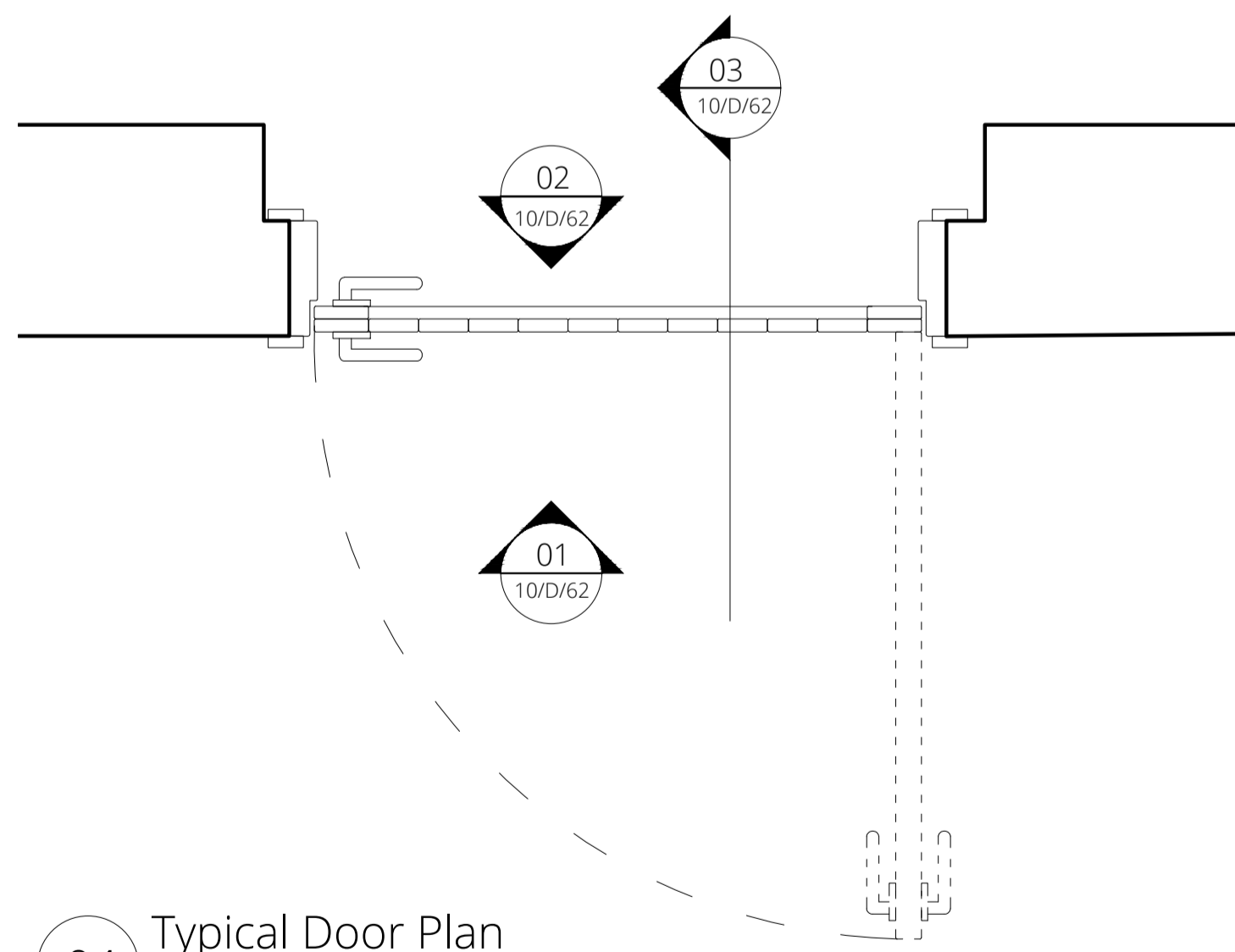
01 Typical Door External Elevation



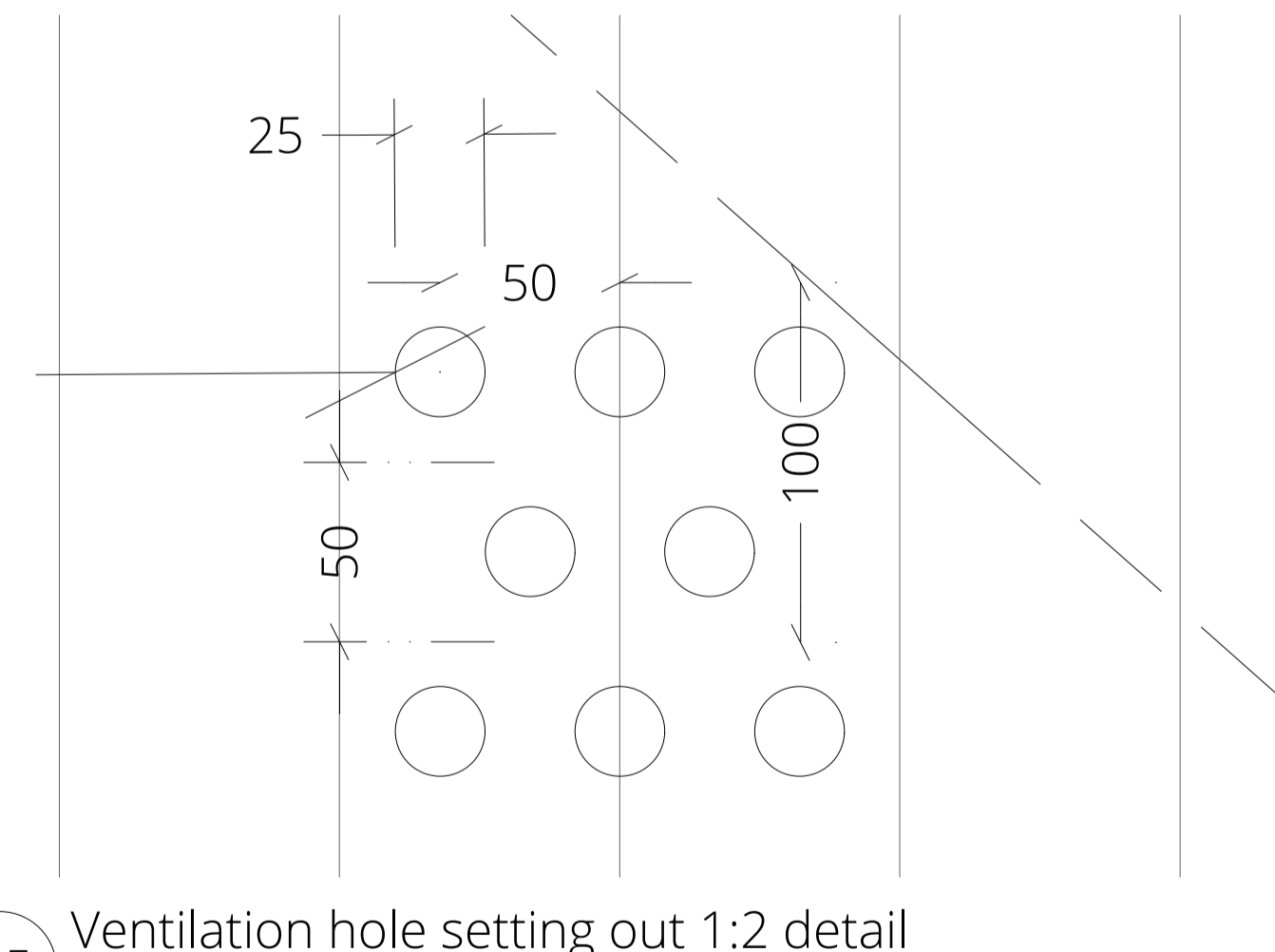
02 Typical Door Internal Elevation



03 Typical Door Section



04 Typical Door Plan



05 Ventilation hole setting out 1:2 detail

NOTES:

Door References:

41\_LG\_D19  
41\_LG\_D20

42\_LG\_D02  
42\_LG\_D23  
42\_LG\_D24  
42\_LG\_D25

43\_LG\_D01  
43\_LG\_D03  
43\_LG\_D04  
43\_LG\_D05

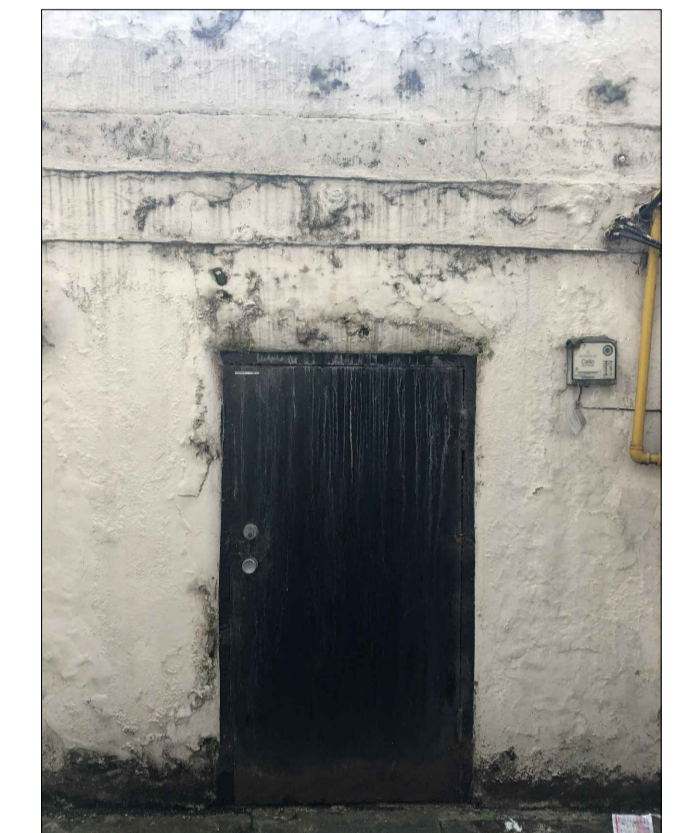
Door locations Highlighted in red on key plan below

Door numbers listed refer to door numbers also referenced in approved planning & LBC drawings

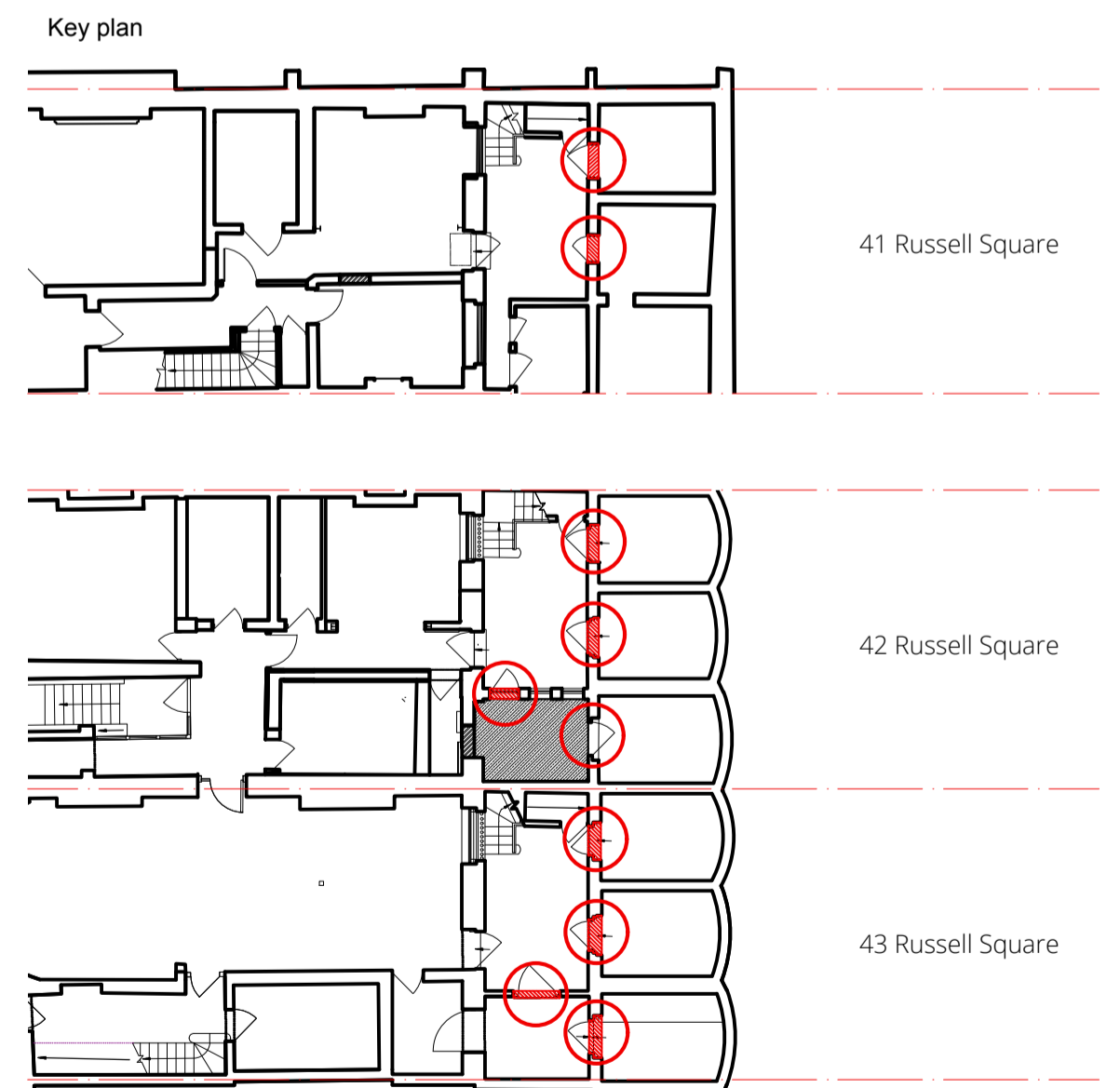
Painted, Ventilated barn style doors to the vaults.



Typical blocked vault opening



Typical vault door



FOR PLANNING & LBC DISCHARGE OF CONDITIONS

**Project Ref:** 41-43 RUSSELL SQUARE - BRITISH MUSEUM  
**Subject:** External Painted Ventilated Barn-style doors to Basement Vaults  
**Drwg No.:** RS\_10\_D\_64  
**Scale:** 1:10

**Rev.:** -  
**Original sheet size:** A1

Date	Revision	Description
4 March 2020	/	Discharge of planning & LBC Conditions

