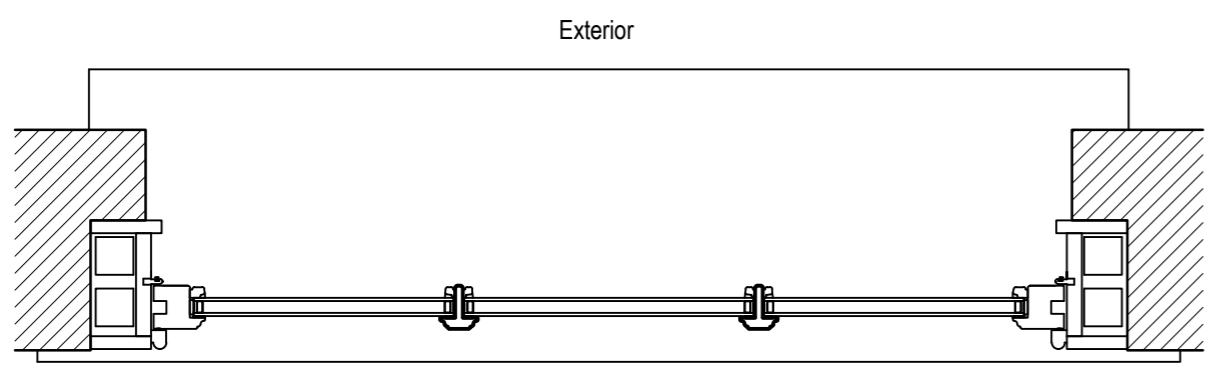
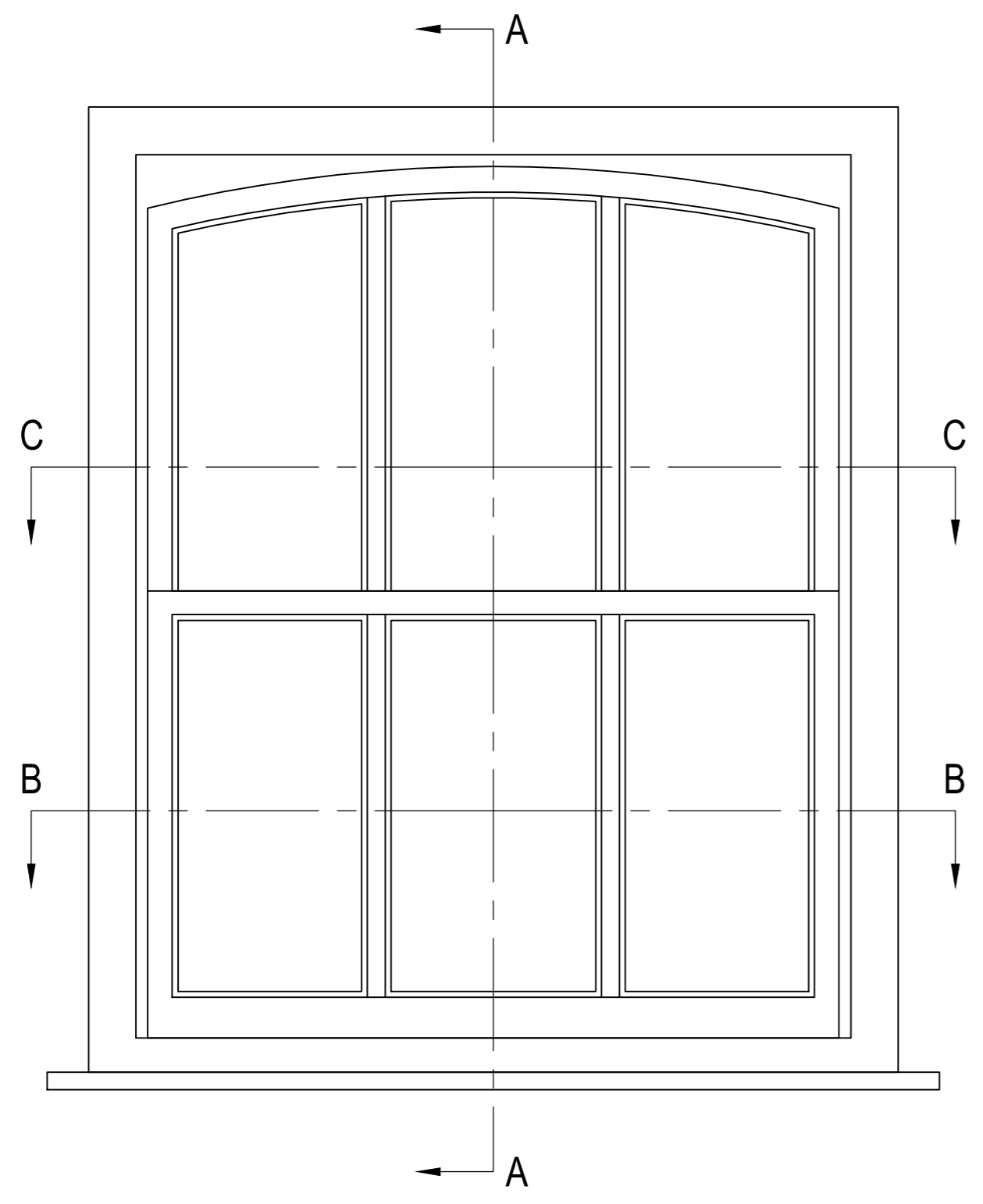


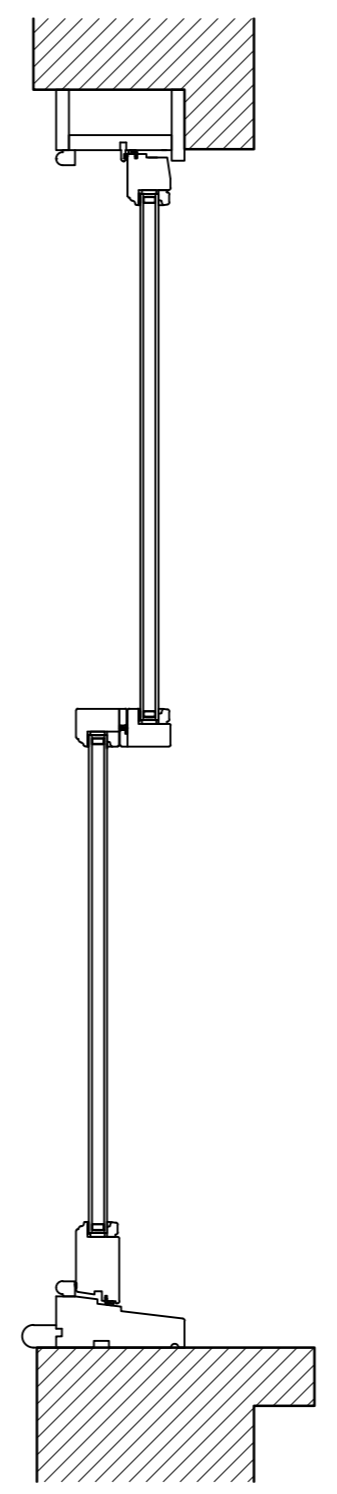
Section C-C



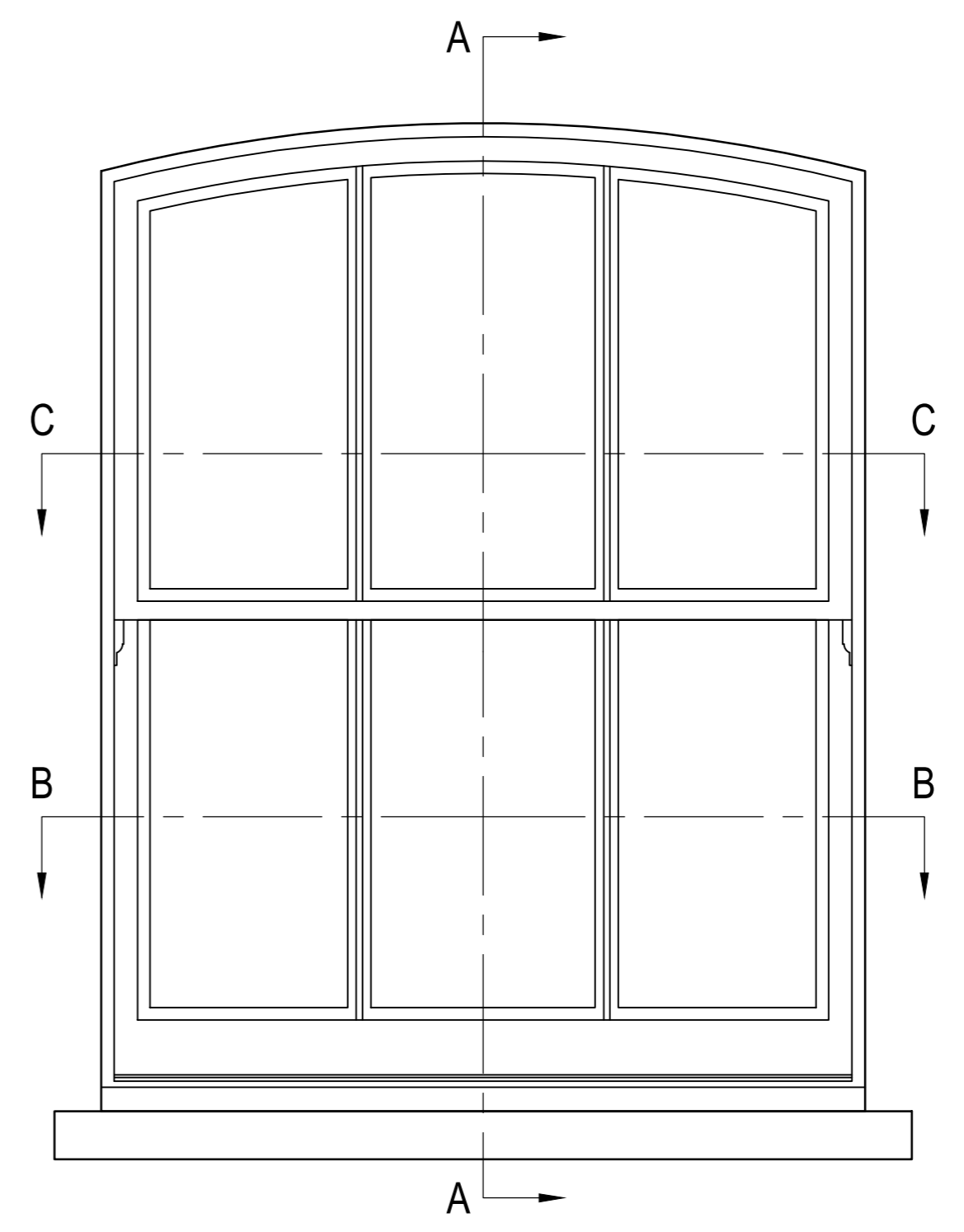
Section B-B



Internal Elevation



Section A-A



External Elevation

**NOTES:**  
 Report all discrepancies, errors and omissions  
 Do not scale from this drawing.  
 Verify all dimensions on site before commencing any work or preparing shop drawings.  
 All materials, components and workmanship are to comply with all the relevant British Standards, Codes of Practice, and appropriate manufacturers recommendations that from time to time shall apply.  
 For all specialist work, see relevant drawings.  
 This drawing and design are copyright of PELLINGS LLP

**PRELIMINARY**

Rev	Date	Description	Name	Pelings		Pelings LLP Northside House Mount Pleasant Barnet EN4 9EB t 020 8441 8500 f 020 8441 4016 e barnet@pellings.co.uk www.pellings.co.uk		Architects & Planning ■ Building Surveying ■ Project Management ■ Cost Consultancy ■ CDM Co-ordination			
						CLIENT	PROJECT				
						LONDON BOROUGH OF CAMDEN		1-4 Streatley Flats, Streatley Place, London NW3 1HR.			
						TITLE	DATE	SCALE	DRAWN	CHK	JS
						As Proposed	07/02/20	1:10 @A2	MV		
						DRAWING NO.	510 062 204				