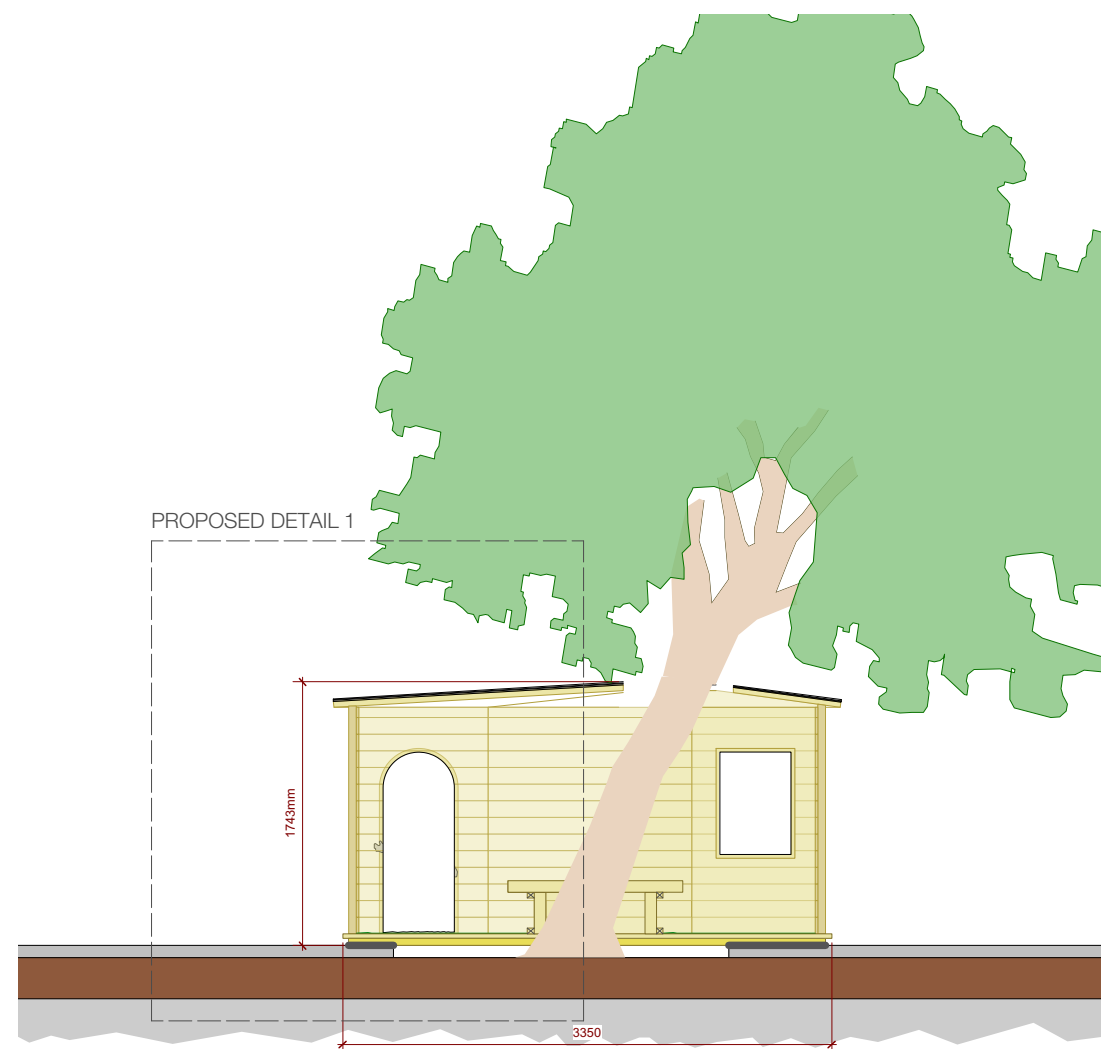
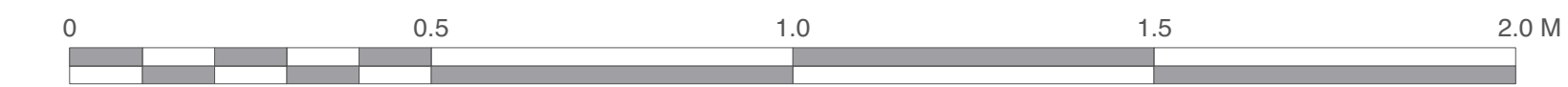


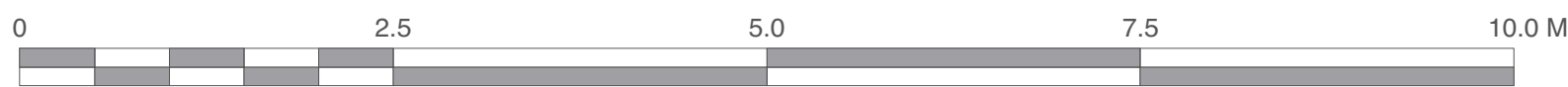
**PROPOSED ELEVATION AA**  
(1:50 @ A2)



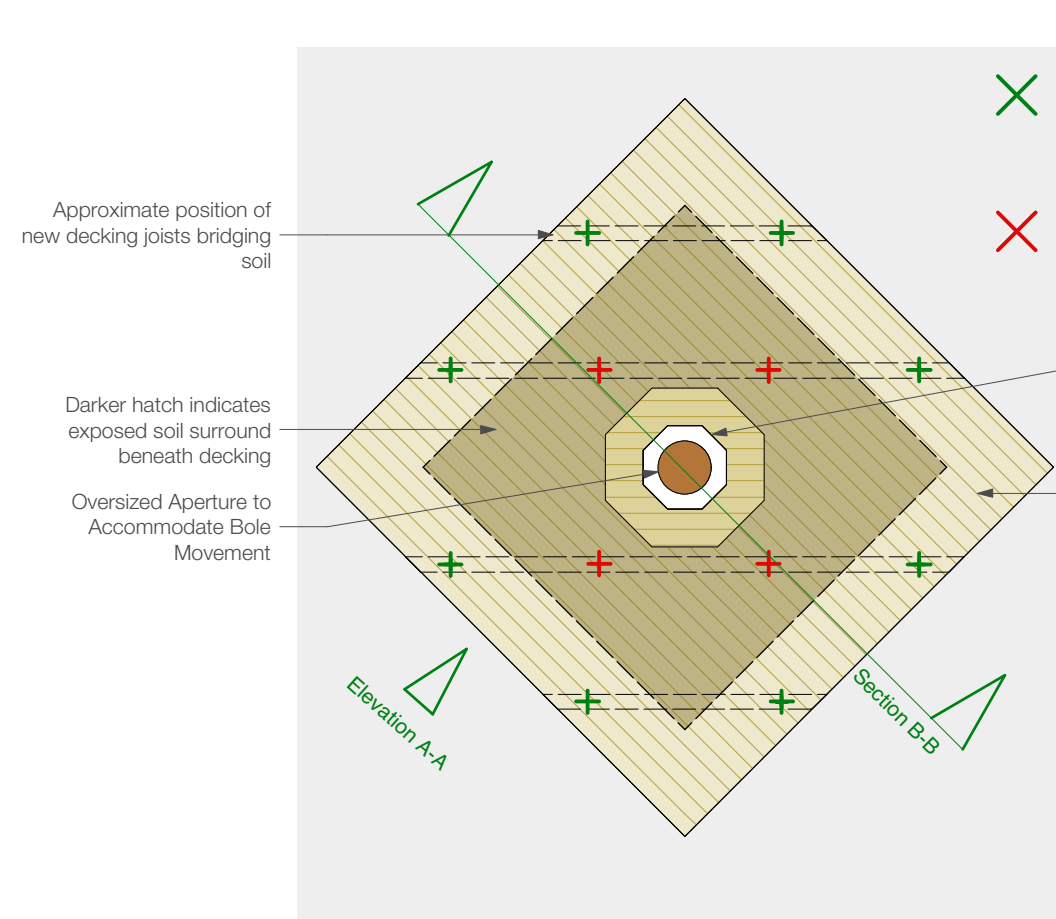
**PROPOSED SECTION BB**  
(1:50 @ A2)



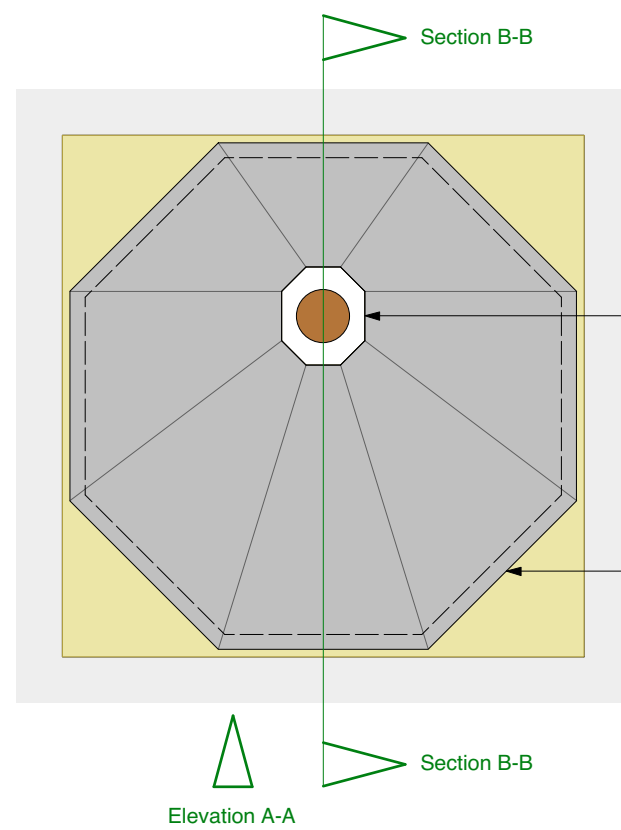
Scale 1:10 @ A2



Scale 1:50 @ A2



**PROPOSED FLOOR PLAN**  
(1:50 @ A2)



**PROPOSED ROOF PLAN**  
(1:50 @ A2)

- KEY**
- ✕ Decking screw fixed into timber joists.
  - ✕ Joists screw fixed to paving slabs via 'bat' restraint straps.
  - ✕ Decking screw fixed into joists beneath.

Treated Softwood Benchings Fixed to Decking

Decking Boards

18mm Marine Plywood Roof Deck

Treated Softwood Feather Edge Exterior Cladding

Treated Softwood Structure

Treated Softwood Shiplap Rebated Cladding Internally

Treated softwood benching around bole fixed through decking only

Leisure Grass Floor Finish

Tanalised Decking Board

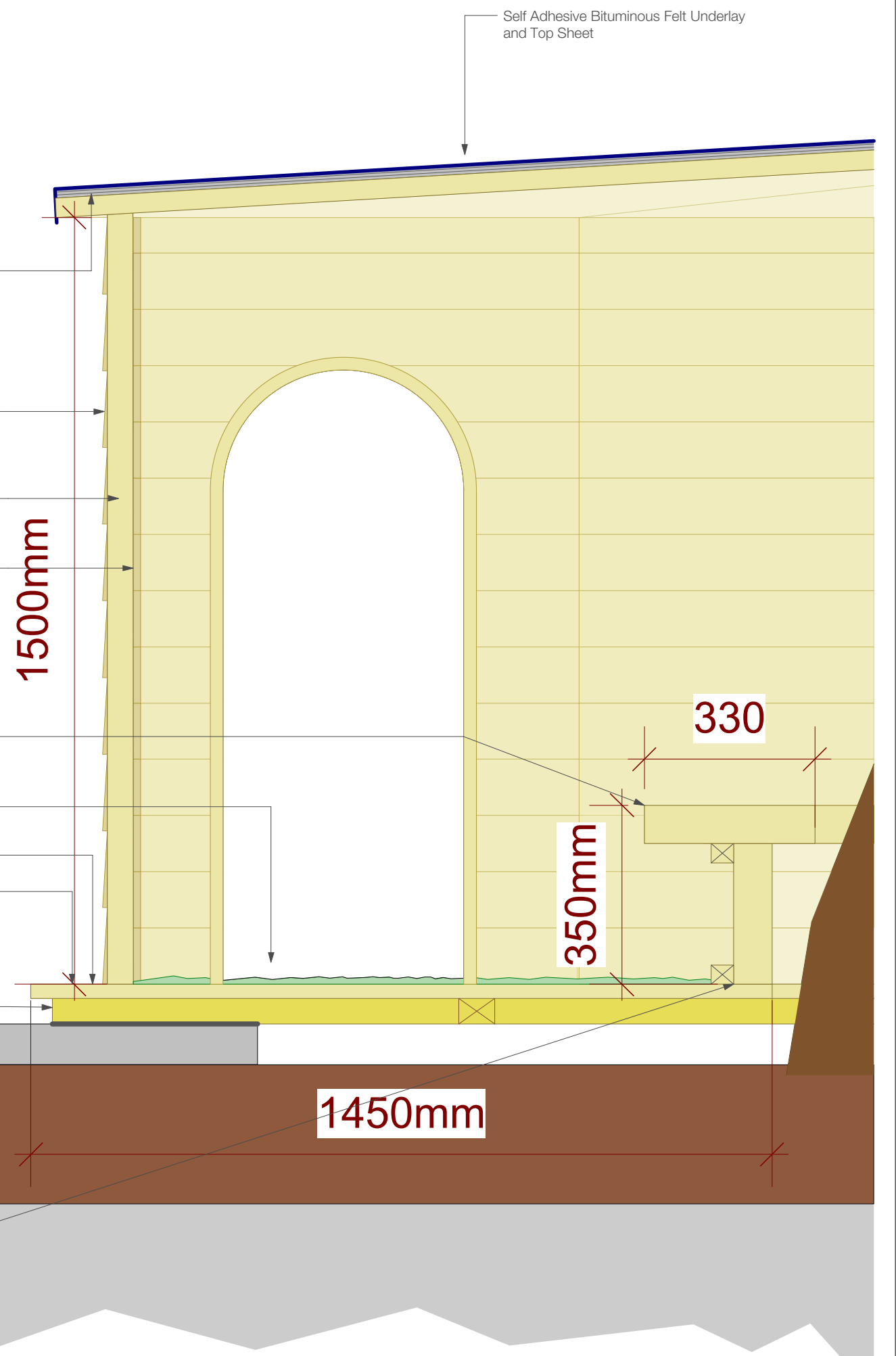
Joists screwed down to paving slabs with 'bat' restraint straps.  
Note: No requirement for fixings to be near the bole or roots.

Oversized Aperture to Accommodate Bole Movement

Bituminous Felt Flat Roof Covering

NO FIXINGS INTO OR AROUND THE BOLE.

Softwood step to be fixed directly into the decking.



**PROPOSED DETAIL 1 SECTION BB**  
(1:10 @ A2)

**Kendall Kingscott**

Chartered Architects  
Chartered Building Surveyors  
Interior Designers  
CDM Services

55-59 Gordon Square  
Day Nursery  
University College London

P2 26/02 DG KS Updated for Planning Approval  
Rev. Date By Ap. Note

Section and Details  
Tree House

Project Number Drawing Number Revision  
**190775-5400 P2**

Date Drawn Checked By  
26/02/20 DG KS PLANNING

Scale Paper Size Plotting  
1:50 A2 190775.lvx  
1:10 © Copyright Do not scale the drawing  
Check all dimensions and levels are OK

Do not use on the job for which designed. The drawings hereon are of a preliminary nature and are subject to change without notice. The client and contractor shall be held liable for any errors or omissions. © Kendall Kingscott. The drawings hereon are of a preliminary nature and are subject to change without notice. The client and contractor shall be held liable for any errors or omissions.