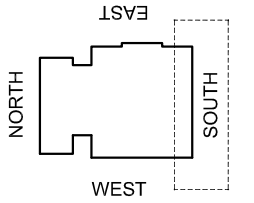


CDM Regulations

Hazards	Date Added	Date Mitigated	Risk Assessment Date
HEAVY GLASS - LOADS INDICATED	05/02/15		



KEY PLAN

DESIGN NOTES: Technical Report list:

DOCUMENT TITLE	Doc Number	CONJECT Number
Facade Design & Glass Risk Assessment	3135-TR003	KXC-S1-001-Y-21-TR003
Glass Technical report	3135-TR004	KXC-S1-001-Y-21-TR004
Technical data for HBB fire stop details	3135-TR005	KXC-S1-001-Y-21-TR005
Material data sheet report	3135-TR006	KXC-S1-001-Y-21-TR006
Door schedule & Operation information	3135-TR007	KXC-S1-001-Y-21-TR007
Facade Airborne Acoustic report	3135-TR008	KXC-S1-001-Y-21-TR008
Facade Vertical & Horizontal Acoustic report	3135-TR009	KXC-S1-001-Y-21-TR009
Accommodation of structural movement	3135-TR012	KXC-S1-001-Y-21-TR012
Halfen channel & Stab edge design	3135-TR013	KXC-S1-001-Y-21-TR013
Thermal Safety Check on Glass	3135-TR022	KXC-S1-001-Y-21-TR022

DO NOT SCALE : IF IN DOUBT ASK!

THIS DRAWING REMAINS THE PROPERTY OF McMULLEN FACADES LTD AND SHOULD NOT BE COPIED NOR ITS CONTENTS DIVULGED WITHOUT PRIOR CONSENT

Signed: S.Patterson
Date: 04-05-2018
Internal Quality Check

THERMAL REPORT FOR GROUND FLOOR SOUTH ISSUED 25/01/2019 (KXC-S1-001-Y-3135-904-TR203)

No.	Intd	Intd	Date	Description	Date
002	CC	CC	26-02-19	STONE SIZE AMENDED ISSUE FOR CONSTRUCTION	26-02-19
001	DR	GB	07-12-18	SECOND ISSUE	07-12-18
000	SP	SP	04-05-18	FIRST ISSUE	04-05-18

Contract: KINGSCROSS S1

Architect: MOSSISSIAN

Main Contractor: BAM

Drawing: SOUTH ELEVATION GND - 2ND FLOOR ELEVATIONS, SECTIONS, PLANS & DETAILS

Drawn By: SPatterson Date: 04-05-2018

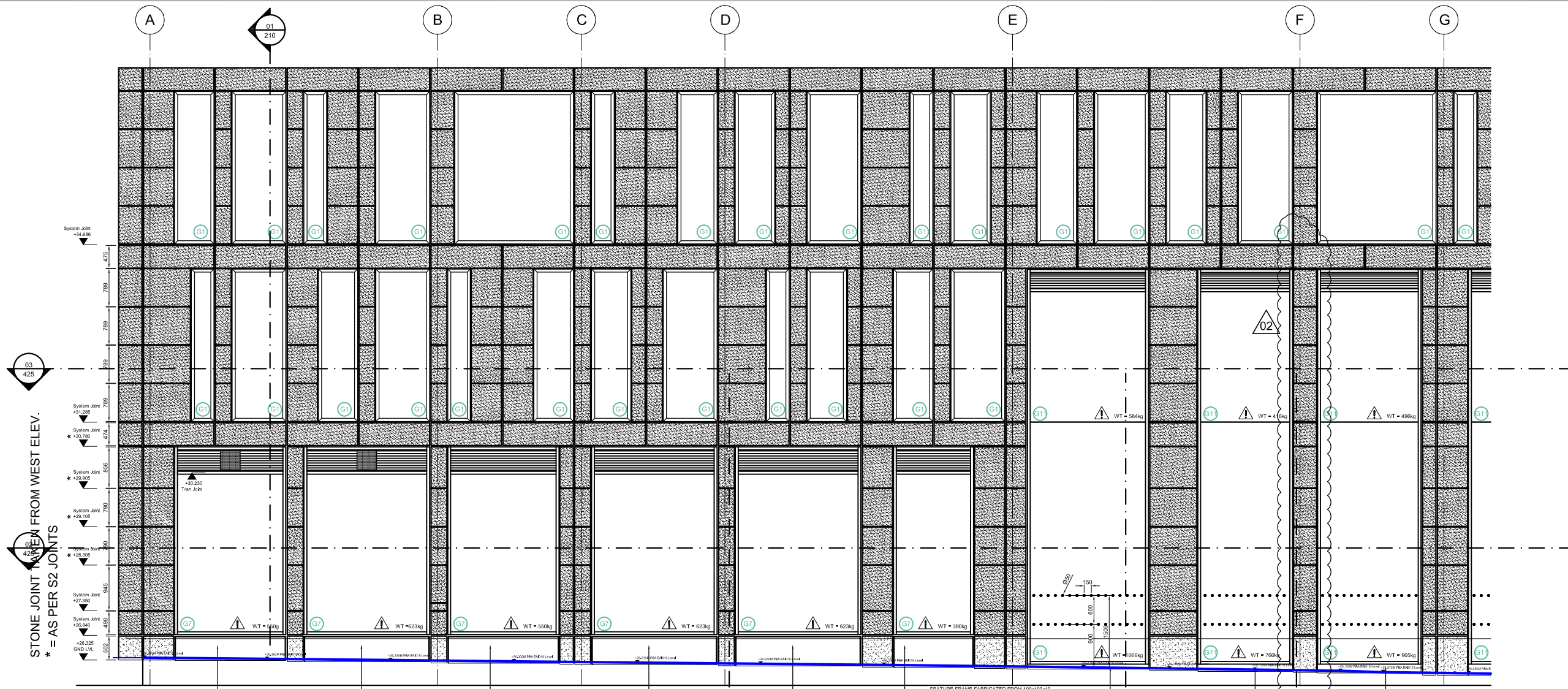
Scale: N.T.S.@A1 MFL No.: 3135-425

DMS Code: KXC-S1-001-Y-3135-21-425 Revision: 002

DRAWING ISSUED FOR: STATUS OF PREVIOUS RETURN

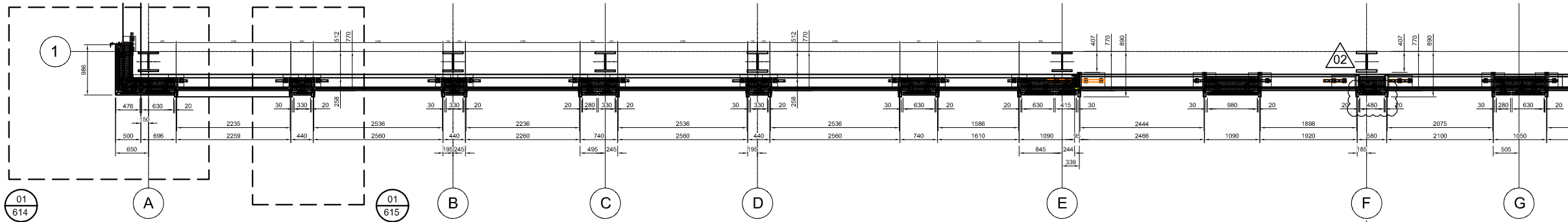
CONSTRUCTION A (B) C -

McMullen Facades Limited
66 Lurgan Road, Moira,
Craigavon, Co. Armagh BT67 0LX
Tel: +44 (0) 28 9261 9688
Fax: +44 (0) 28 9261 9711
Email: design@mcullenfacades.com

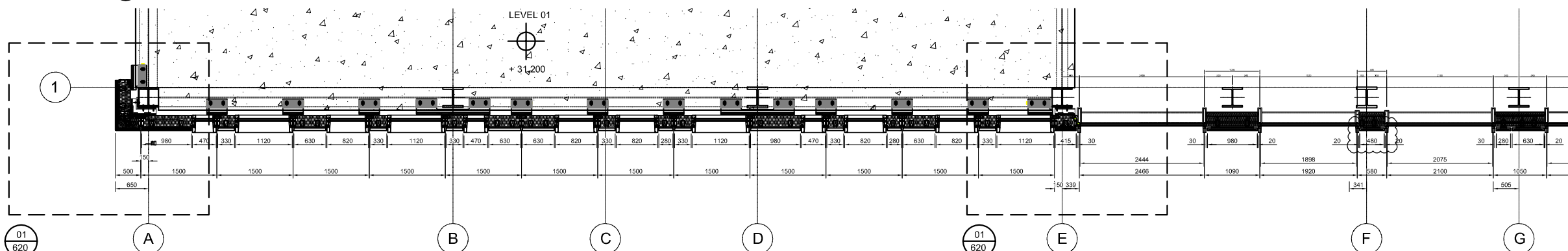


1 South Elev. GND Floor Screens
Scale: 1:50

IMPORTANT
MANIFESTATION 50mm Ø OPAQUE DOTS
! = 250kg or OVER



2 Level 00 Plan Section
Scale: 1:50



3 Level 01 Plan Section
Scale: 1:50