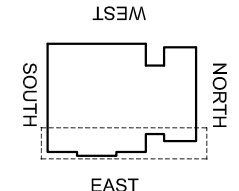


**CDM Regulations**

Hazards	Date Added	Date Mitigated	Risk Assessment Date
HEAVY GLASS - LOADS INDICATED	05/02/15		



**KEY PLAN**

**DESIGN NOTES: Technical Report list:**

DOCUMENT TITLE	Doc Number	CONJECT Number
Facade Design & Glass Risk Assessment	3135-TR003	KXC-S1-001-Y-21-TR003
Glass Technical report	3135-TR004	KXC-S1-001-Y-21-TR004
Technical data for HBI fire stop details	3135-TR005	KXC-S1-001-Y-21-TR005
Material data sheet report	3135-TR006	KXC-S1-001-Y-21-TR006
Door schedule & Operation Information	3135-TR007	KXC-S1-001-Y-21-TR007
Facade Airborne Acoustic report	3135-TR008	KXC-S1-001-Y-21-TR008
Facade Vertical & Horizontal Acoustic report	3135-TR009	KXC-S1-001-Y-21-TR009
Accommodation of structural movement	3135-TR012	KXC-S1-001-Y-21-TR012
Halfen channel & Slab edge design	3135-TR013	KXC-S1-001-Y-21-TR013
Thermal Safety Check on Glass	3135-TR022	KXC-S1-001-Y-21-TR022

**DO NOT SCALE : IF IN DOUBT ASK!**

**© THIS DRAWING REMAINS THE PROPERTY OF McMULLEN FACADES LTD AND SHOULD NOT BE COPIED NOR ITS CONTENTS DIVULGED WITHOUT PRIOR CONSENT**

Signed:	S.Patterson	Internal Quality Check
Date:	05/06/2018	

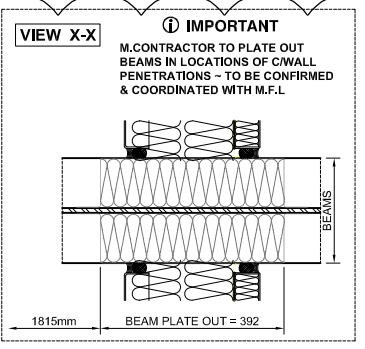
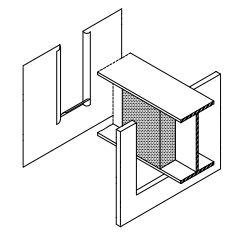
No.	Intd	Date	Description	Date	
002	DR	GB	04-03-19	ALL COMMENTS RECEIVED - FOR CONSTRUCTION ISSUE	04-03-19
001	DR	GB	14-01-19	SECOND ISSUE	14-01-19
000	MJ	MJ	05-06-18	FIRST ISSUE	05-06-18

Contract:	KINGSCROSS S1
Architect:	MOSSISSIAN
Main Contractor:	BAM
Drawing:	EAST ELEVATION GND FLOOR BAY STUDY DETAILS
Drawn By:	M.Jess
Date:	05/06/2018
Scale:	N.T.S.@ A3
MFL No.:	3135-540
DMS Code:	KXC-S1-001-Y-3135-21-540
Revision:	002

DRAWING ISSUED FOR:	STATUS OF PREVIOUS RETURN
<b>CONSTRUCTION</b>	<b>A B © -</b>

McMullen Facades Limited  
 66 Lurgan Road, Moira,  
 Craigavon, Co. Armagh BT67 0LX  
 Tel: +44 (0) 28 9261 9688  
 Fax: +44 (0) 28 9261 9711  
 Email: design@mcmullenfacades.com

**INSTALLATION NOTE:**  
 PLEASE SEE DWG: 3135-429  
 FOR ENLARGED SOFFIT SECTION  
 DETAILS



LEVEL 2 F.F.L.  
 +35.050

LEVEL 2 S.S.L.  
 +34.900

300mm SOLID CONCRETE EDGE  
 (Slab Edge Tolerance = 330 to 270)

140mm Slab edge Tolerance = 155 to 125

SYSTEM JOINT  
 +34.985

50 x 50 x 5mm ALUMINIUM  
 ANGLE SOFFIT SUPPORT  
 FIXED TO CONCRETE SLAB  
 USING HILTI HST-T M8x75 / 10

U/S OF FLOOR SLAB & BEAMS TO BE  
 INSULATED WITH 100mm THK ROCKWOOL  
 DUO SLAB. FIXED WITH HILTI IDP INSULATION  
 FASTENERS @ U/S SLAB & FIXFAST IH-110  
 ADHESIVE SPIKES TO U/S OF BEAMS.  
 INSTALLED TO MANUFACTURES  
 RECOMMENDATIONS

EXTERNAL INSULATED HEAD ALUM PANEL:  
 External: 3mm P.P.C ALUM SKIN  
 YN205E Matt 60microns INTERPON D2525 ~ CLASS 2  
 Core: 55mm ROCKWOOL RWA45 INSULATION  
 Internal: 0.9mm GALVANISED LINER TRAY

PANEL DESIGNED WITH 6x100mm SLOTS SPACED  
 AROUND THE GLAZING EDGE FOR GLAZING INTO THE  
 C/WALLING WITH THE USE OF SCHUCO CLIPS

**IMPORTANT**  
 ALL STRUCTURE HAS BEEN  
 CROSS-CHECKED WITH LATEST BIM MODEL

3mm ALUMINIUM SOFFIT  
 PRESSING FIXED TO ANGLE  
 SUPPORT WITH EJOT 5.5x25(9006)  
 PAINTED HEAD SCREWS RAL9006.  
 SOFFIT IS SILVER ANODISED (EV1)

SOFFIT LEVEL AS PER TENDER DRAWINGS  
 BAM TO REVIEW RFI ISSUED ON 20.07.18

**01 SOFFIT DETAIL**  
 Scale: N.T.S.@A3