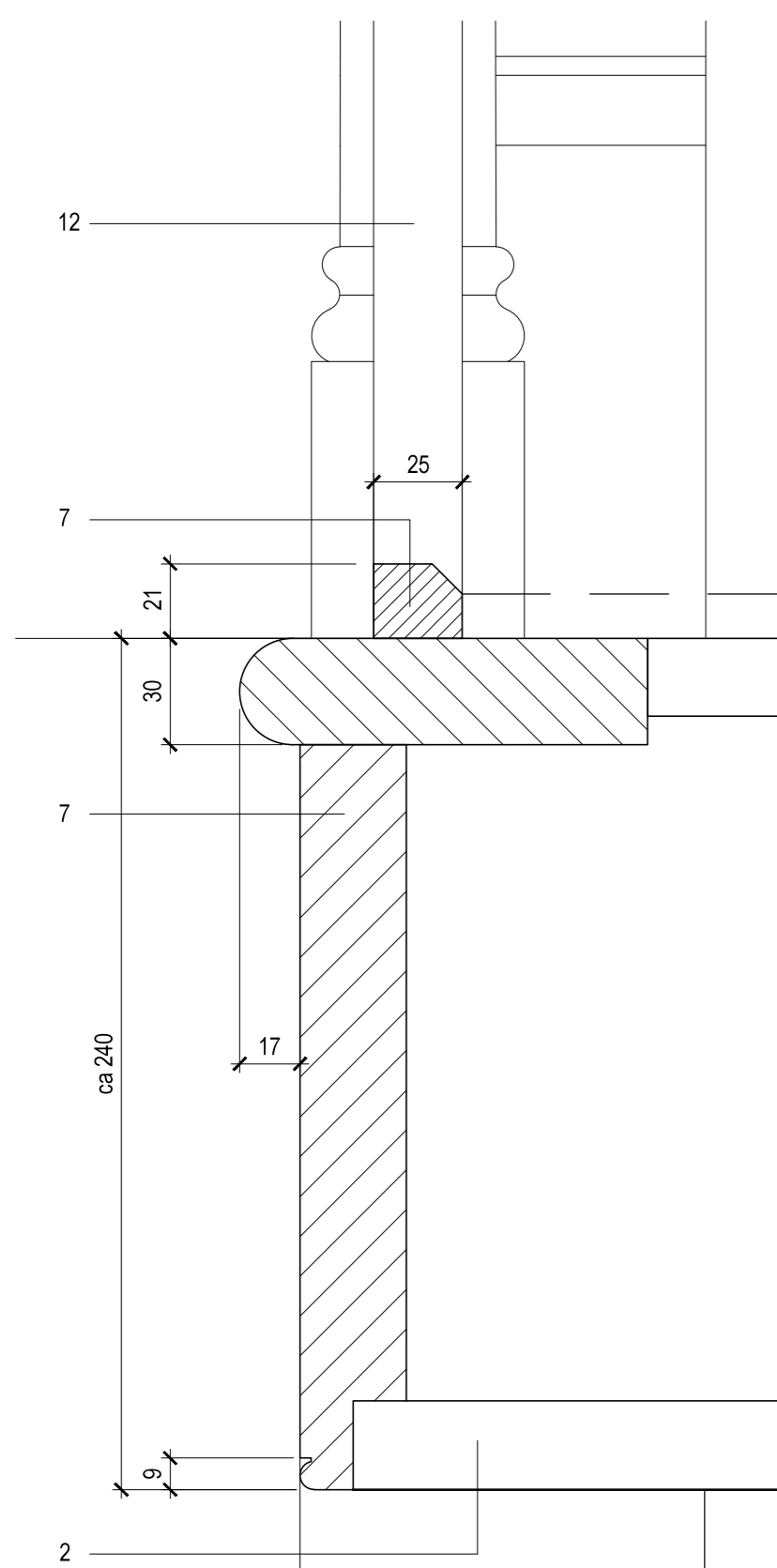
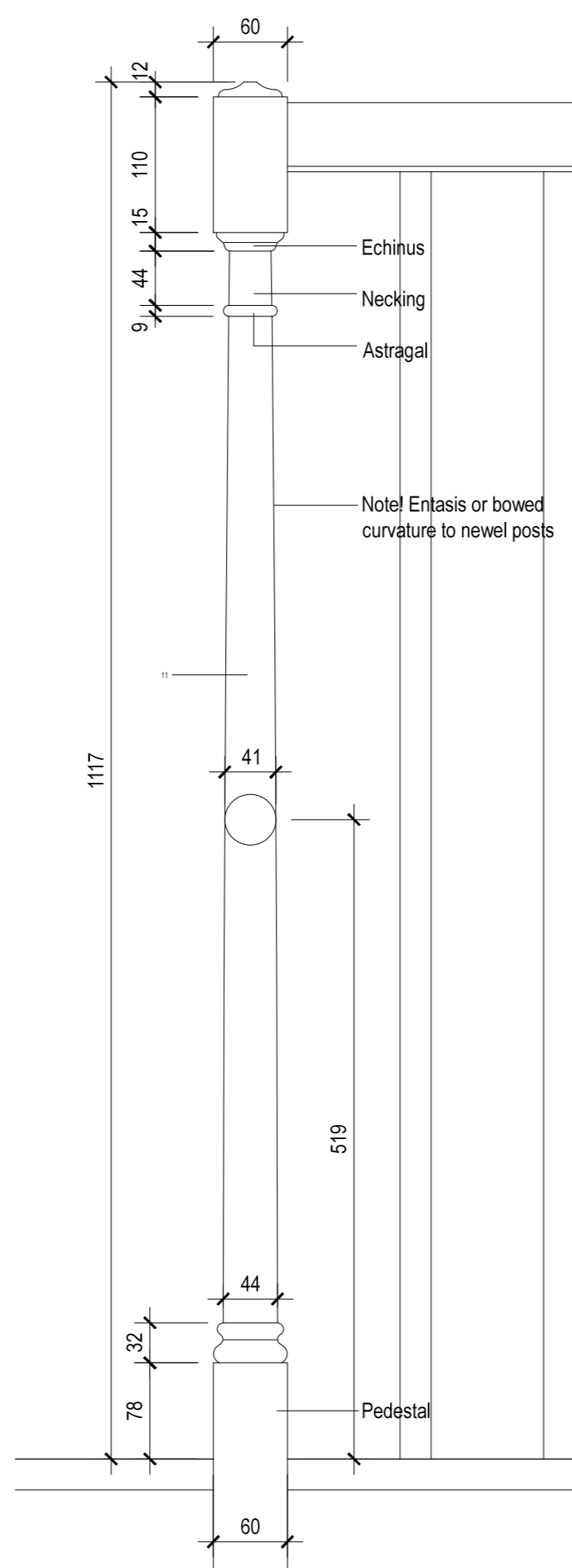


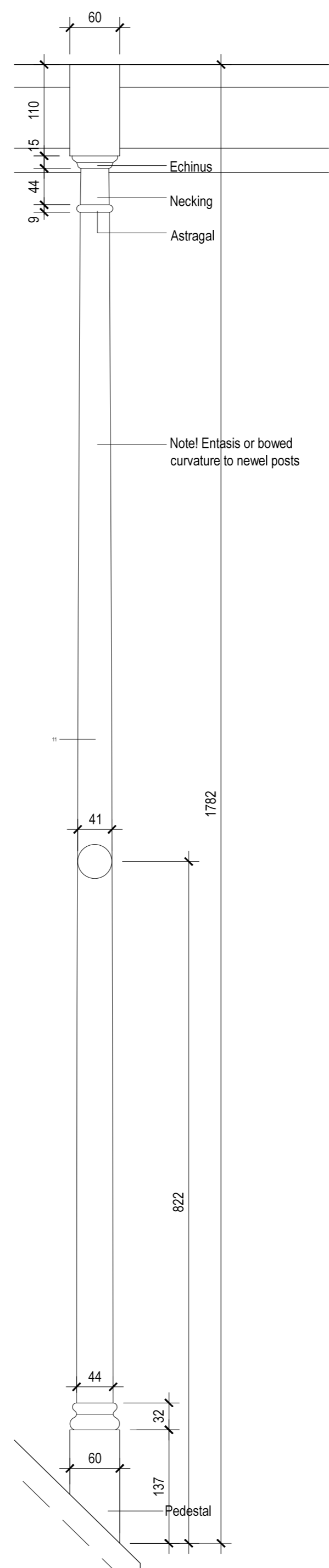
1 Stairs 2F-3F: Detail Sect Handrail
 24_600 S: 1:2



2 Stairs 2F-3F: Detail Sect 3F Landing Edge
 C4H_600 S: 1:2



3 Stairs 2F-3F: Balustrade Post
 C4H_600 S: 1:5



4 Stairs 2F-3F: Balustrade Post
 C4H_600 S: 1:5

NOTE:
 UNLESS INDICATED, THIS DRAWING IS FOR INFORMATION ONLY.
 DO NOT SCALE. USE FIGURED DIMENSIONS ONLY.
 ALL DIMENSIONS TO BE CHECKED ON SITE.
 IF IN DOUBT ASK

PLANNING

Drawing original size A1

REVISION:			REVISION:		
REV	DATE	NOTE	REV	DATE	NOTE
-	-	-			

NOTES:
 Refer to drawing 14113_24_600 for Key

CLIENT:

ANDREW LETT ARCHITECTS
 1 Eastfields Avenue, London SW18 1FQ
 T. +44(0)20 7486 6464 F. +44(0)20 7486 6467
 E. email@andrewlettarchitects.com

PROJECT NAME:
 19 Fitzroy Square

DRAWING TITLE:
 Internal Stair Details

SCALE:
 1:2, 1:5 @ A1

DATE:
 FEB 2020

DRAWN:
 PB

DRAWING:
 14113_PL_C4H_600

REV:
 -