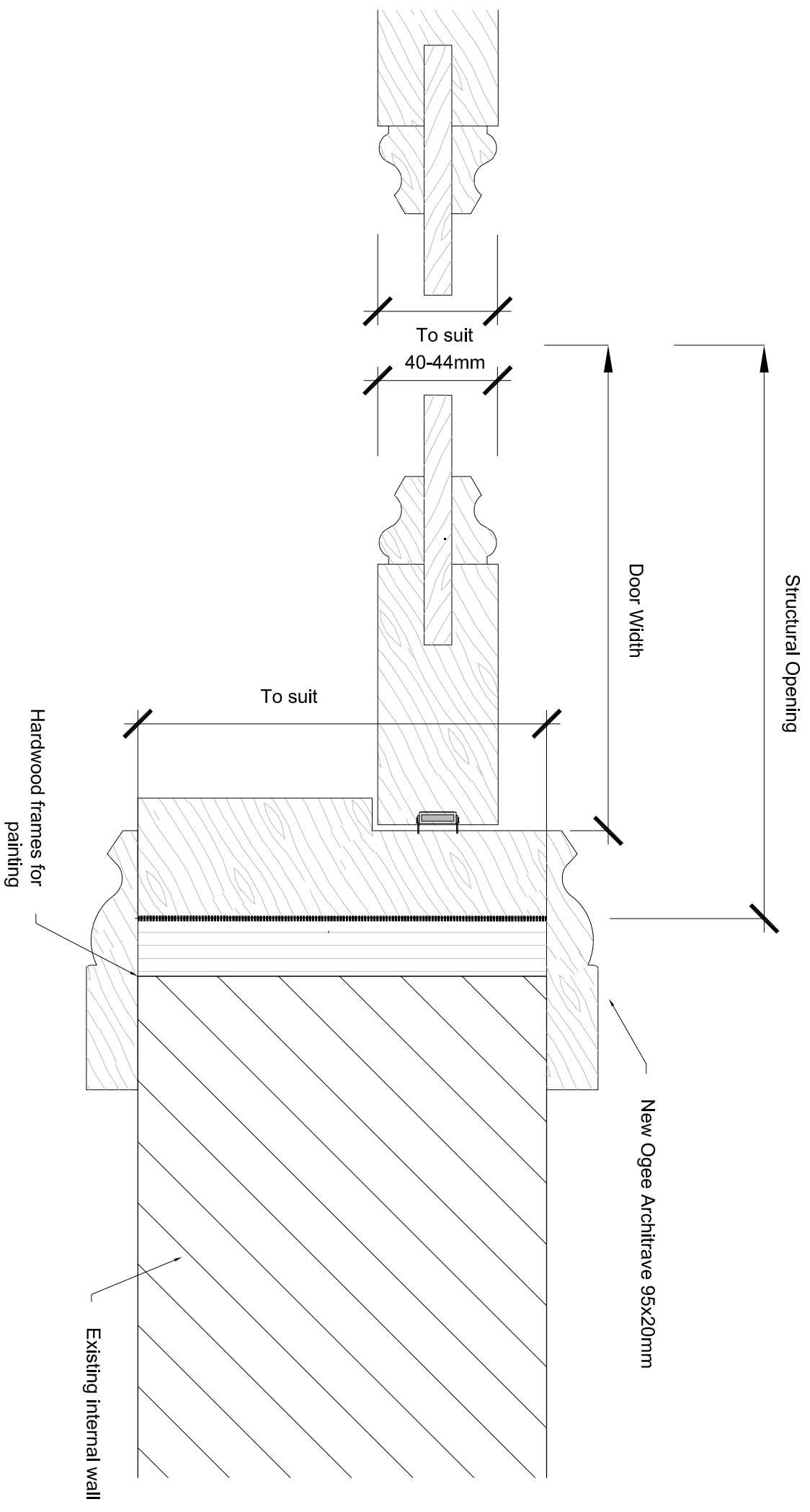


Ⓐ All new internal doors 1:10 @ A1



Ⓛ Detail of proposed architraves 1:1 @ A1

PLANNING CONDITIONS

THIS DRAWING IS NOT TO BE SCALED. ONLY FIGURED DIMENSIONS ARE TO BE FOLLOWED UNLESS THE DRAWING IS PART OF A PLANNING APPLICATION. CONTRACTORS ARE TO CHECK ALL DIMENSIONS BEFORE WORK COMMENCES, AND REFER ANY APPARENT DISCREPANCY TO THE ARCHITECT.
THIS DRAWING IS THE SOLE PROPERTY OF MR PARTNERSHIP LIMITED, AND MAY NOT BE COPIED OR REPRODUCED IN ANY MANNER WHATSOEVER WITHOUT THE OWNERS' WRITTEN CONSENT. (c) COPY RIGHT.

PROJECT 21
Warren Street
London W1
DRAWING Condition E
Proposed Internal
Door Schedule 3rd Floor

CH+MRP
ARCHITECTS

41-42 FOLEY STREET, LONDON W1W 7TS
T: +40 207 253 2526 / +0207 631 5463
E: mail@ch+mrp.com / info@mrpartners.co.uk
www.ch+mrp.com / www.mrpartners.co.uk

DATE:	27/02/2020	SCALE:	SEE DWG	DRAWN:	GMF
DWG No:	3213_088	REV. No:	/		

FILE: 3213_088-088 Proposed Internal Door Schedule Page 1.dwg