



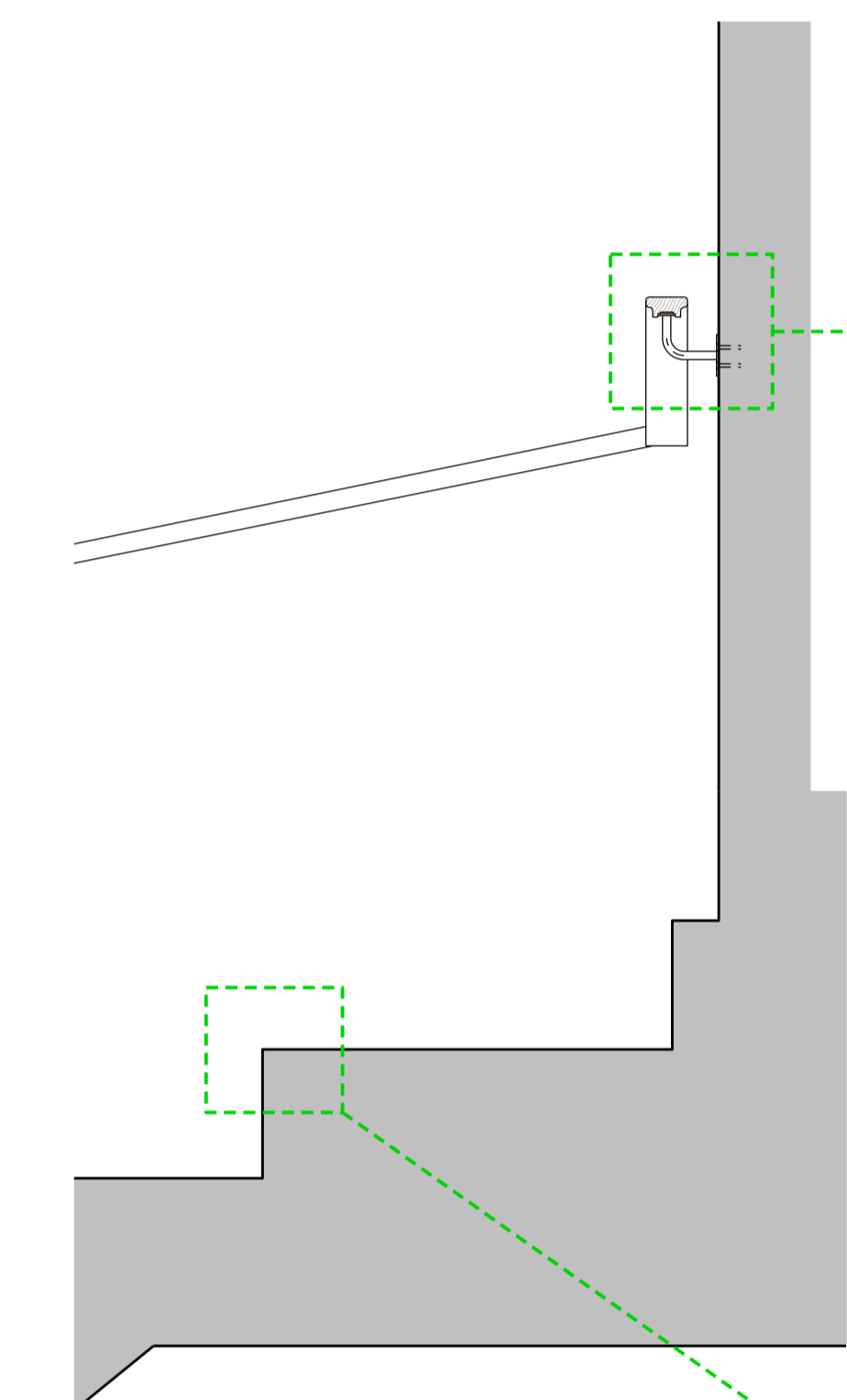
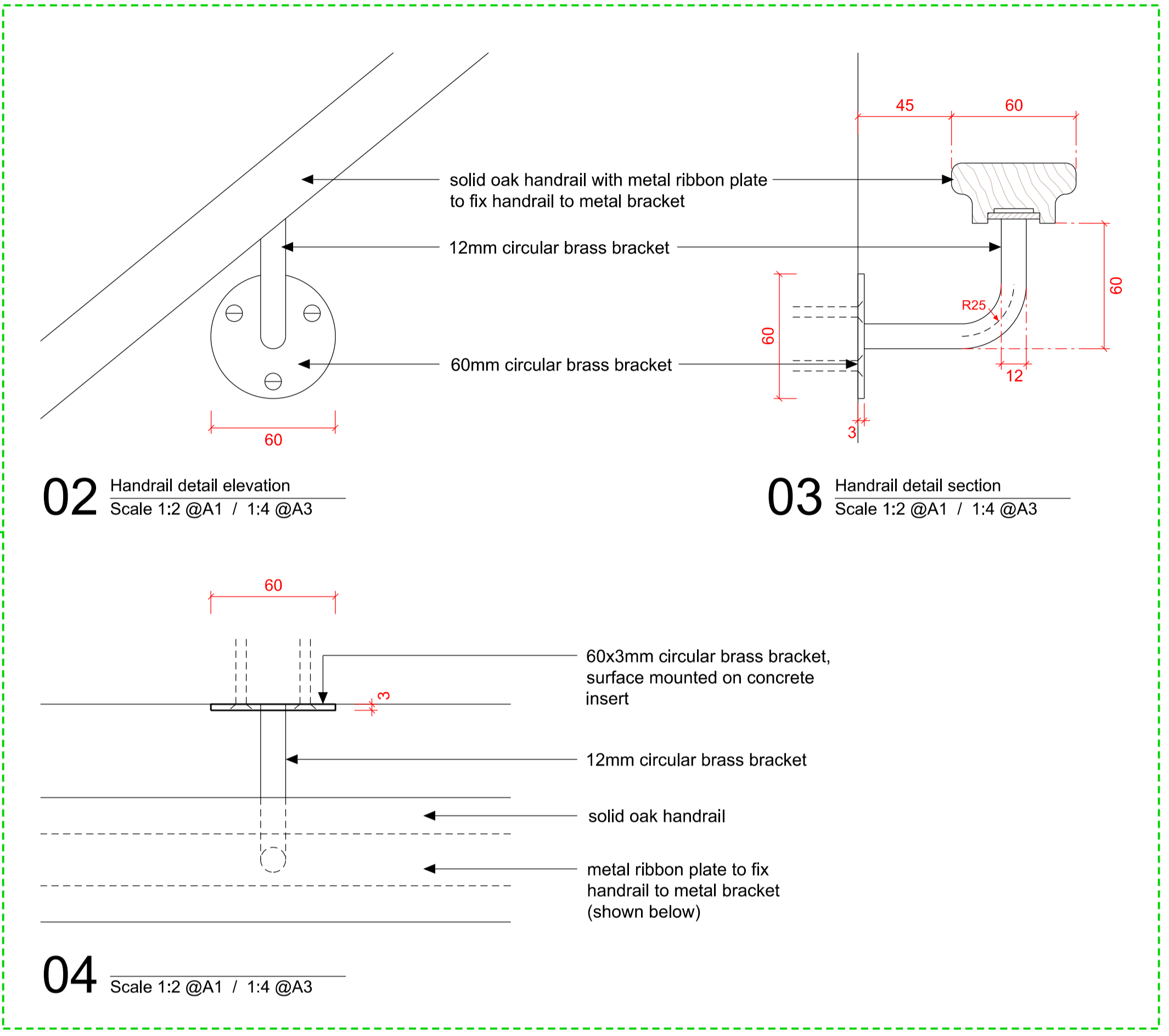


- Key:
-  Stone/Concrete
 -  Timber
 -  Brass
 -  Entrance Matting

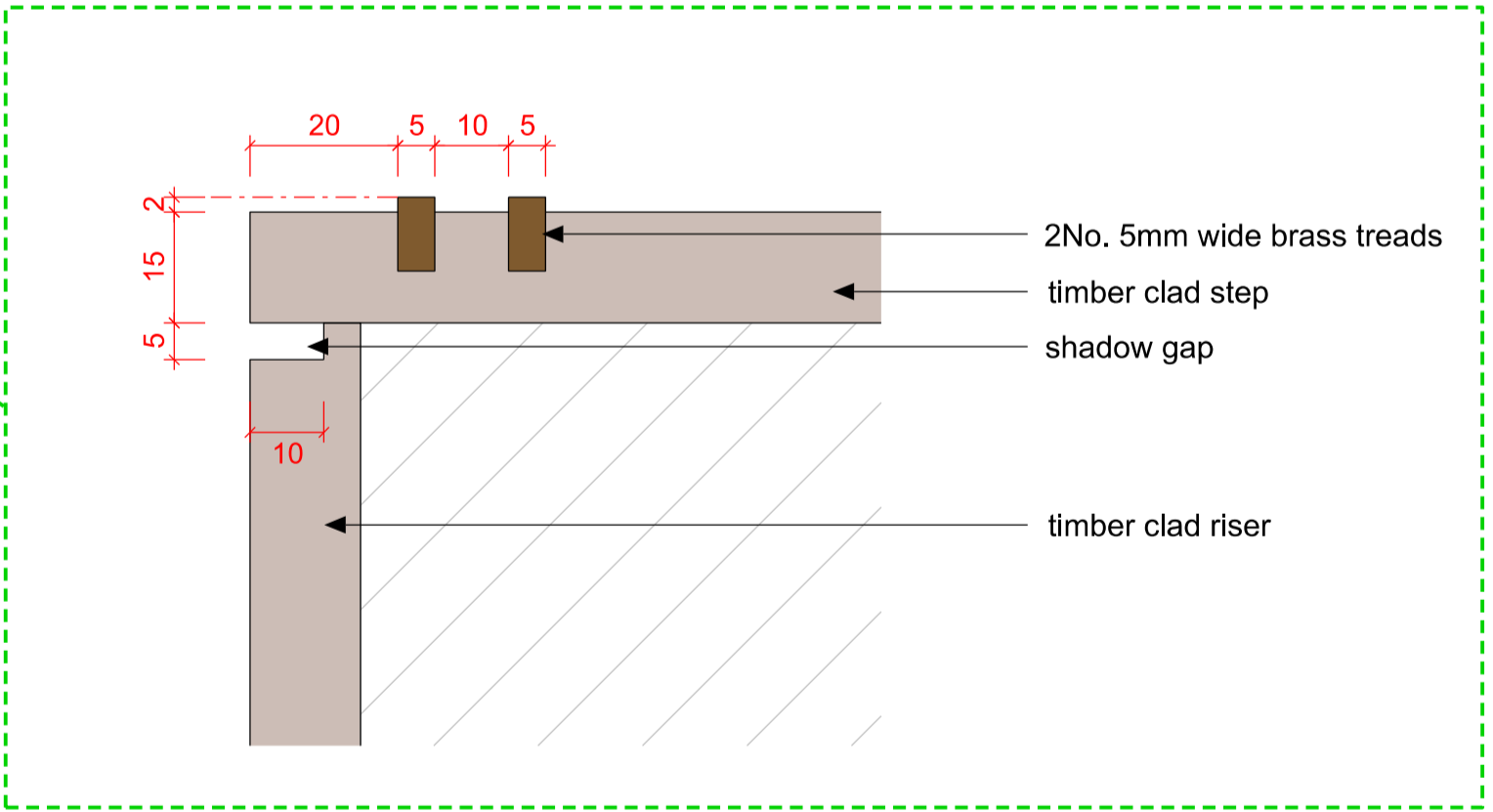


01 Stair Section
Scale 1:25 @A1 / 1:50 @A3



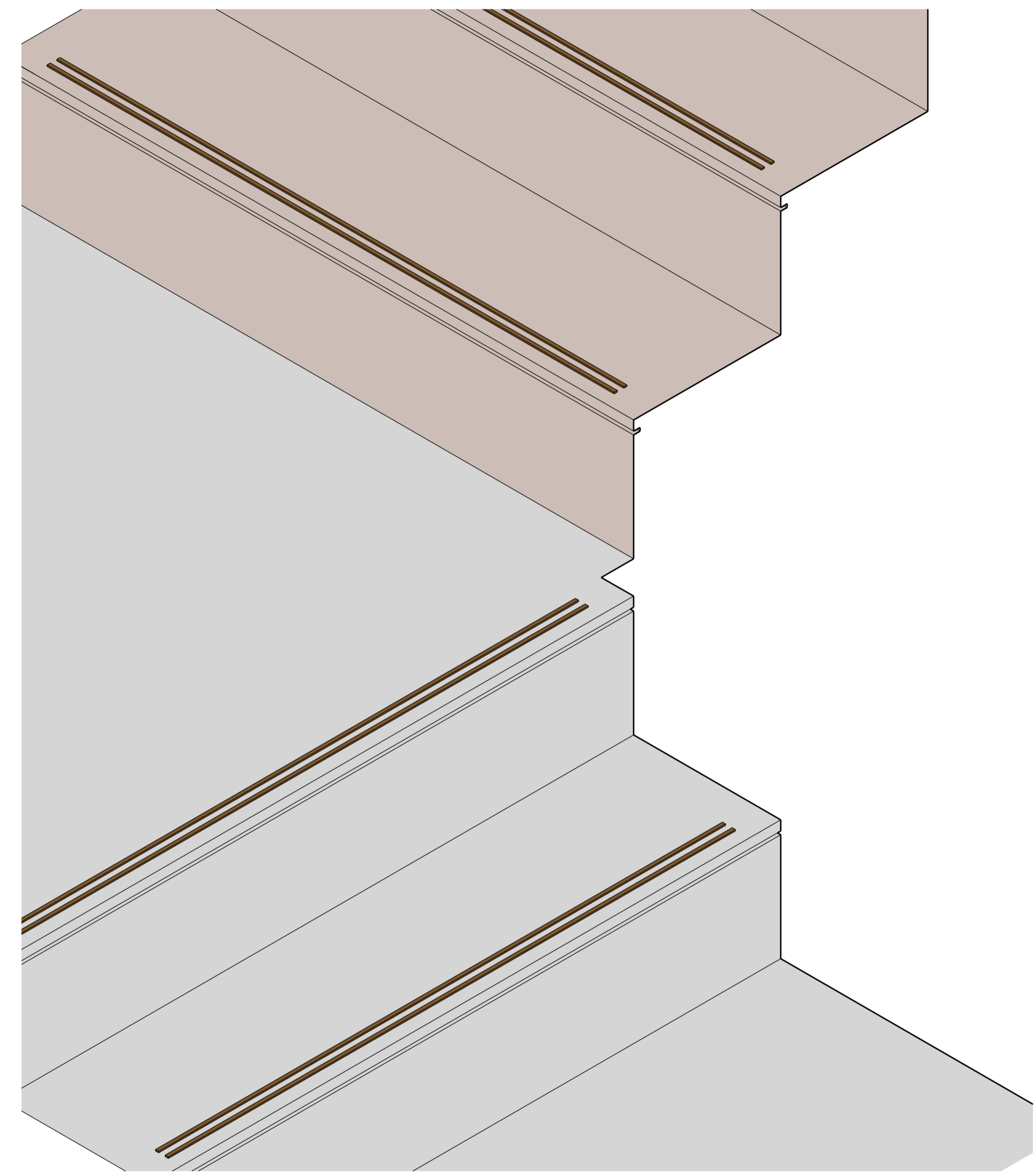
02 Handrail detail elevation
Scale 1:2 @A1 / 1:4 @A3

03 Handrail detail section
Scale 1:2 @A1 / 1:4 @A3

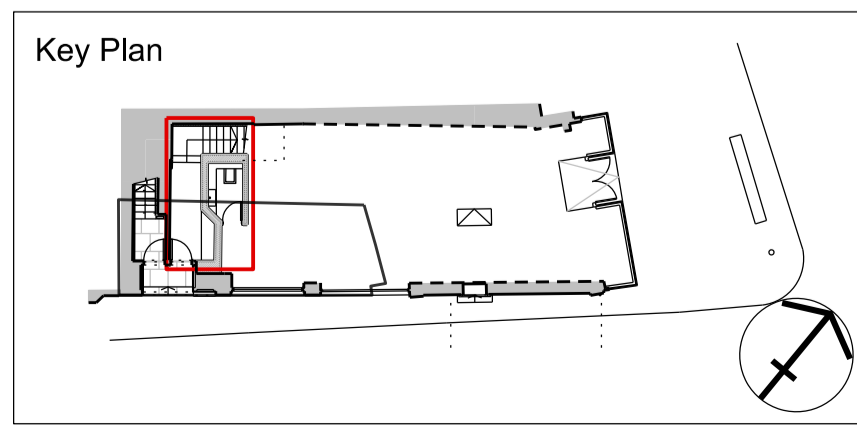


04 Scale 1:2 @A1 / 1:4 @A3

05 Stair nosing detail
Scale 1:2 @A1 / 1:4 @A3



06 Stair axonometric
Scale 1:5 @A1 / 1:10 @A3



Rev	Date	Reason for Issue
00	-	-

STATUS: **PLANNING**
NOT FOR CONSTRUCTION