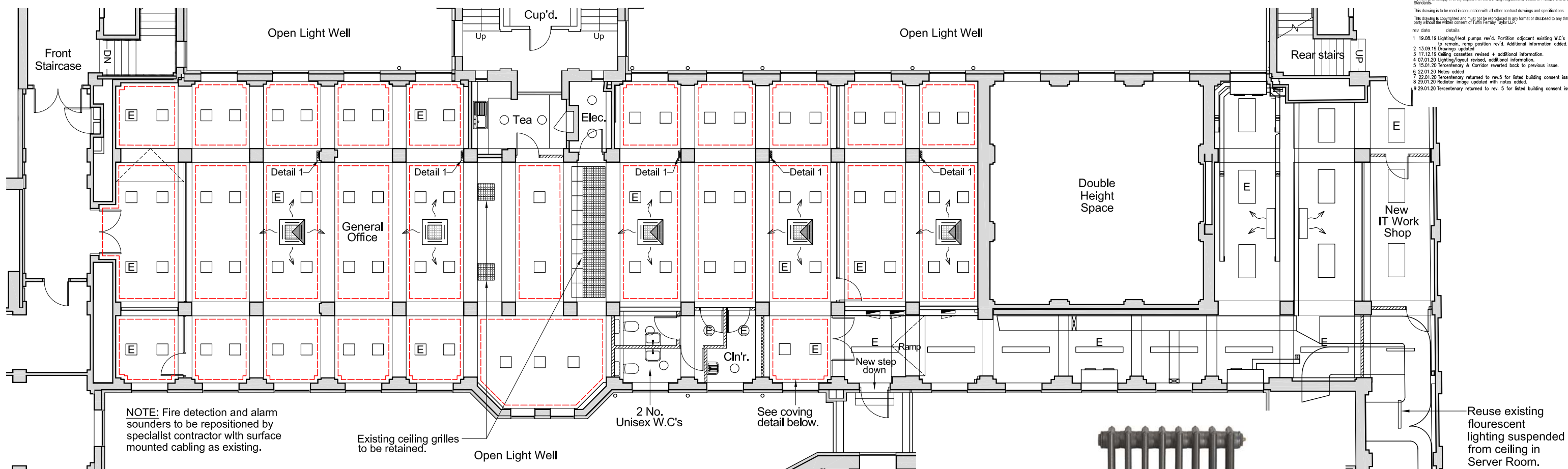


**Disclaimer:**  
 This drawing should not be scaled.  
 The contractor is to check all dimensions on site and inform the contract administrator/project manager of any discrepancies.  
 All work is to comply in every aspect with the Building Regulations, Codes of Practice and British Standards.  
 This drawing is to be read in conjunction with all other contract drawings and specifications.  
 This drawing is copyrighted and may not be reproduced in any format or disclosed to any third party without the written consent of Tuffin Murphy Taylor LLP.  
 rev. date details by  
 1 19.08.19 Lighting/heat pumps rev'd. Partition adjacent existing W.C.'s to remain, ramp position rev'd. Additional information added. bd  
 2 13.09.19 Drawings updated. CC  
 3 17.12.19 Ceiling cassettes revised + additional information. bd  
 4 07.01.20 Lighting/layout revised, additional information. bd  
 5 15.01.20 Tercentenary & Corridor reverted back to previous issue. bd  
 6 22.01.20 Notes added. bd  
 7 22.01.20 Tercentenary returned to rev.5 for listed building consent issue bd  
 8 29.01.20 Radiator image updated with notes added. bd  
 9 29.01.20 Tercentenary returned to rev. 5 for listed building consent issue bd



**NOTE:** Fire detection and alarm sounders to be repositioned by specialist contractor with surface mounted cabling as existing.

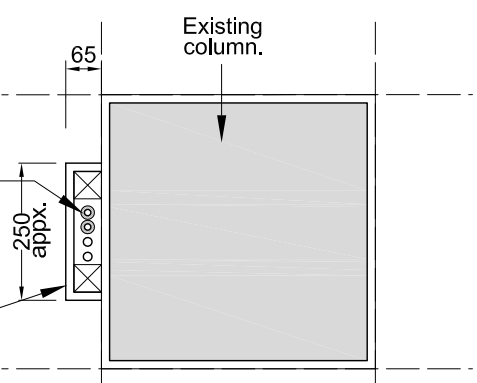
Existing ceiling grilles to be retained.

2 No. Unisex W.C's

See coving detail below.

Reuse existing fluorescent lighting suspended from ceiling in Server Room.

**NOTE:**  
 Existing decorative bands and stained hardwood skirting to columns to remain and replicated around new pipe duct to match in with existing.  
 Refrigeration and condensate pipes drop to L/L in boxing on column.  
 15mm plasterboard with plaster finish on 50mm timber framing taken up to underside of existing beam.



DETAIL 1 (1:10)  
TYPICAL PIPEWORK ENCASMENT



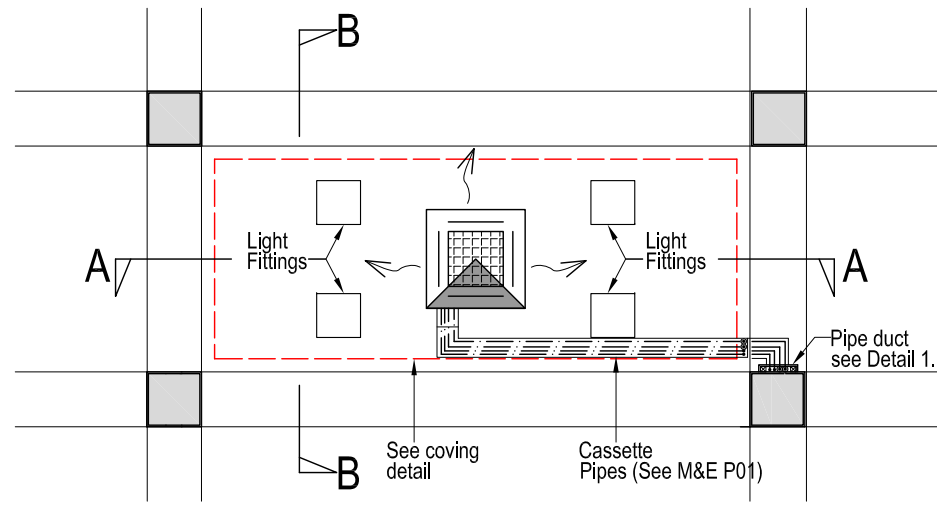
**NEW LIGHT FITTING**  
 See J Sethna report for specific fitting reference



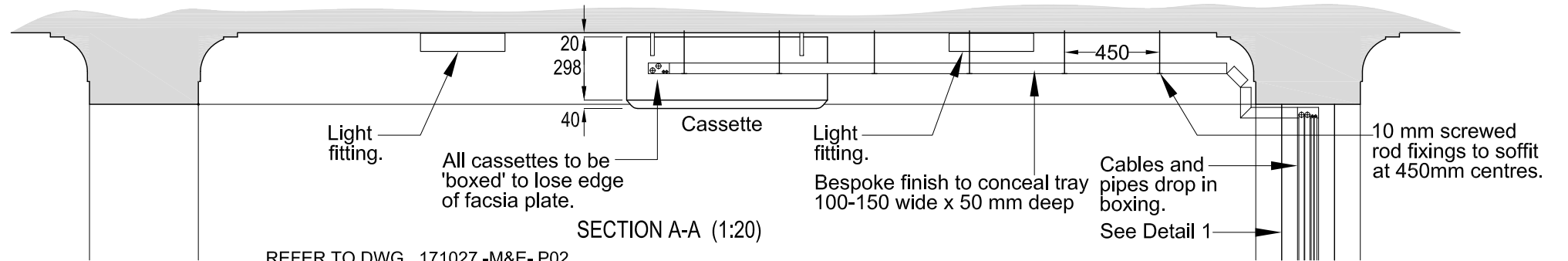
**CEILING CASSETTE**  
 (In plywood boxing.  
 See Dwg. M&E-P02 for detail).



**NEW CAST IRON RADIATOR**  
 (As Victorian 3 manufactured by Feature Radiators Ltd. Finished to tone with trim of proposed luminaires. Radiators to be approx. 566 L x 450 H x 120 D floor standing).



DETAIL 2 (1:50) - TYPICAL CEILING CASSETTE/LIGHT FITTING LAYOUT



REFER TO DWG. 171027 -M&E- P02 FOR FULL DETAILS OF TRAYS

