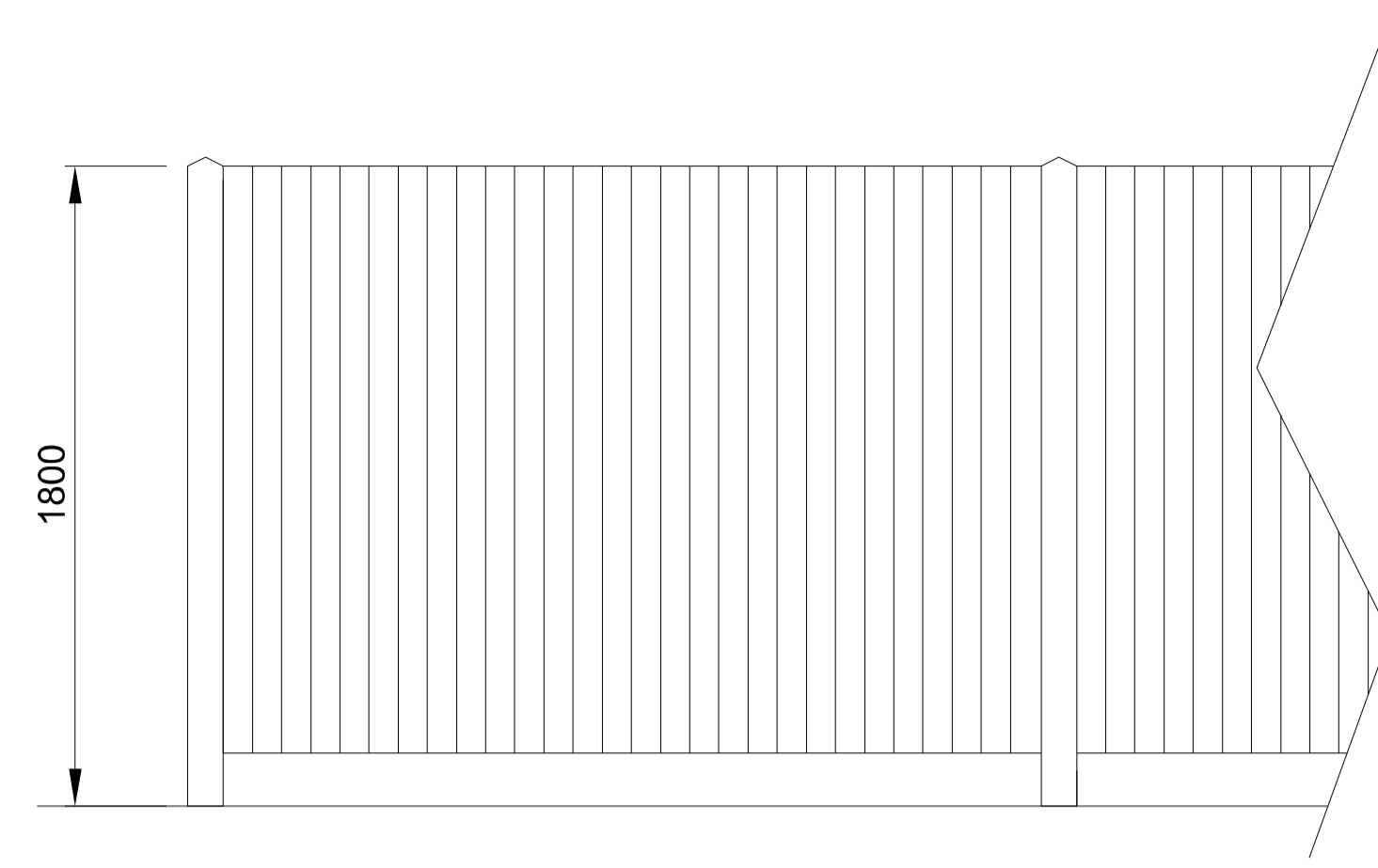
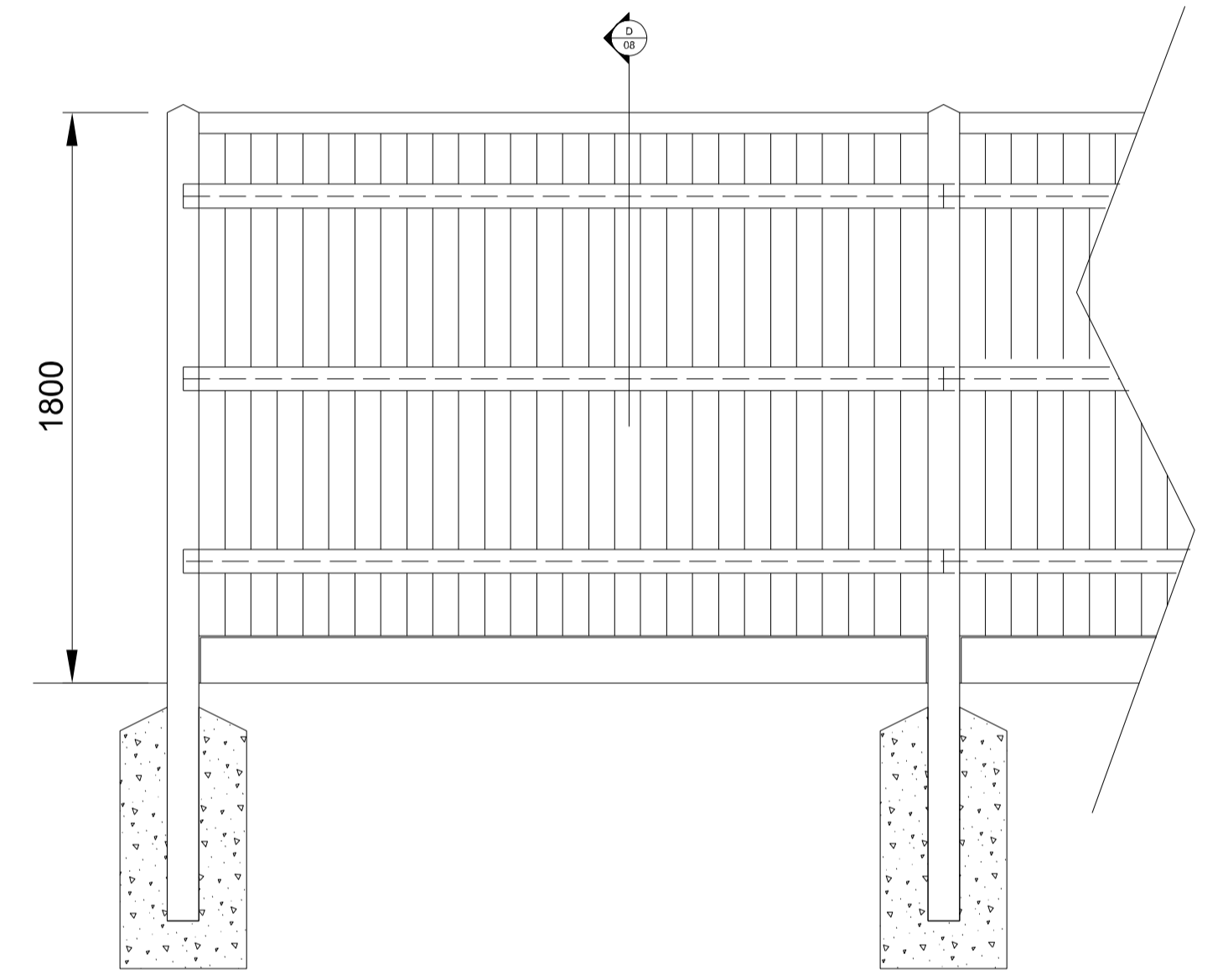


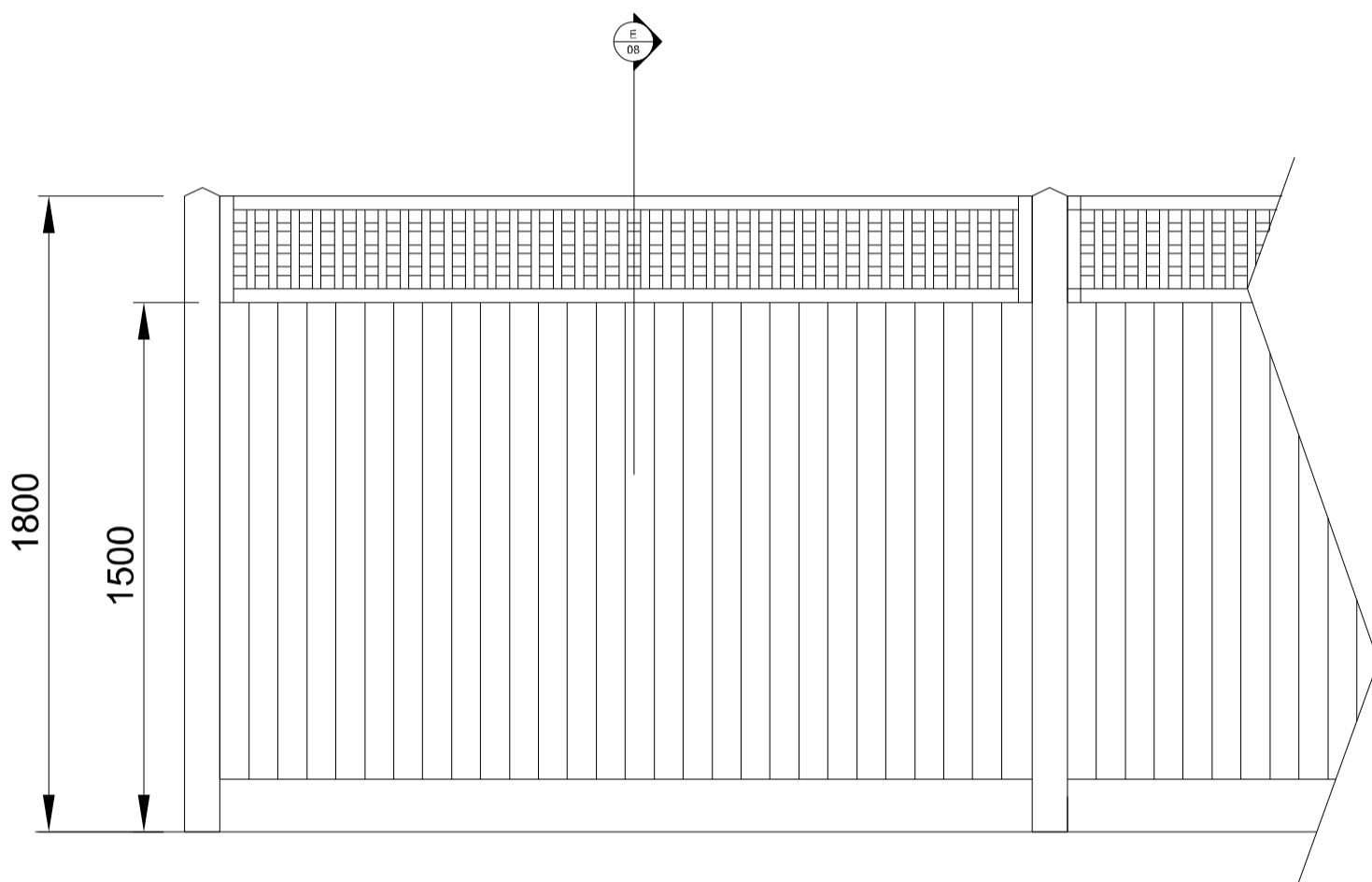
Plan 1:50 @A3



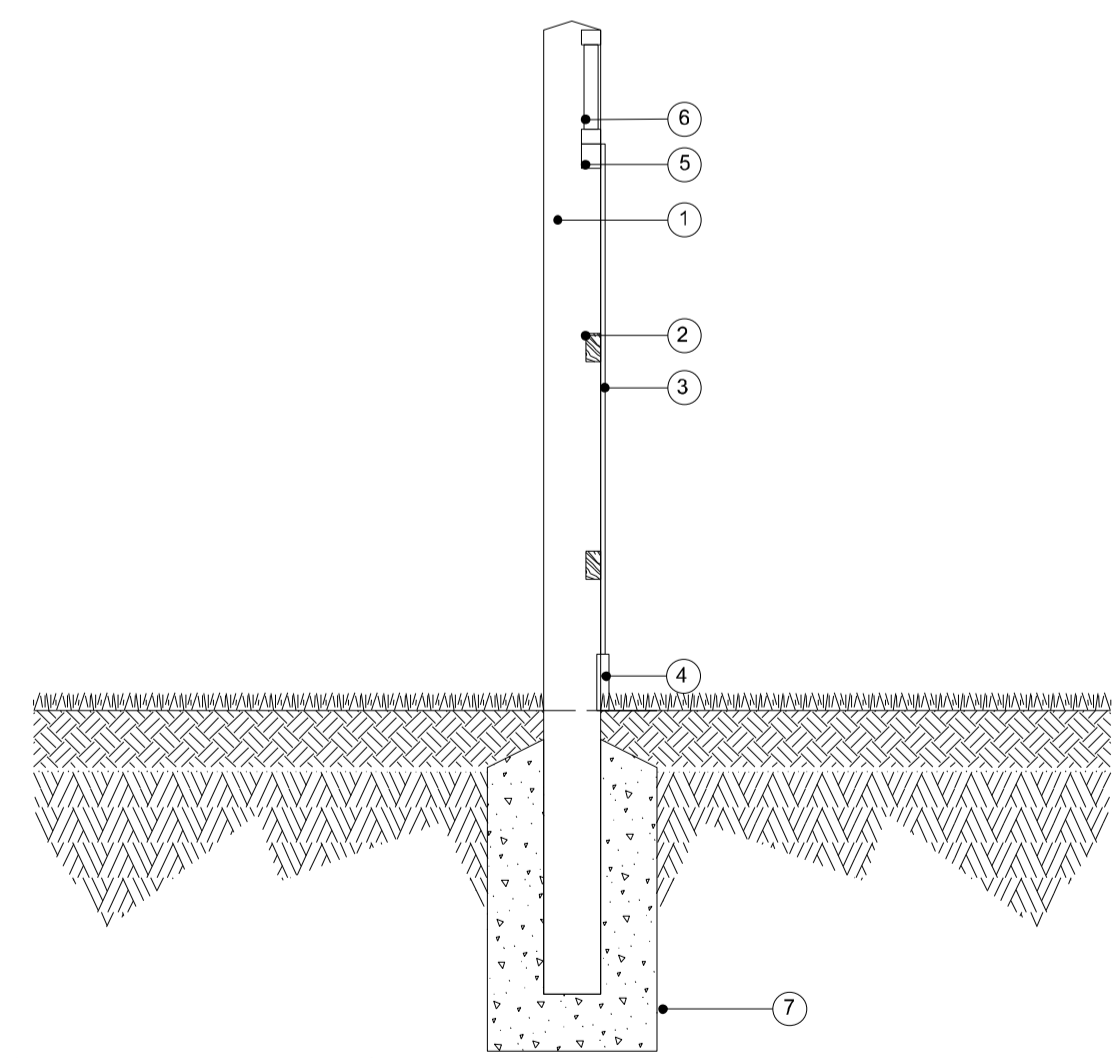
Elevation AA 1:20@ A1



Elevation BB 1:20@ A1

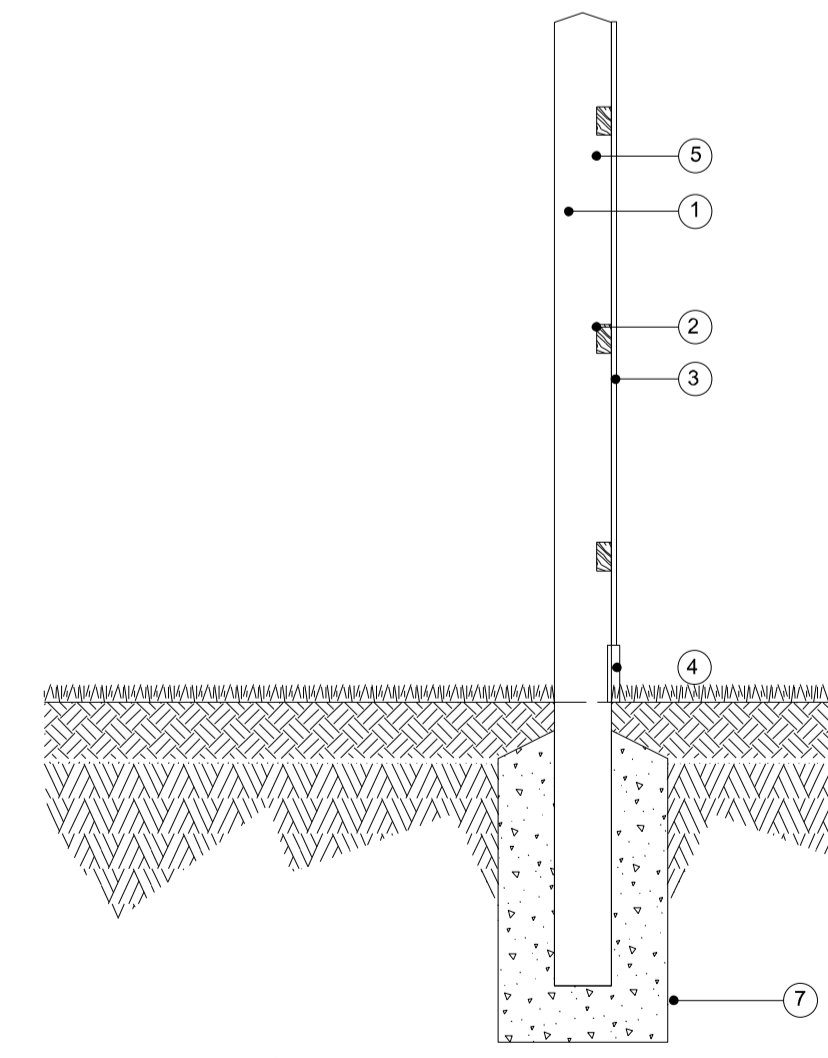


Elevation CC 1:20@ A1



Section E 1:20@ A1

1. Timber Posts Q40
2. Rails Q40
3. Feather edge boards Q40
4. Timber gravel board Q40
5. Counter rail Q40
6. Trellis Q40
7. Concrete foundations to engineer's detail.



Section D 1:20@ A1

drawing status: Tender

project:
Mayford Centre
Camden

job number:
LP2184
drawing title:
1.8m Close board Fence &
1.5m Close board Fence with trellis

drawing number:
LP2184-FIRA-D8-D-4008

revision	scale	date
-	1:20 @ A1	19/11/2019

for information	drawn	auth	date
for construction	VP	JP	