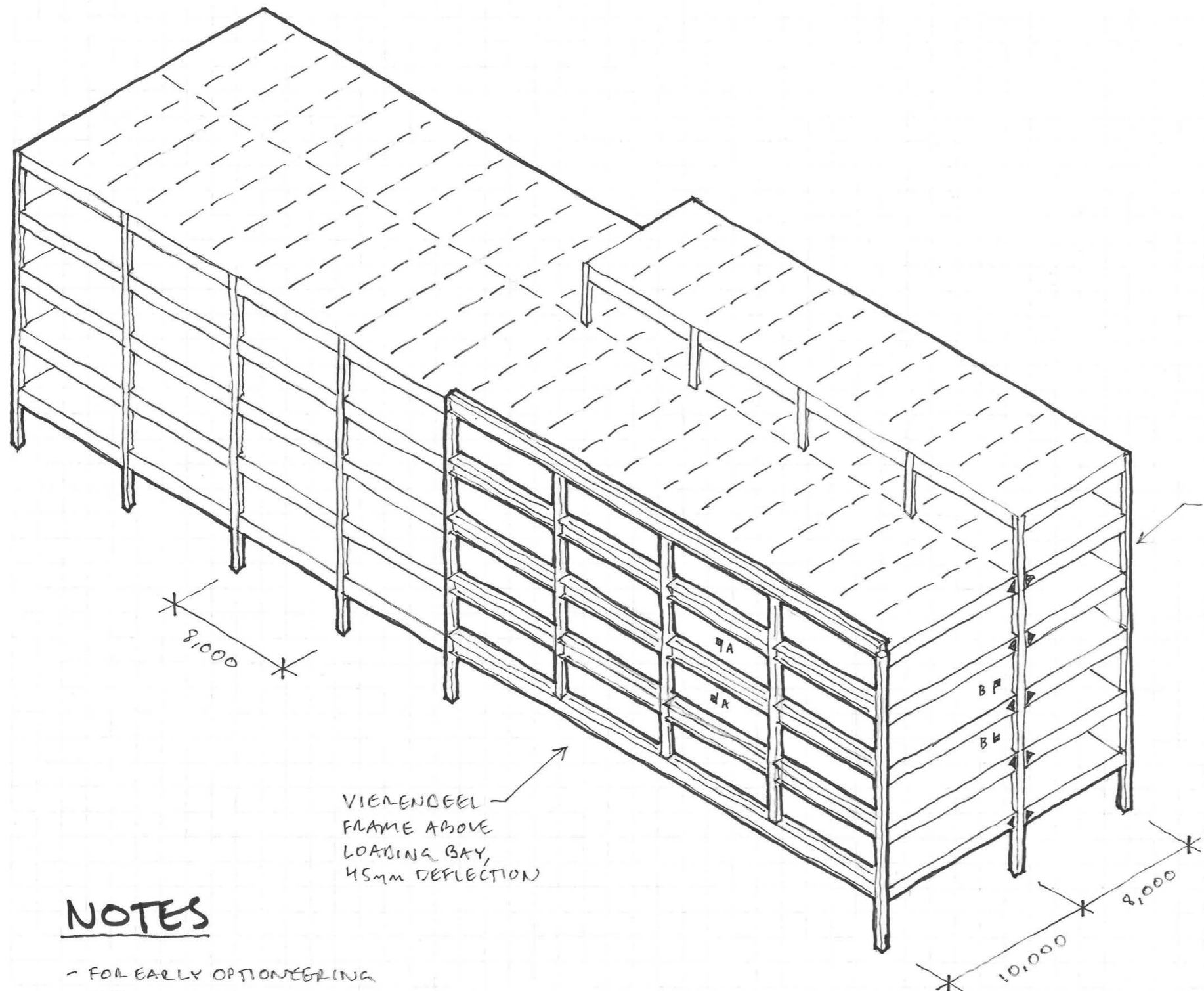


Appendix B

HTS Structural Sketches



NOTES

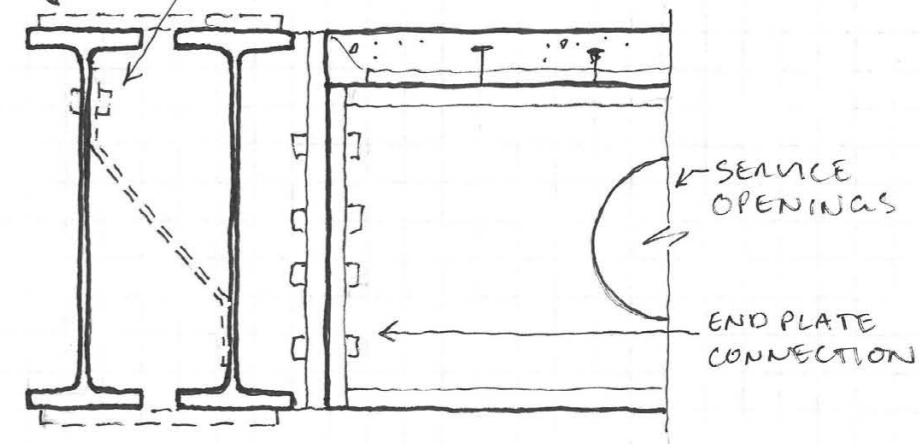
- FOR EARLY OPTIONEERING ONLY
- REFER TO SK002 FOR BEAM SIZES
- REFER TO SK003 FOR VIERENDEEL INFORMATION

VIERENDEEL FRAME ABOVE LOADING BAY, 45mm DEFLECTION

VIEW ON BUILDING

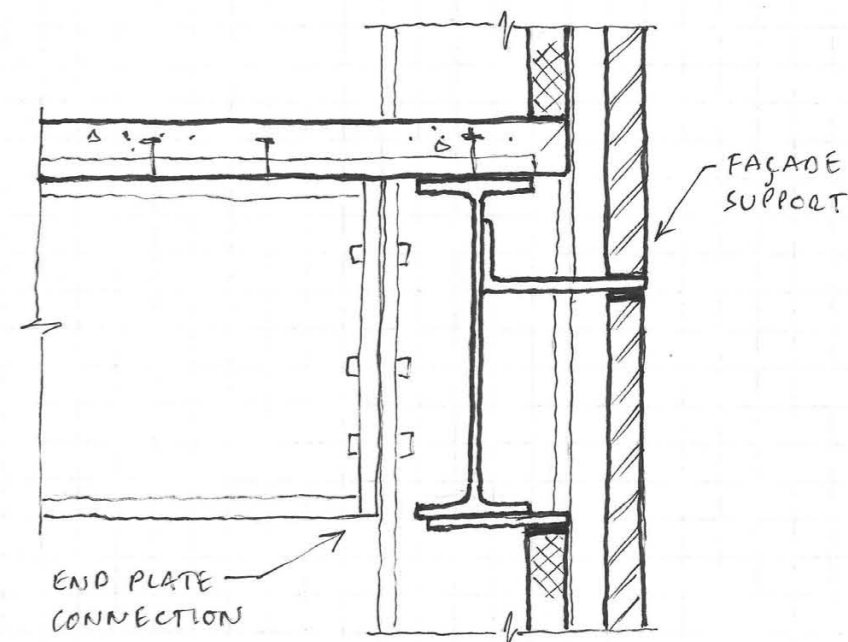
LATERAL RESTRAINT TIE

NUT WELDED TO PLATE, SOLUTION TO BE DEVELOPED



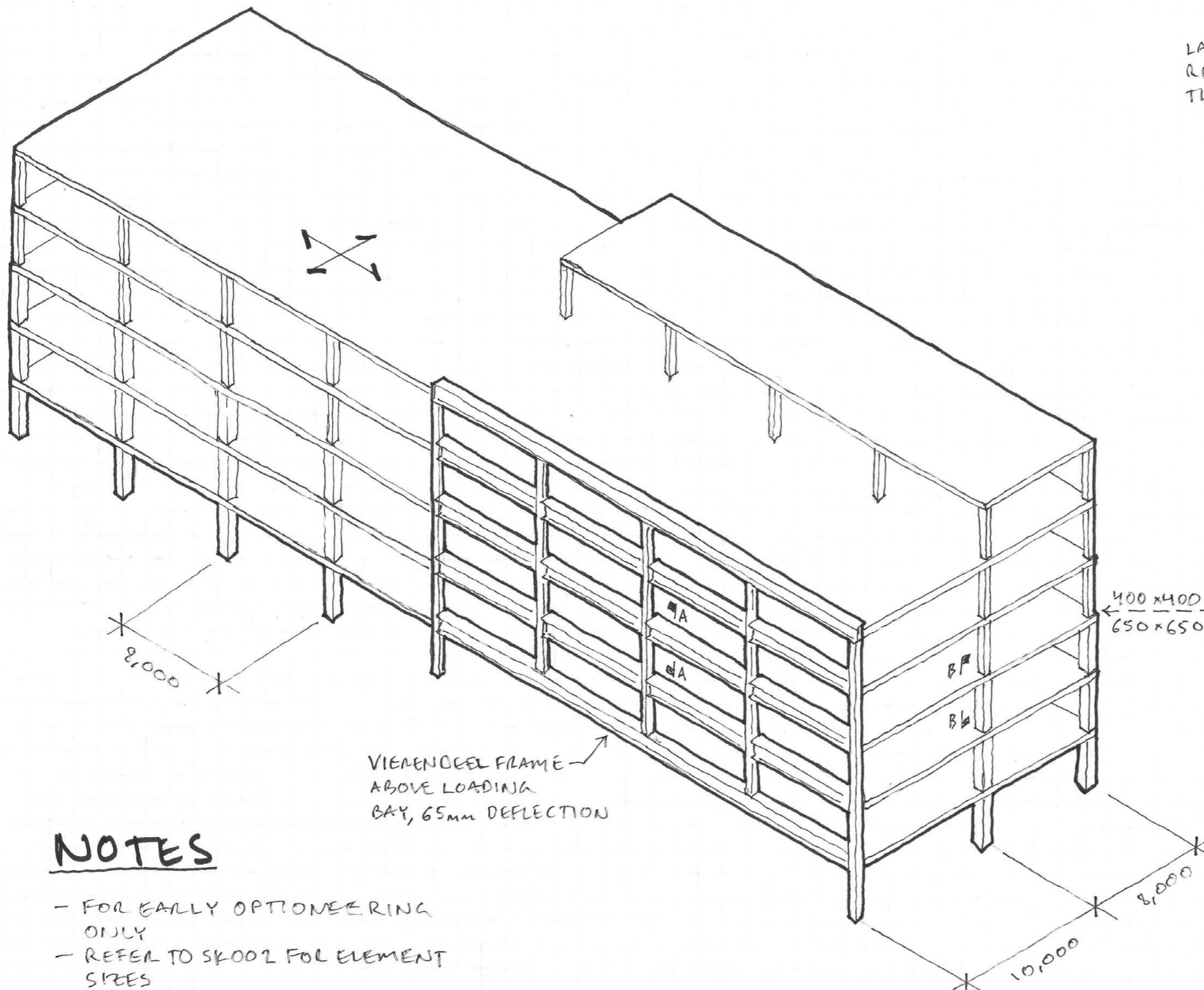
SECTION AA

UC305x305x283 COLUMNS TYP. (EXCEPT VIERENDEEL)



SECTION B-B

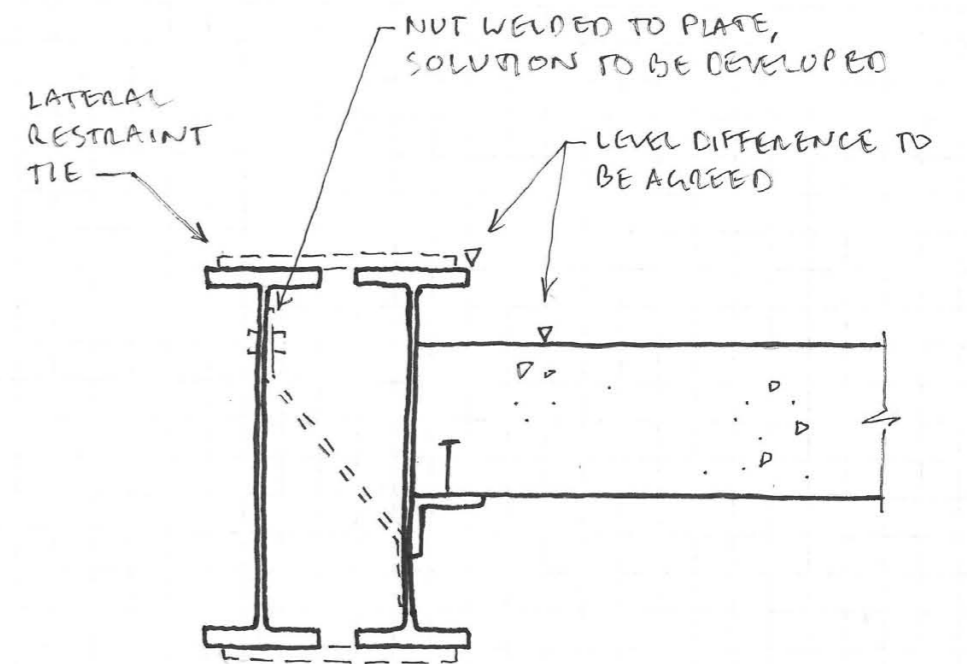
OPTIONEERING SKETCH, NO LONGER REFLECTING THE SCHEME



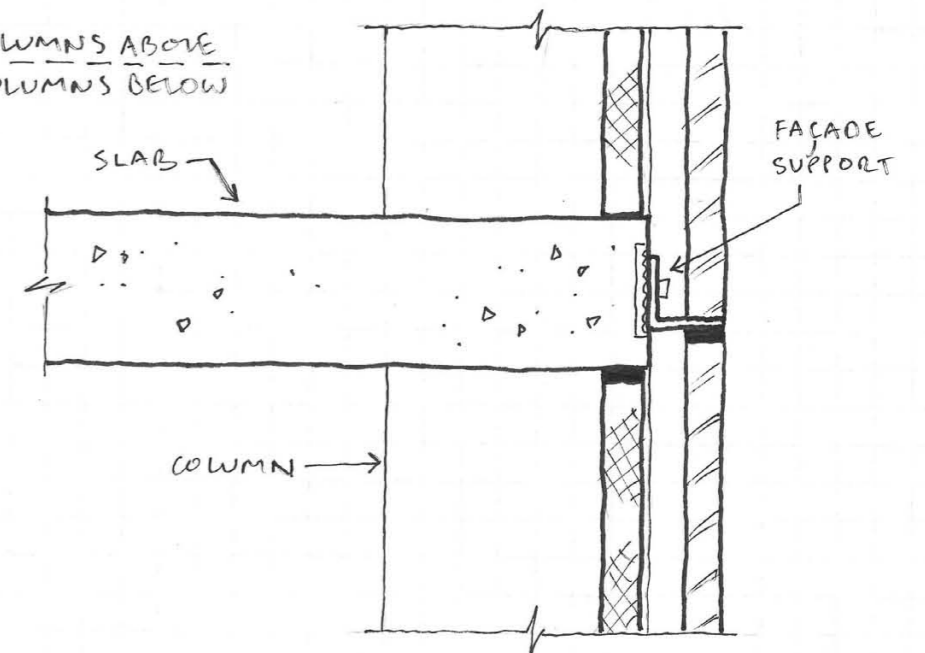
NOTES

- FOR EARLY OPTIONEERING ONLY
- REFER TO SK002 FOR ELEMENT SIZES
- REFER TO SK003 FOR VICENDEEL INFORMATION

VIEW ON BUILDING



SECTION A-A

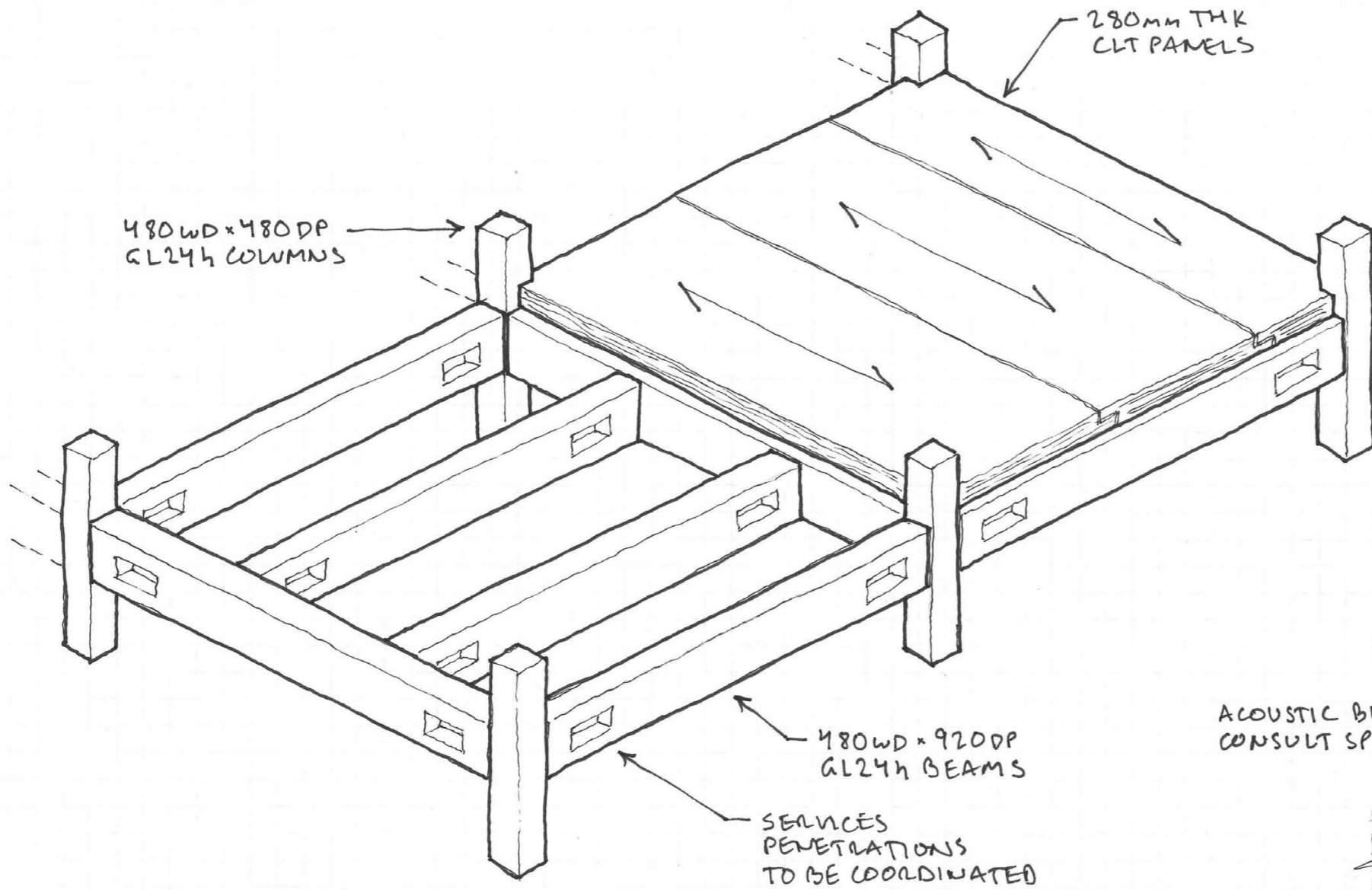


SECTION B-B

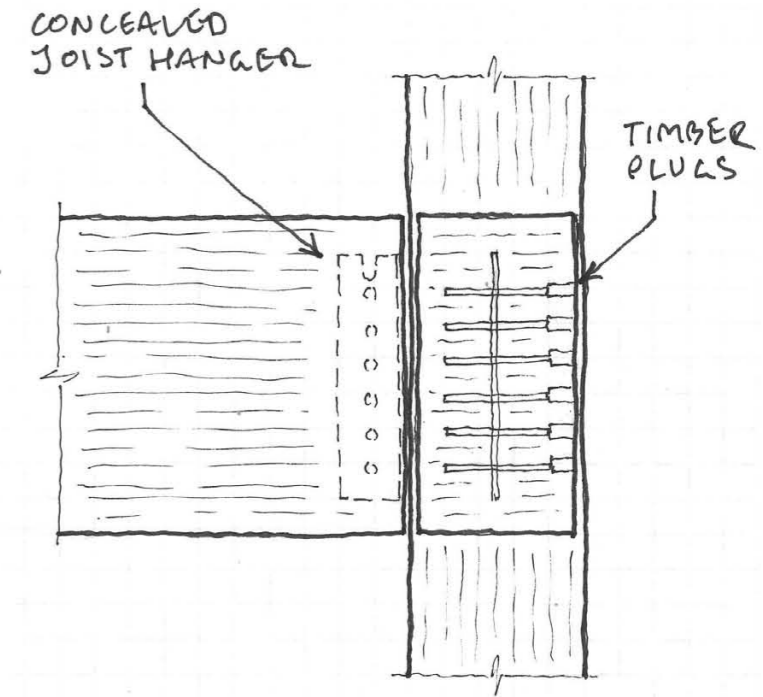
OPTIONEERING SKETCH, NO LONGER REFLECTING THE SCHEME

Job	RCS	Date	28/06/19
Title	RC SUPERSTRUCTURE OPTION	Eng.	CC
Job No.	2222	Rev.	PO1
	Sheet	SK005	

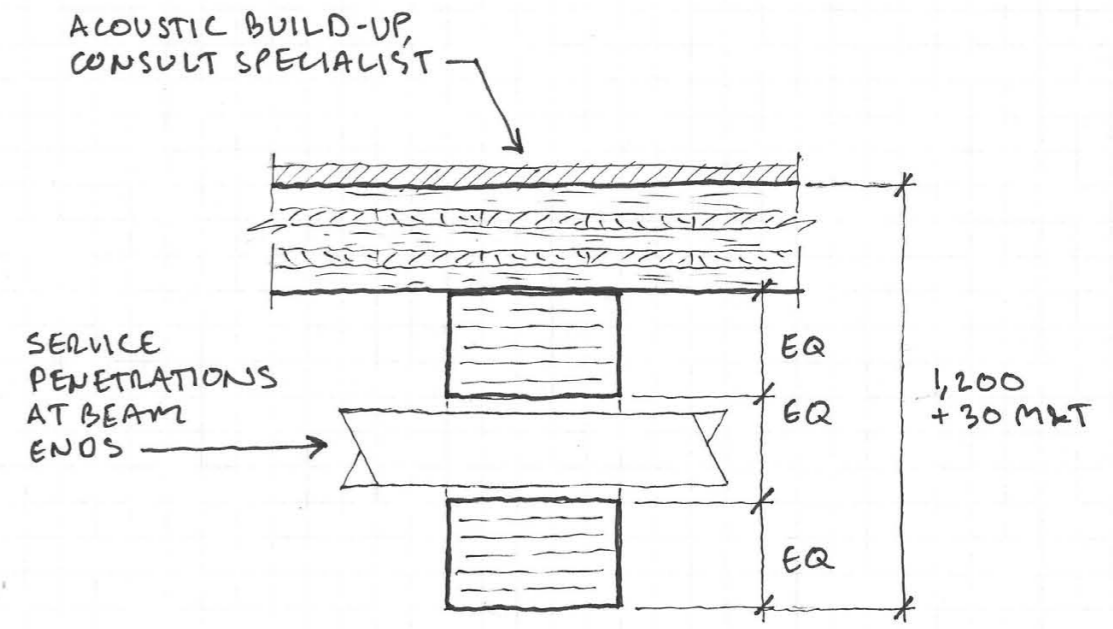




EXPLODED VIEW



BEAM TO COLUMN



BEAM SECTION

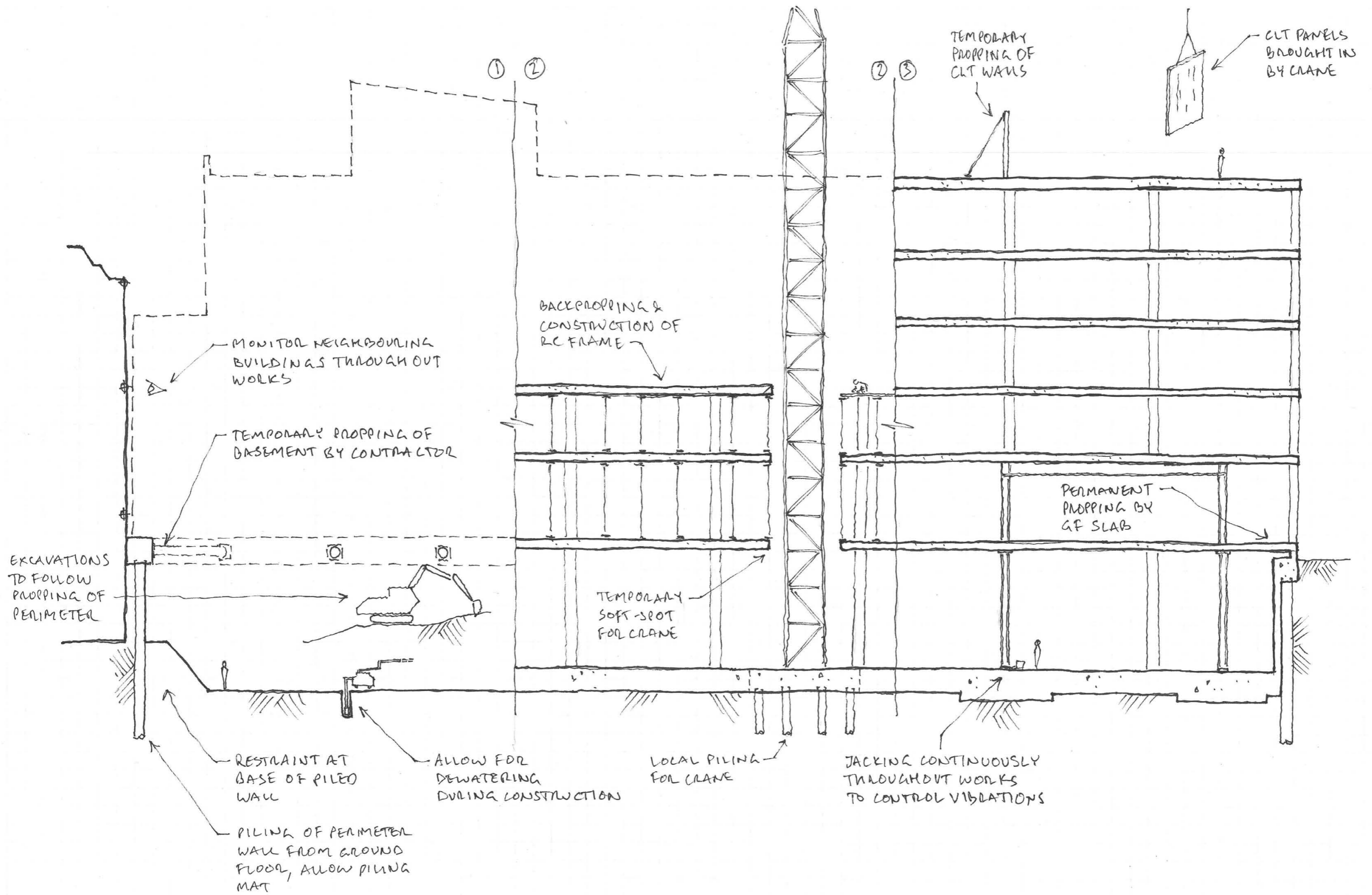
NOTES

- ASSUMED RC PODIUM TO FIRST FLOOR
- 60 MIN FIRE RATING TYPICALLY WITH PLASTERBOARD (SOME EXPOSED TIMBER POSSIBLE)
- ACOUSTIC & FIRE CONSULTANTS TO BE CONSULTED
- RESPONSE FACTOR OF 2.0
- IMPOSED LOAD OF 3.5kN/m²
- SUPER-IMPOSED LOAD OF 2.0kN/m²
- GRID OF 8.65 x 8.00m

OPTIONEERING SKETCH, NO LONGER REFLECTING THE SCHEME

Job	RCS	Date	23/07/19
Title	TYPICAL FLOOR - TIMBER	Eng.	ACS
Job No.	2222	Rev.	PO1
Sheet	SK008		





Job RCS

Date 06/12/19

Title CONSTRUCTION CONSIDERATION

Eng. CAS

Job No. 2222

Sheet SK018

Rev. P01