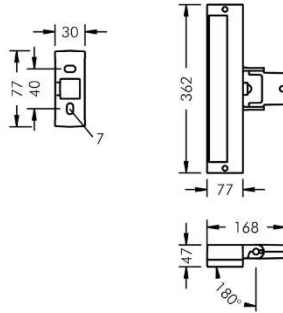


3940: HSLI Great Hall Exterior

Luminaire Datasheets

RIBA 3 Issue 191118

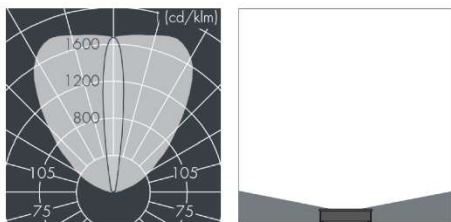
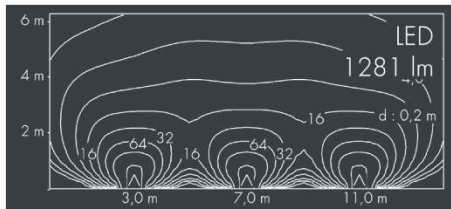
3940_LD_v2



Highline

8 730 146 108

9 × 2,5 W, 1281 lm, 3000 K warm white, DALI,
wall washer 14° / 93°



Customized solutions and modifications are possible: Special RAL, DB or NCS colours as polyester powder coat, luminaires in 2700 K and other colour temperatures and versions for high ambient temperature.

Specification

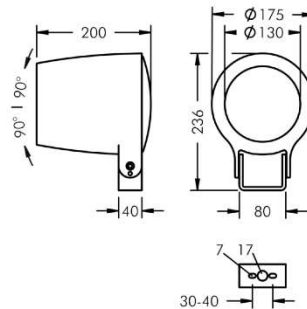
Wattage	23 W
Delivered lumens	56 lm/W
Light source	LED 3000 K
Colour Rendering Index	CRI > 80
Colour tolerance	max 2 SDCM
Lifetime ta 25° C	L90/B10 > 50.000 h
Control gear	DALI
Input voltage AC	220 – 240 V
Input voltage DC	195 – 240 V
Voltage protection	2 kV L/N 2 kV L/PE
Luminaires per B16A / C16A	50 / 85

Specification text

housing made of corrosion-resistant die-cast aluminium ALSi12, polyester powder coated by high-quality and UV-stabilized coating process, Colour: black RAL 7021, all exterior parts are stainless steel, tempered safety glass, anti-reflective coating from 1 side, with partial frosting for uniform light diffraction and dark silk-print, silicon gasket, wall bracket: 2 elongated holes Ø 6,5 mm, spacing 40 mm, tilt range: 180°, cable gland: M20, connecting terminal: 5 pole, highly efficient optics made of transparent thermoplastic for precise lighting tasks, integral driver (DALI), CRI > 80, max 2 SDCM, service life L90/B10 > 50.000 h, beam angle (FWHM): 14° / 93°, luminous flux: 1281 lm, wattage: 23 W, delivered lumens 56 lm/W, protection type IP67, protection class I, impact resistance IK08, windage area 0,029 m², dimensions (L×H×W): 362 × 47 × 77 mm, weight 1.7 kg

The modular luminaire design makes the replacement of components possible. The product meets the demands of the applicable EU guidelines and product safety regulations and bears the CE and ENEC marks.

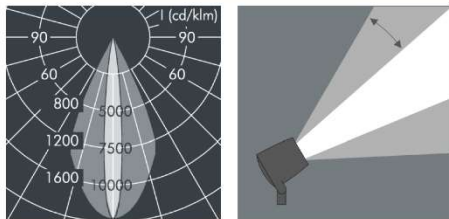
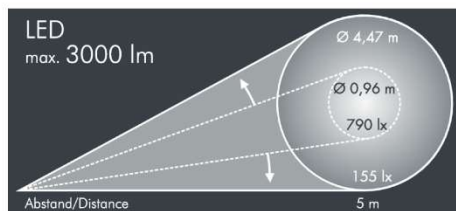
CE **IP67 IK08**



Monospot 3

8 903 046 168

36 W, 2211 lm, 3000 K warm white, DALI, Vario Optic 11 – 48°



Customized solutions and modifications are possible: Special RAL, DB or NCS colours as polyester powder coat, luminaires in 2700 K and other colour temperatures and versions for high ambient temperature.

Specification

Wattage	36 W
Delivered lumens	61 – 83 lm/W
Light source	LED 3000 K
Color Rendering Index	CRI > 80
Colour tolerance	max 2 SDCM
Lifetime ta 25° C	L90/B10 > 50.000 h
Control gear	DALI
Input voltage AC	110 – 240 V
Input voltage DC	190 – 250 V
Voltage protection	4 kV L/N 5 kV L/PE
Luminaires per B16A / C16A	30 / 51

Specification text

housing made of corrosion-resistant die-cast aluminium AlSi12, polyester powder coated by high-quality and UV-stabilized coating process, Colour: black RAL 7021, all exterior parts are stainless steel, tempered safety glass, anti-reflective coating from 1 side, dark screenprint, silicon gasket, bracket: 2 long holes $\varnothing 7$ mm, spacing 30-40 mm, 1 centre hole $\varnothing 17$ mm, tilt range: 180°, cable gland: M20, connecting terminal: 5 pole, Optical lens for narrow and wide beam light distribution, adjustable from outside the luminaire on site, integral, dimmable driver (DALI), CRI > 80, max 2 SDCM, service life L90/B10 > 50.000 h, beam angle (FWHM): 11 – 48°, luminous flux: 2211 lm, wattage: 36 W, delivered lumens 61 – 83 lm/W, protection type IP67, protection class I, impact resistance IK08, windage area 0,049 m², dimensions: $\varnothing 175$ mm, width 200 mm, weight 3,7 kg

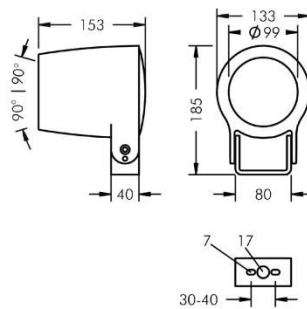
The modular luminaire design makes the replacement of components possible. The product meets the demands of the applicable EU guidelines and product safety regulations and bears the CE and ENEC marks.



Beam angle (FWHM)	11 – 48°
Housing colour	black RAL 7021
Power supply cable	$\varnothing 6 - 11$ mm
Protection type	IP67
Protection class	I
Impact resistance	IK08
Windage area	0,049m ²
Dimensions	$\varnothing 175$ mm, width 200 mm
Weight	3,70 kg
Max. ambient temperature ta	35°
Energy efficiency class	A++, A-, A

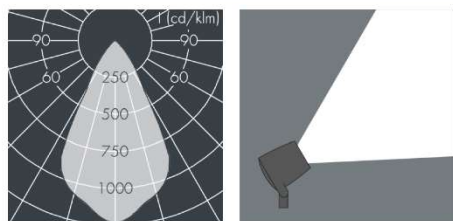
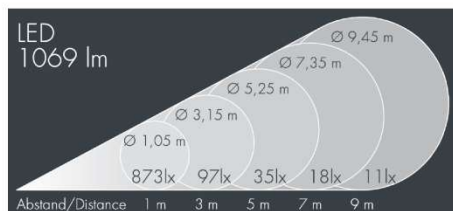
Technical and formal changes reserved, product photos are exemplary. As of 30.10.2019

Willy Meyer+Sohn GmbH+Co. KG | Stemmessiepener Weg 5 | 58575 Hemer | Germany | info@meyer-lighting.com | www.meyer-lighting.com



Monospot 2

8 902 046 158
 15 W, 1069 lm, 3000 K warm white, DALI,
 wide beam 55°



Customized solutions and modifications are possible: Special RAL, DB or NCS colours as polyester powder coat, luminaires in 2700 K and other colour temperatures and versions for high ambient temperature.

Specification text

housing made of corrosion-resistant die-cast aluminium AlSi12, polyester powder coated by high-quality and UV-stabilized coating process, Colour: black RAL 7021, all exterior parts are stainless steel, tempered safety glass, anti-reflective coating from 1 side, dark screenprint, silicon gasket, bracket: 2 long holes Ø 7 mm, spacing 30-40 mm, 1 centre hole Ø 17 mm, tilt range: 180°, cable gland: M16, connecting terminal: 5 pole, highly efficient faceted rotationally symmetrical reflector, integral, dimmable driver (DALI), CRI > 80, max 3 SDCM, service life L90/B10 > 50.000 h, beam angle (FWHM): 55°, luminous flux: 1069 lm, wattage: 15 W, delivered lumens 70 lm/W, protection type IP67, protection class I, impact resistance IK08, windage area 0,031 m², dimensions: Ø 105 mm, width 115 mm, weight 1.9 kg

The modular luminaire design makes the replacement of components possible. The product meets the demands of the applicable EU guidelines and product safety regulations and bears the CE and ENEC marks.



Specification

Wattage	15 W	Beam angle (FWHM)	55°
Delivered lumens	70 lm/W	Housing colour	black RAL 7021
Light source	LED 3000 K	Power supply cable	Ø 5 – 9 mm
Color Rendering Index	CRI > 80	Protection type	IP67
Colour tolerance	max 3 SDCM	Protection class	I
Lifetime ta 25° C	L90/B10 > 50.000 h	Impact resistance	IK08
Control gear	DALI	Windage area	0,031m²
Input voltage AC	110 – 240 V	Dimensions	Ø 105 mm, width 115 mm
Input voltage DC	195 – 240 V	Weight	1,90 kg
Voltage protection	2 kV L/N 2 kV L/PE	Max. ambient temperature ta	45°
Luminaires per B16A / C16A	50 / 85	Energy efficiency class	A++, A-, A