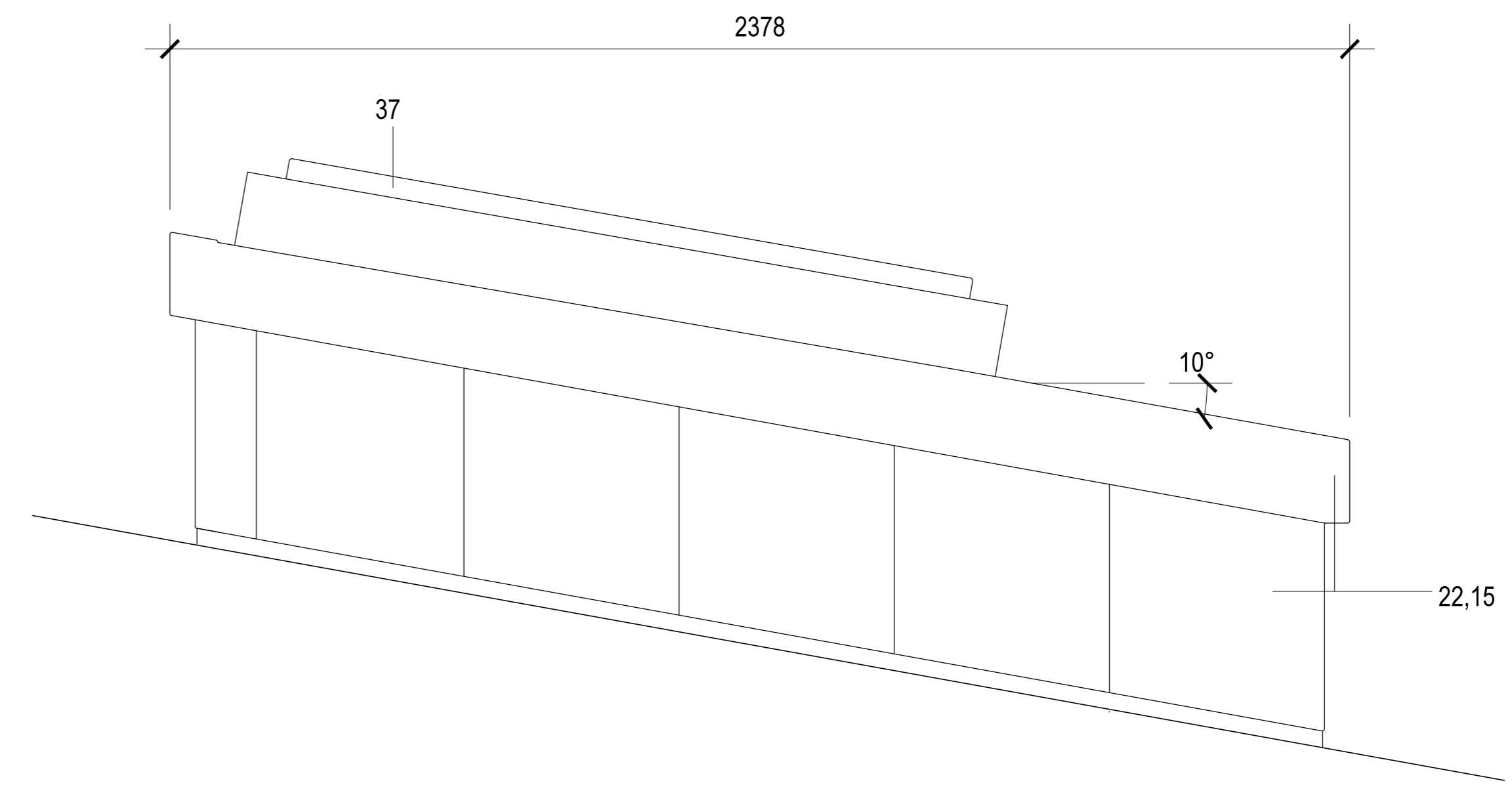
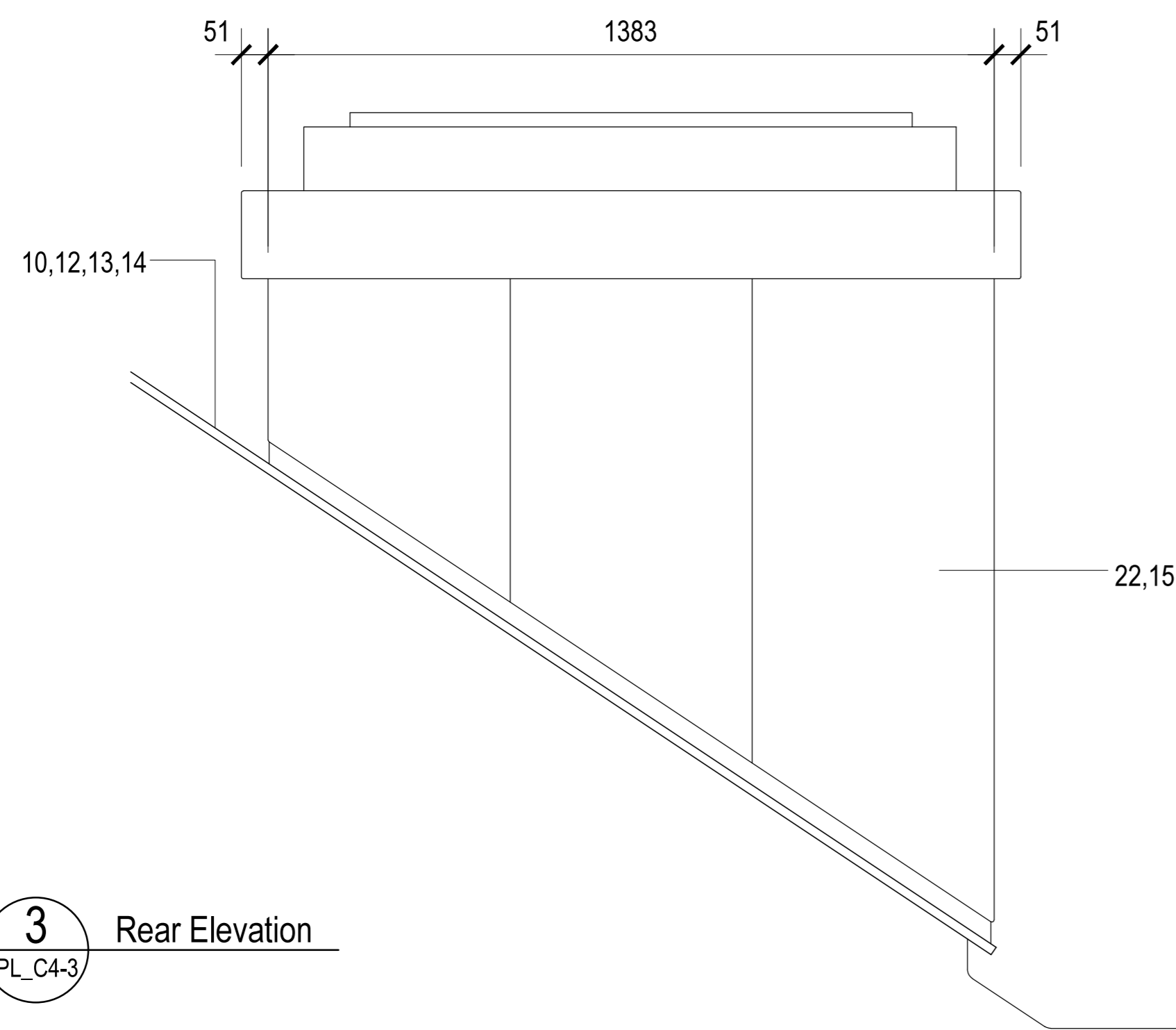


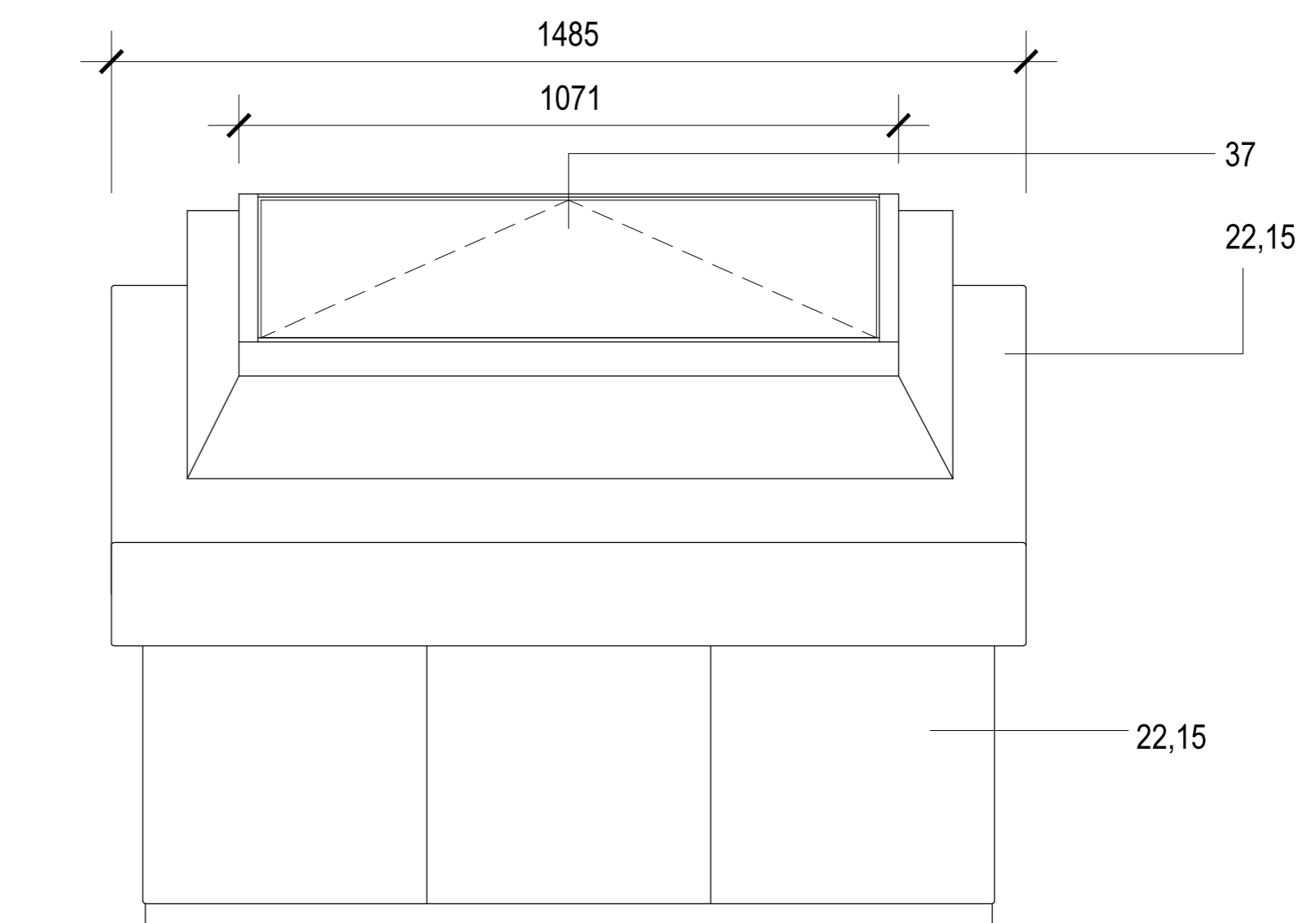
1 Side Elevation 1
PL_C4-3



2 Side Elevation 2
PL_C4-3



3 Rear Elevation
PL_C4-3



4 Front Elevation
PL_C4-3

NOTE:
UNLESS INDICATED, THIS DRAWING IS FOR INFORMATION ONLY.
DO NOT SCALE. USE FIGURED DIMENSIONS ONLY.
ALL DIMENSIONS TO BE CHECKED ON SITE.
IF IN DOUBT ASK

PLANNING CONDITIONS

Drawing original size A1

REVISION:			NOTES:		
REV	DATE	NOTE	REV	DATE	NOTE
A	03.02.20	Rooflight revised to Conservation Plaque Rooflight			

CLIENT:

ANDREW LETT ARCHITECTS
1 Eastfields Avenue, London SW18 1FQ
T. +44(0)20 7486 6464 F. +44(0)20 7486 6467
E. email@andrewlettarchitects.com

DRAWN:
PB

PROJECT NAME:
19 Fitzroy Square

DRAWING TITLE:
Rooflight Elevations

SCALE:
1:10 @ A1

DATE:
NOV 2019

DRAWING:
14113_PL_C4-3

REV:
A