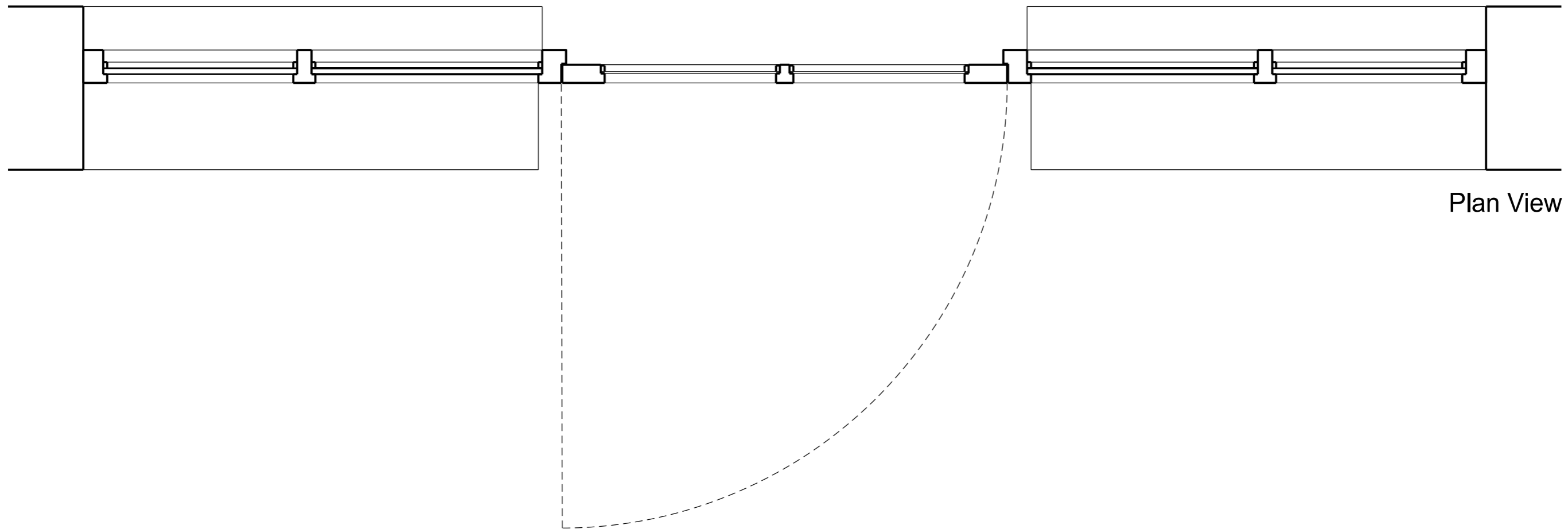



Section through Door



Plan View

 <p>Notes 1. Do not scale from this drawing. 2. Survey indicative only. Contractor to undertake own surveys and investigations.</p>	Revision	Date	Change	Project ILSC, 30 Thanet Street, WC1H 9QH	Reference THA	
				<b>Wilton Studio</b> 1 Pitwell Mews T: 020 7502 2599 London E8 1FH F: 070 0604 0213 United Kingdom E: info@wiltonstudio.eu	Drawing Title Details of Church Entrance at Sandwich Street Scale 1:10 @A3	Date January 2020 Dwg. No. <b>383</b>