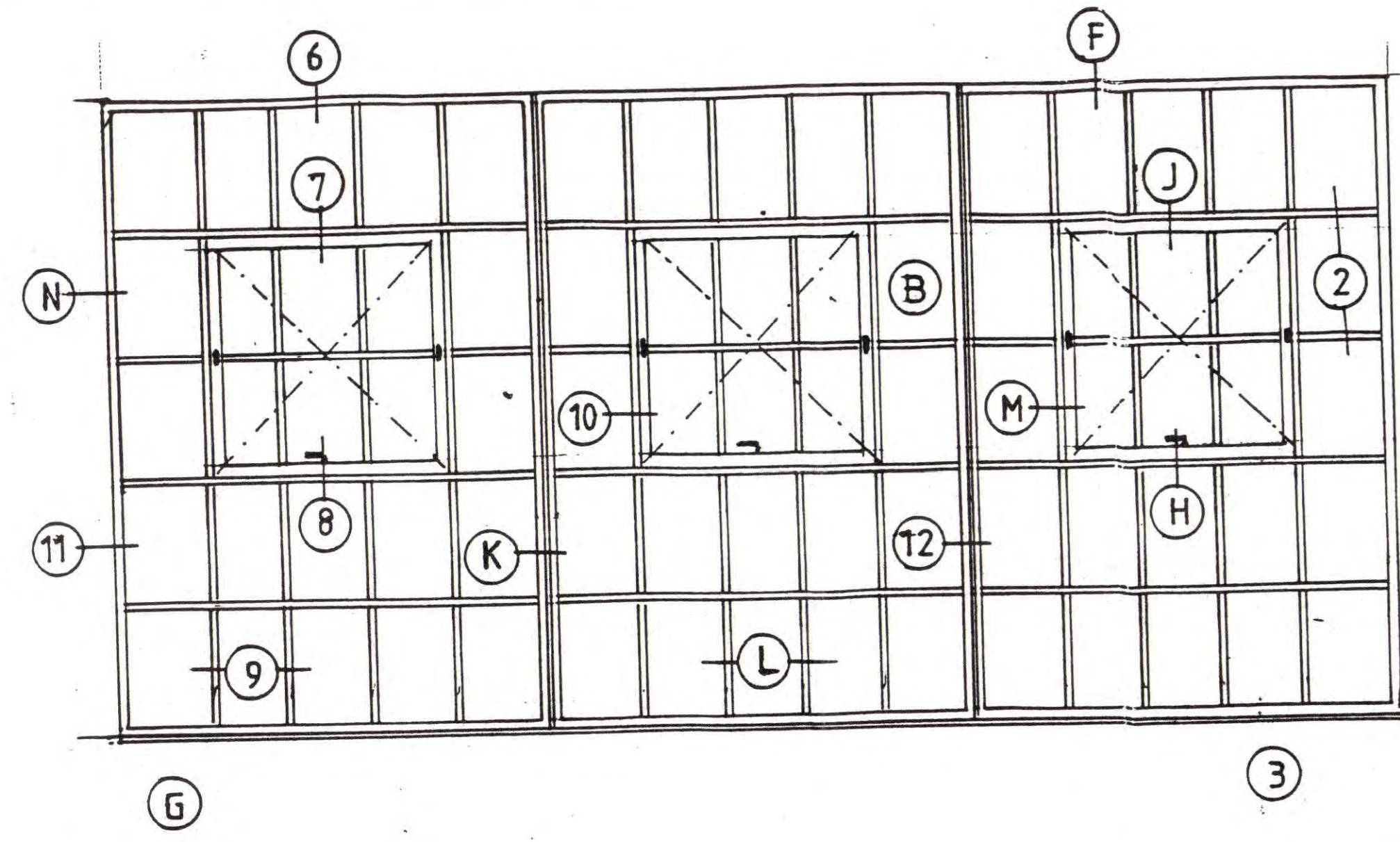
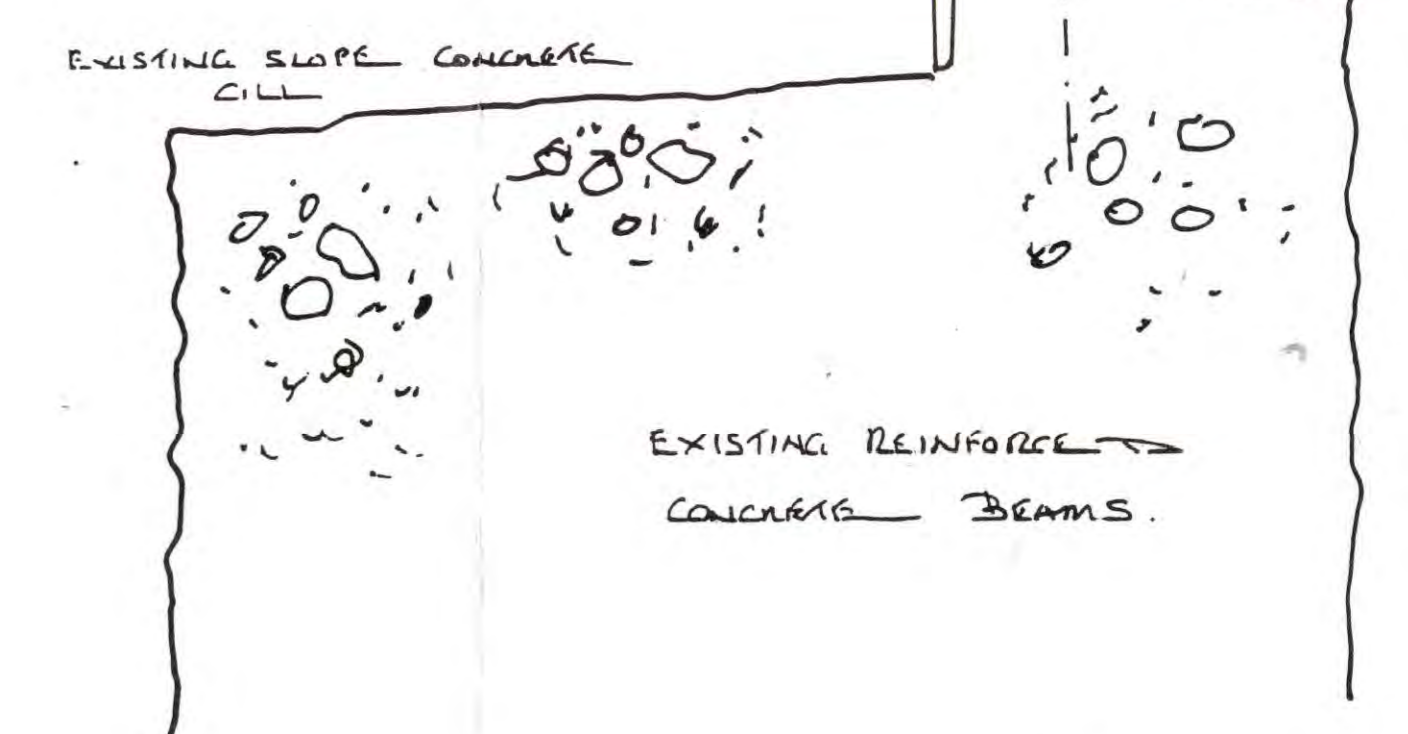
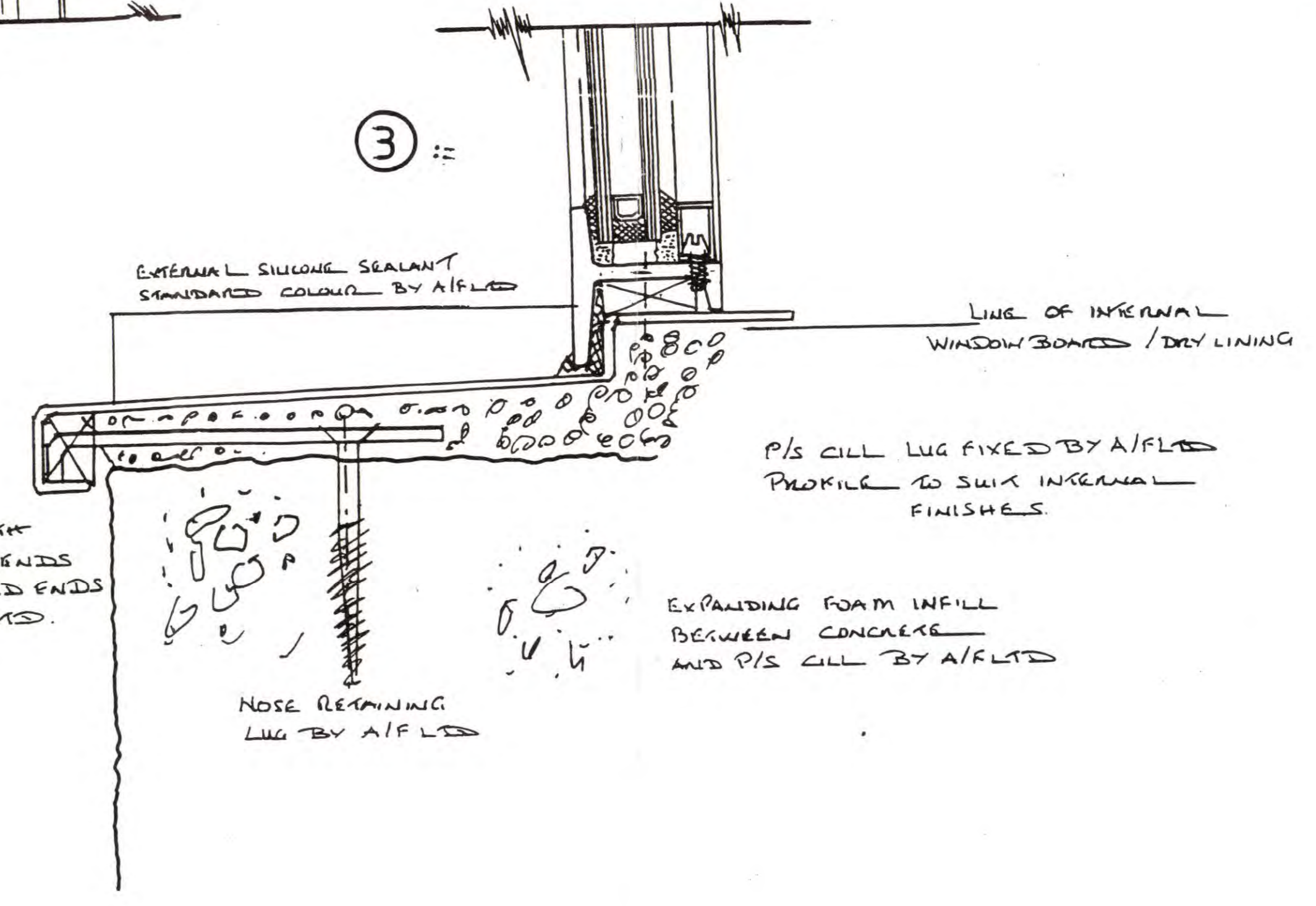
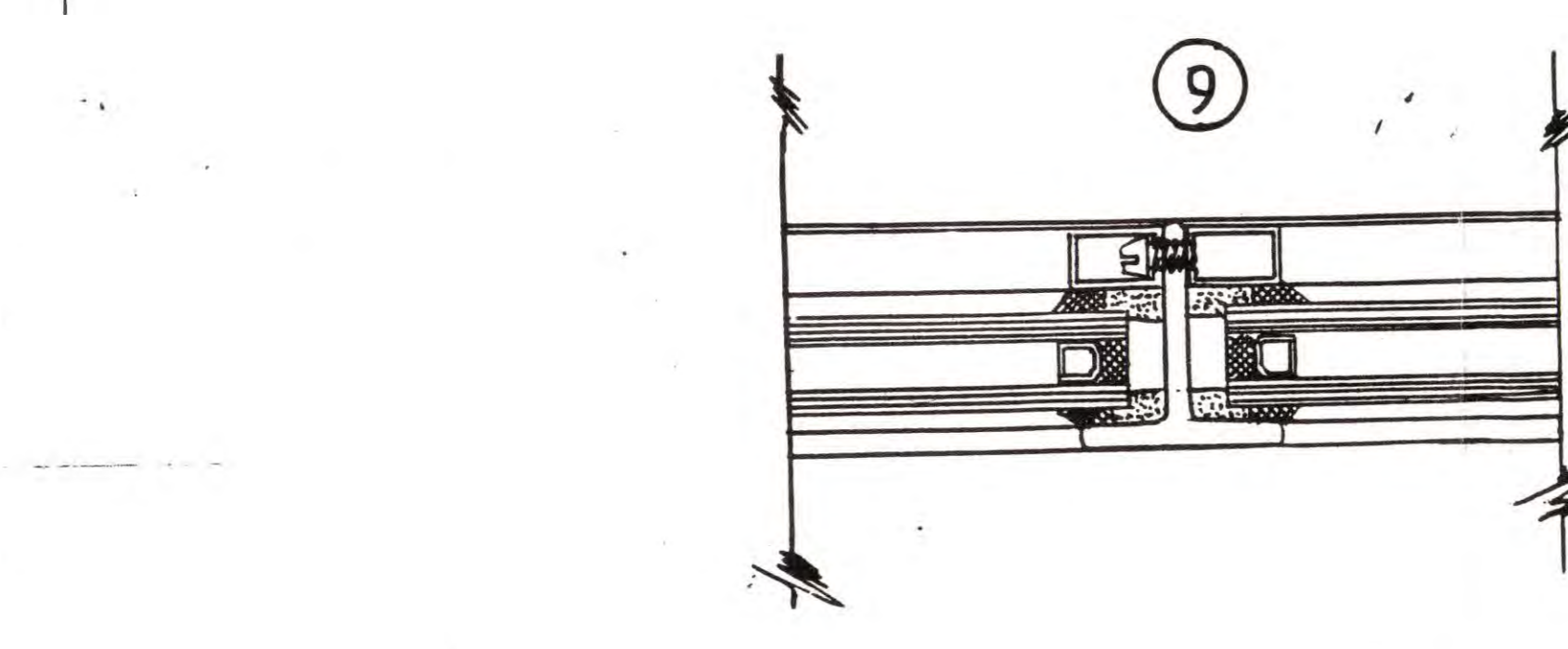
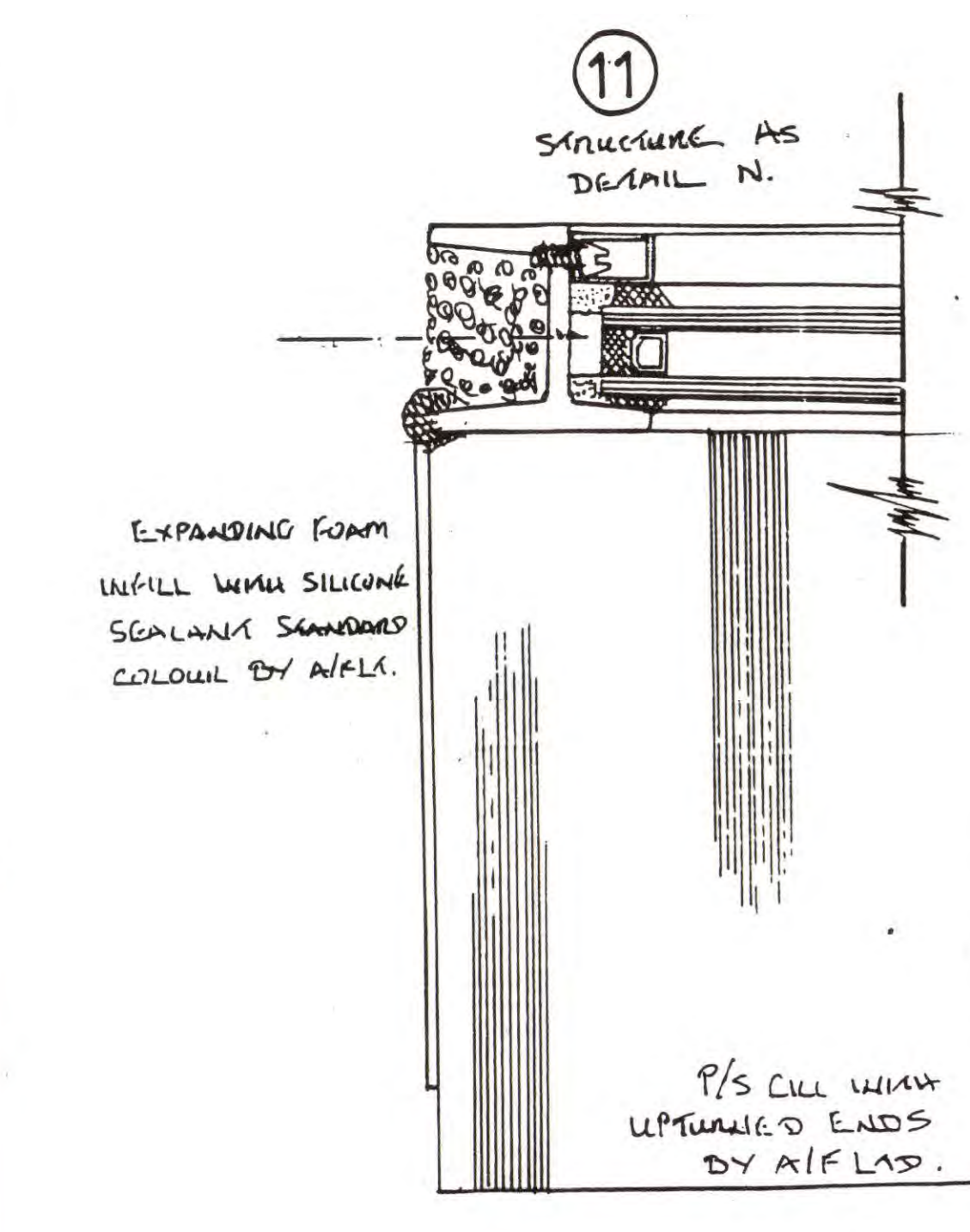
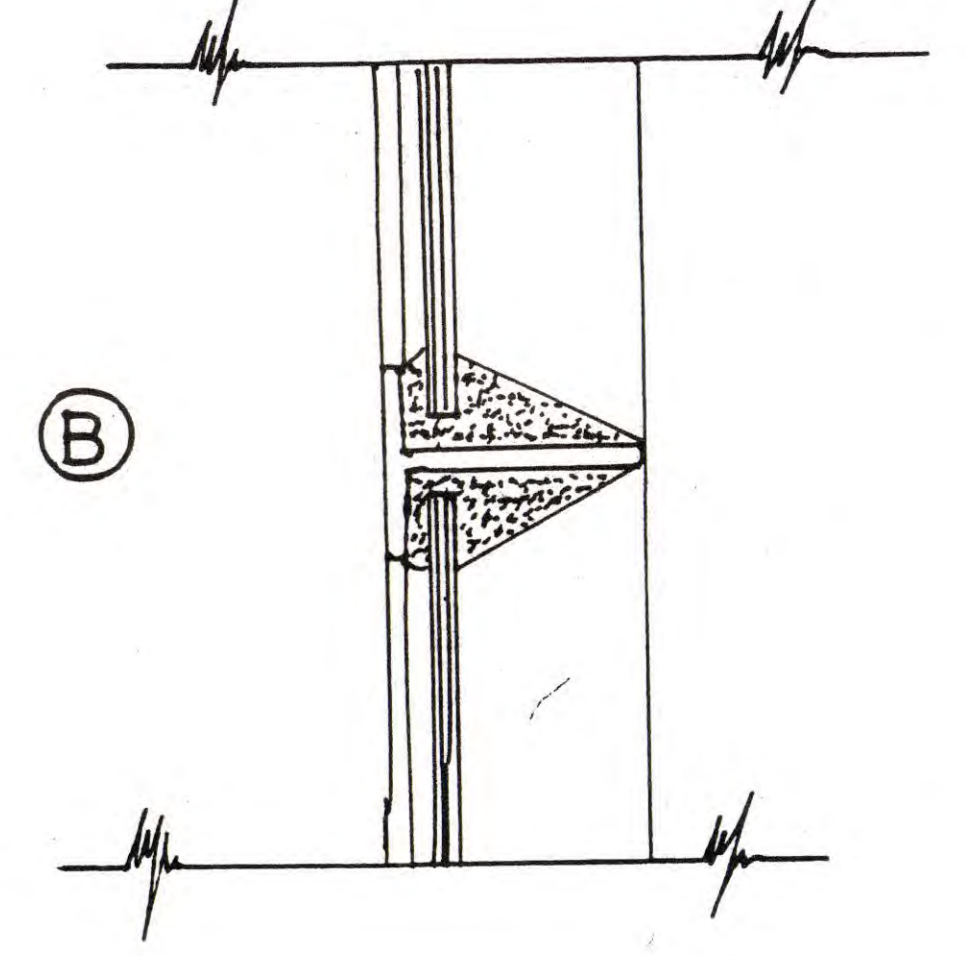
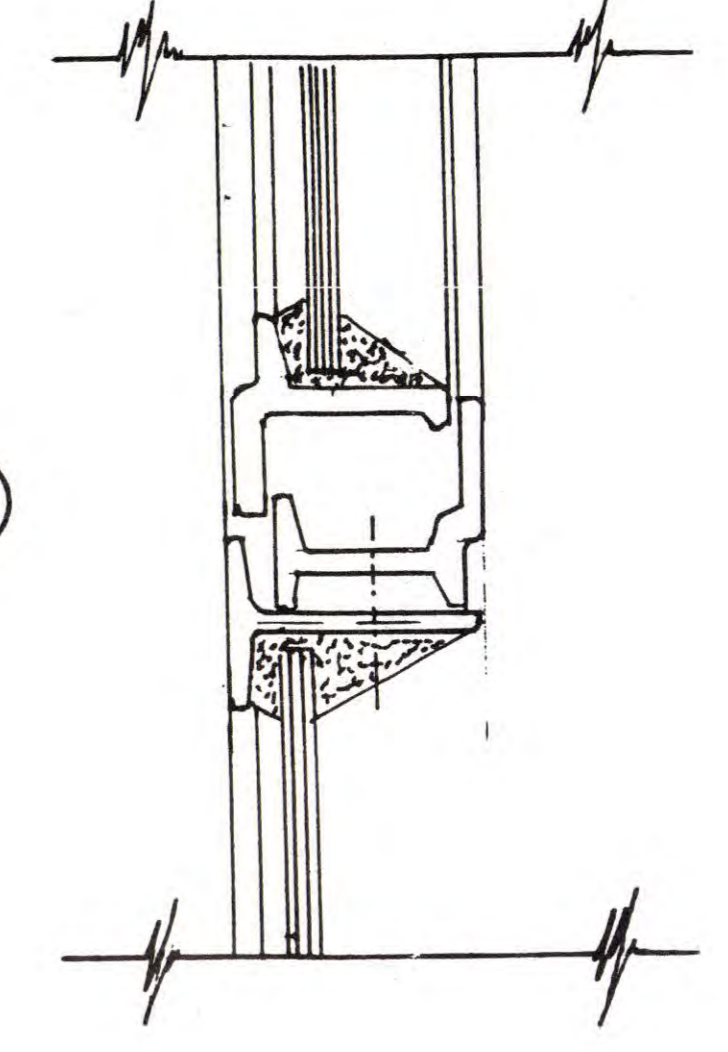
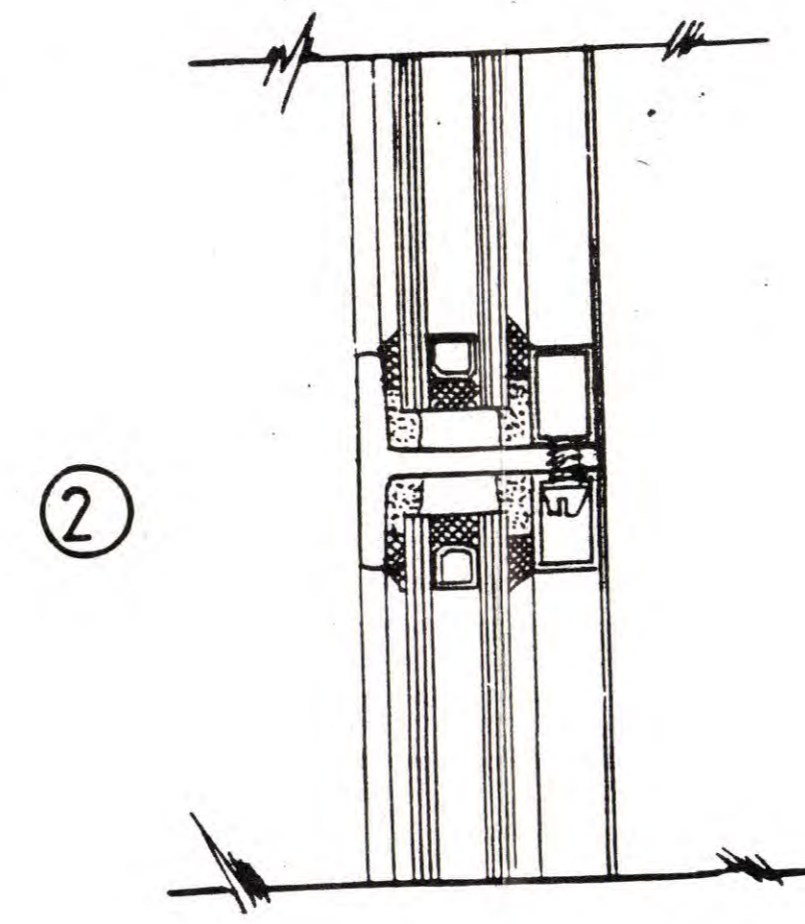
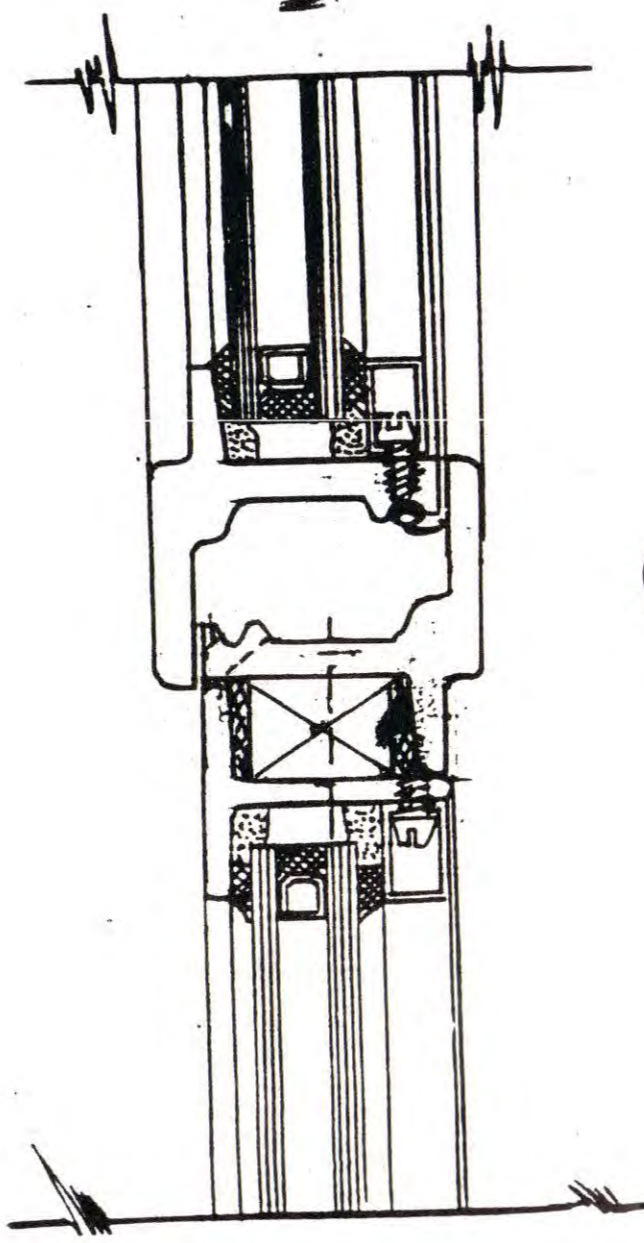
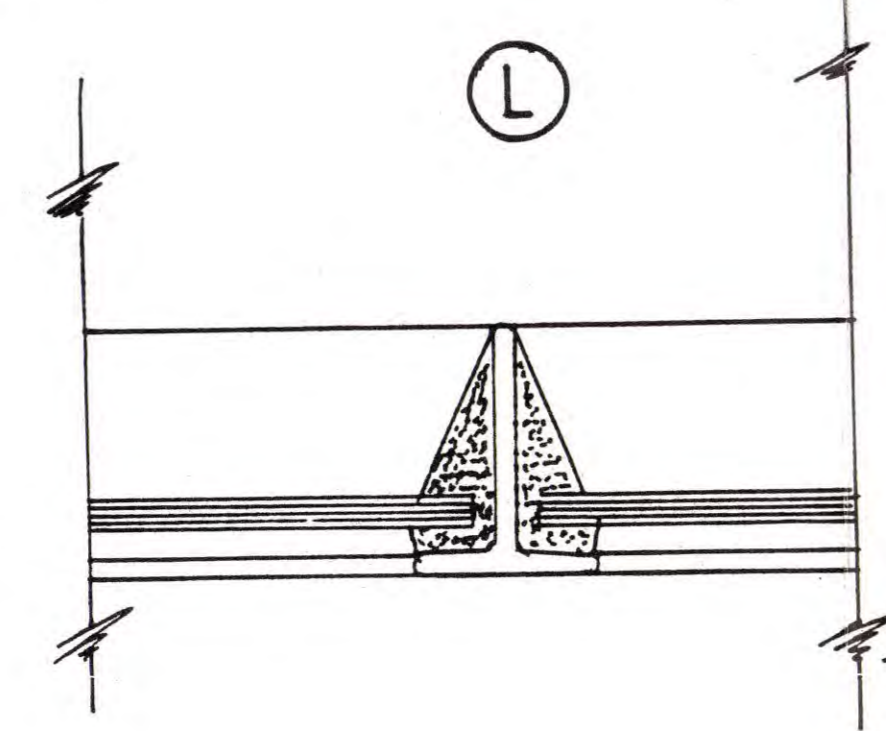
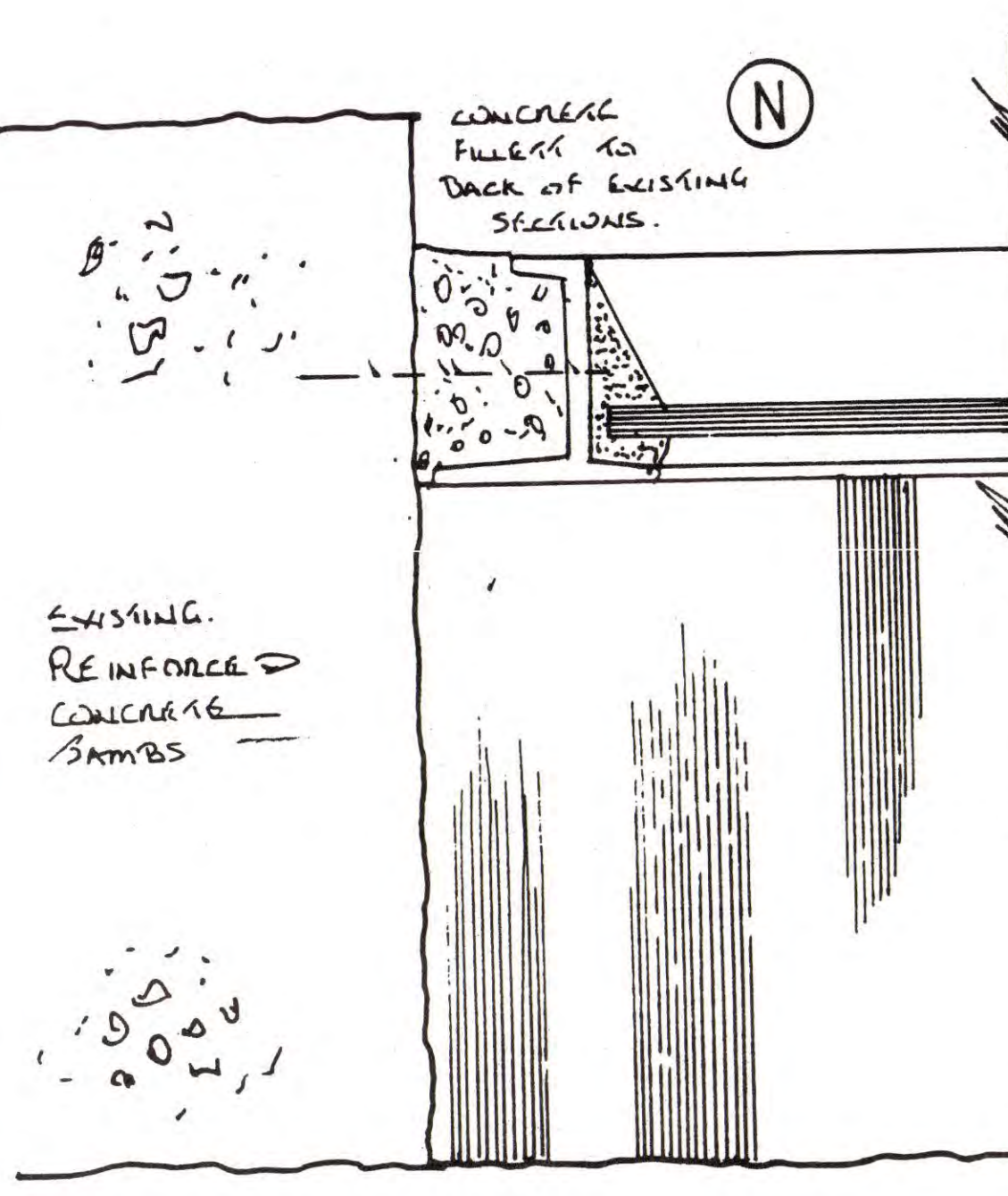
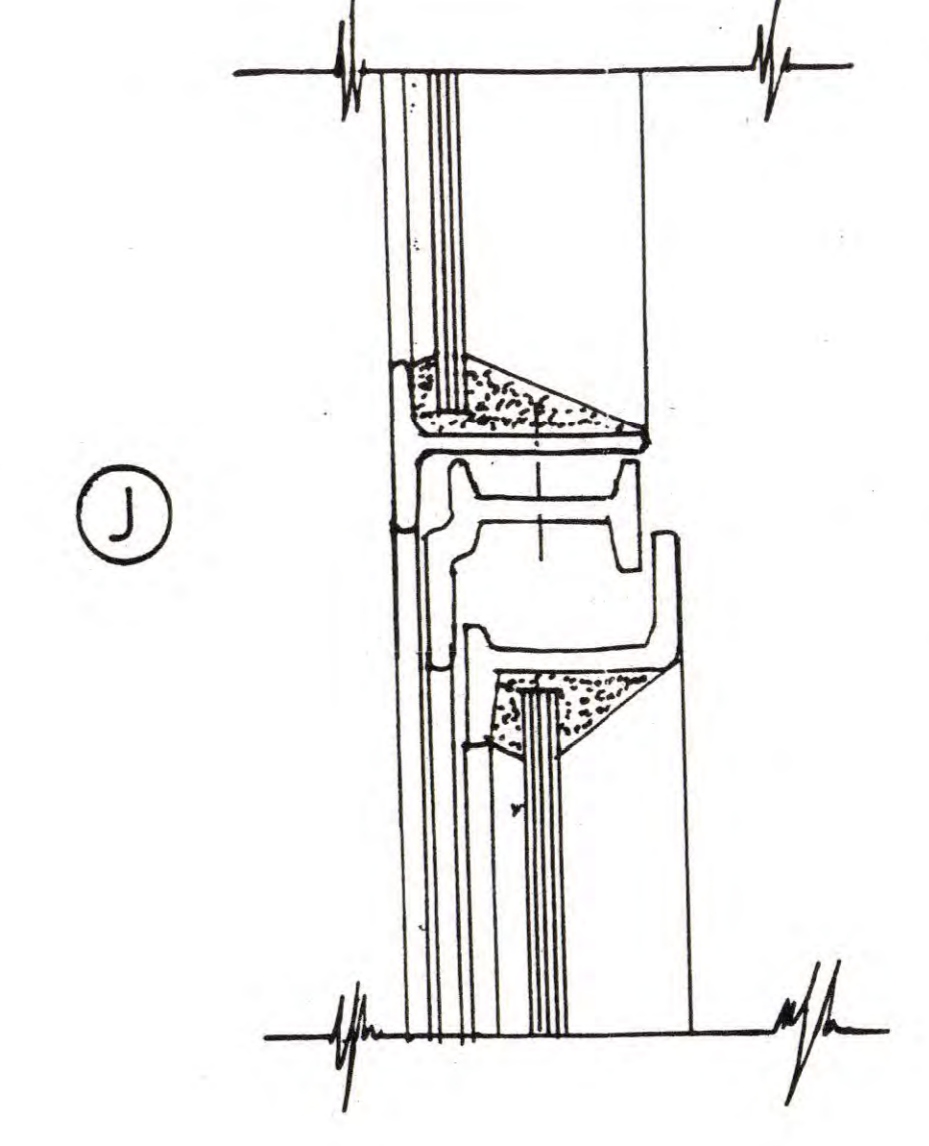
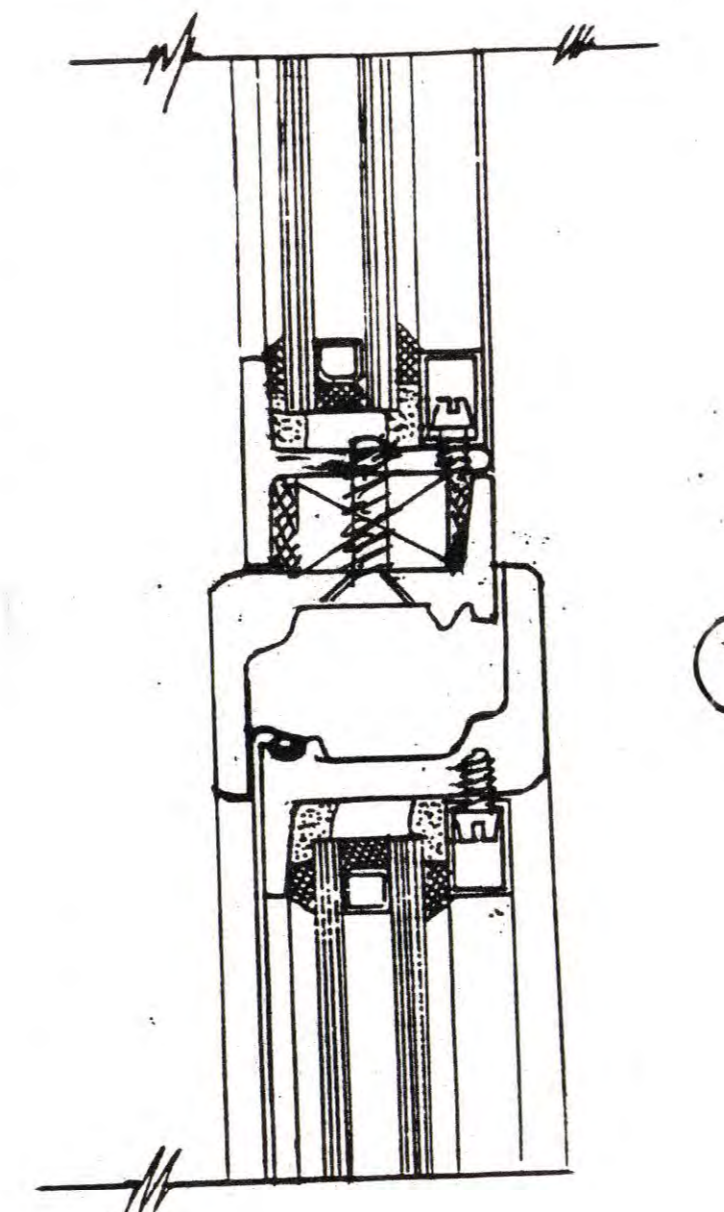
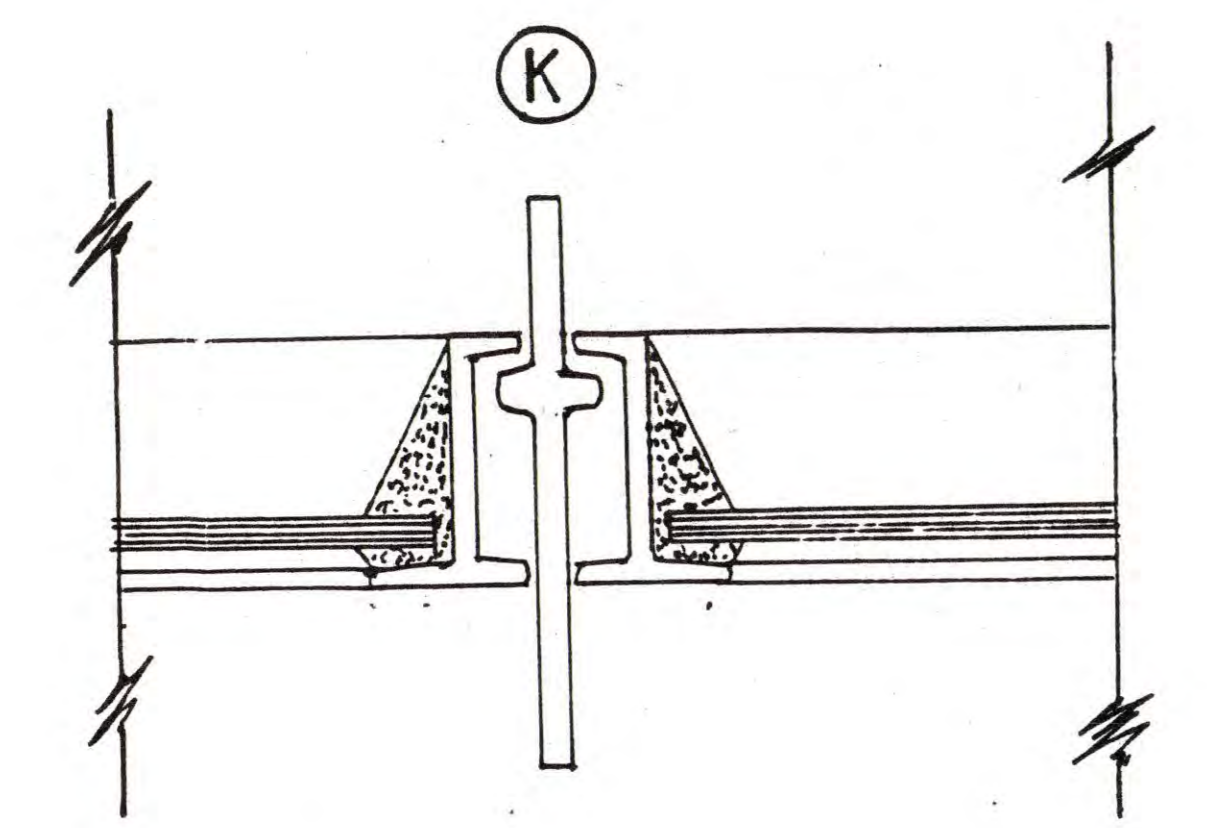
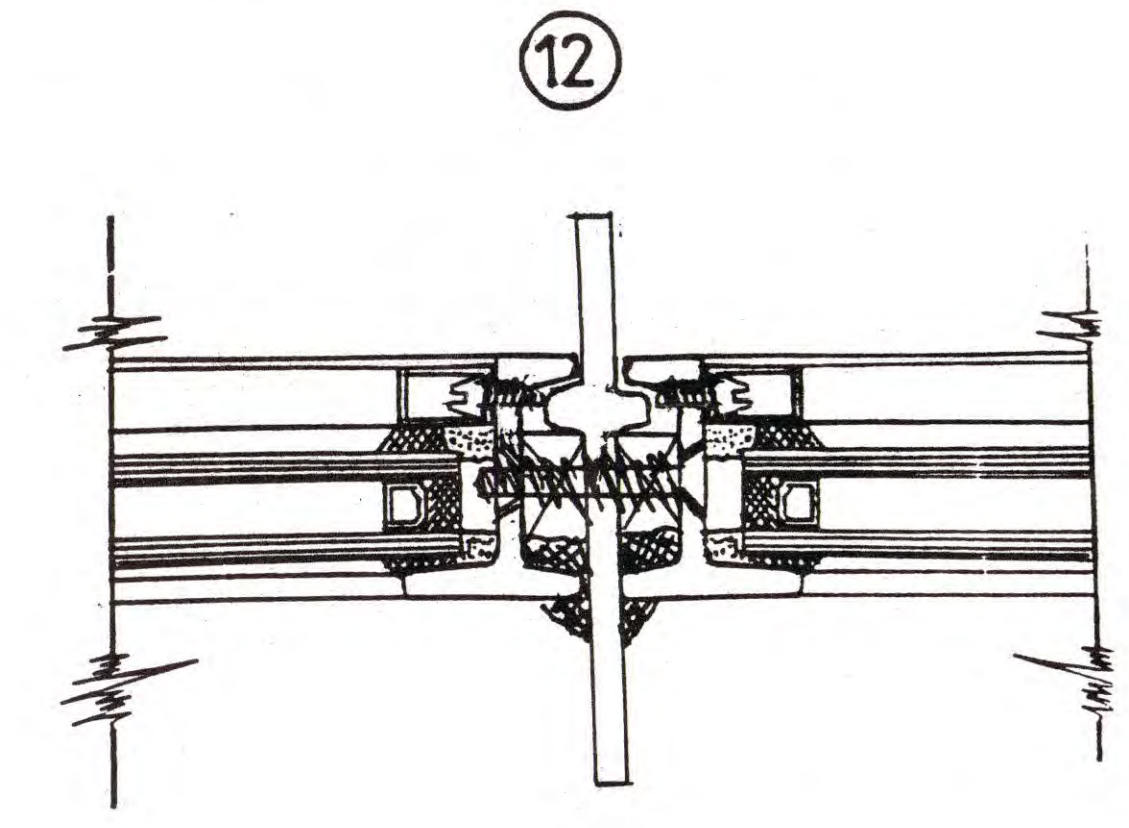
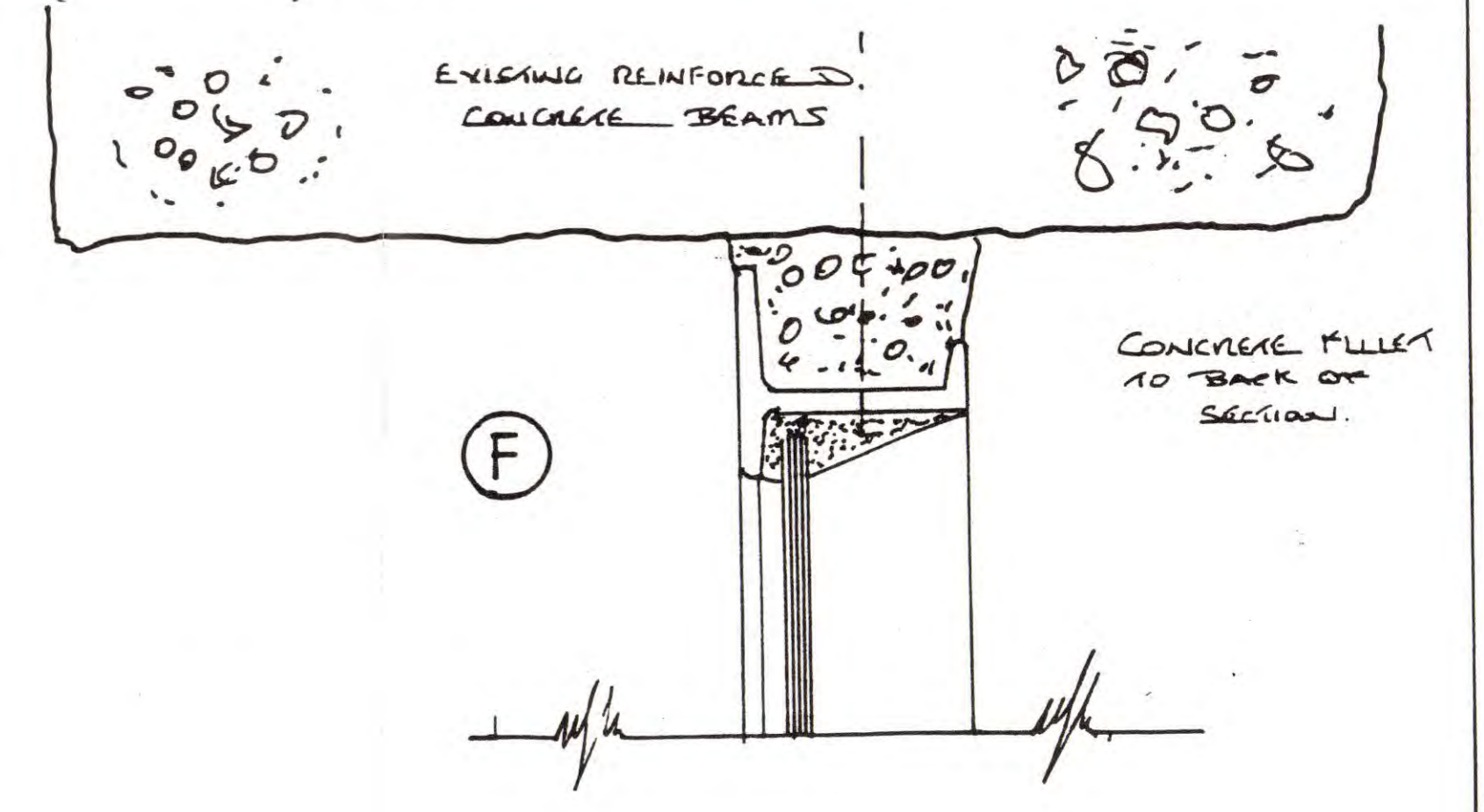
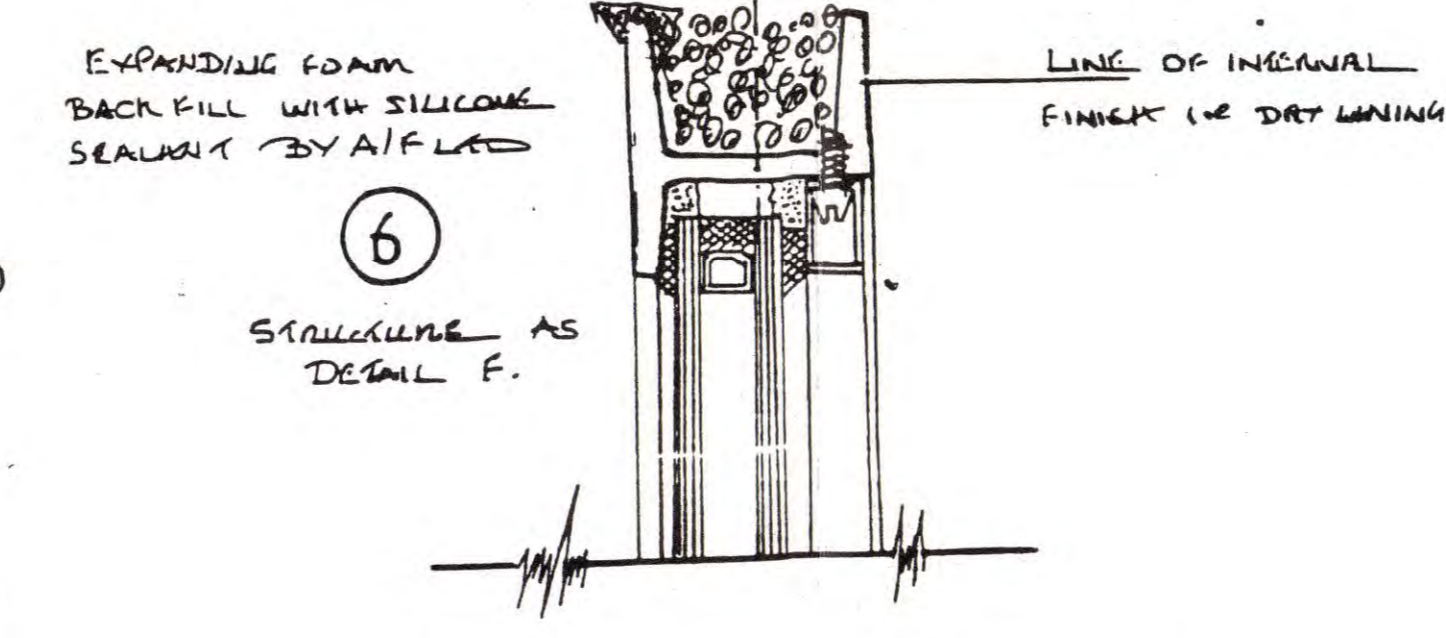


SPECIFICATION AS DRAWING 288983/1.



EXISTING WINDOWS (LEAKED DETAILS)
 INSERTED VENT CONSTRUCTION
 B/H/1 WITH SLOD SIDE CHECKS OR
 HP ON PIVOTS AND SPRING CATCH AT HEAD.

PROPOSED REPLACEMENT WINDOWS (NUMBER DETAILS)
 INSERTED VENT CONSTRUCTION
 HORIZONTAL PIVOTED CASEMENTS WEATHERSTOPPED
 HUNG ON 87° PIVOTION PIVOTS AND FIXED WITH
 SPRING CATCH AT HEAD. ROTO LONED FINISH.



PS980471121
 L980481321

anglia fixing Ltd
 281, Rayne Road,
 Braintree, Essex, CM7 2QF.

PROPOSED WINDOW RENEWAL AT 7-11 HERBRAND STREET, LONDON, WC1.

CLIENT	PASKIN KYRIAKIDES SAIDS 7 CLIFF ROAD STUDIOS LONDON NW1.		
SCALE	ELEVATION 1/20 DETAILS FULL SIZE		
DATE	JUNE 16th 1998		
DRAWN	DANIEL M. TAYLOR		
CHECKED			
DRAWING No.	288983/2.		

LONDON BOROUGH OF CAMDEN
 TOWN AND COUNCIL
 04 FEB 1999
 PLANS APPROVED
 ON BEHALF OF THE COUNCIL