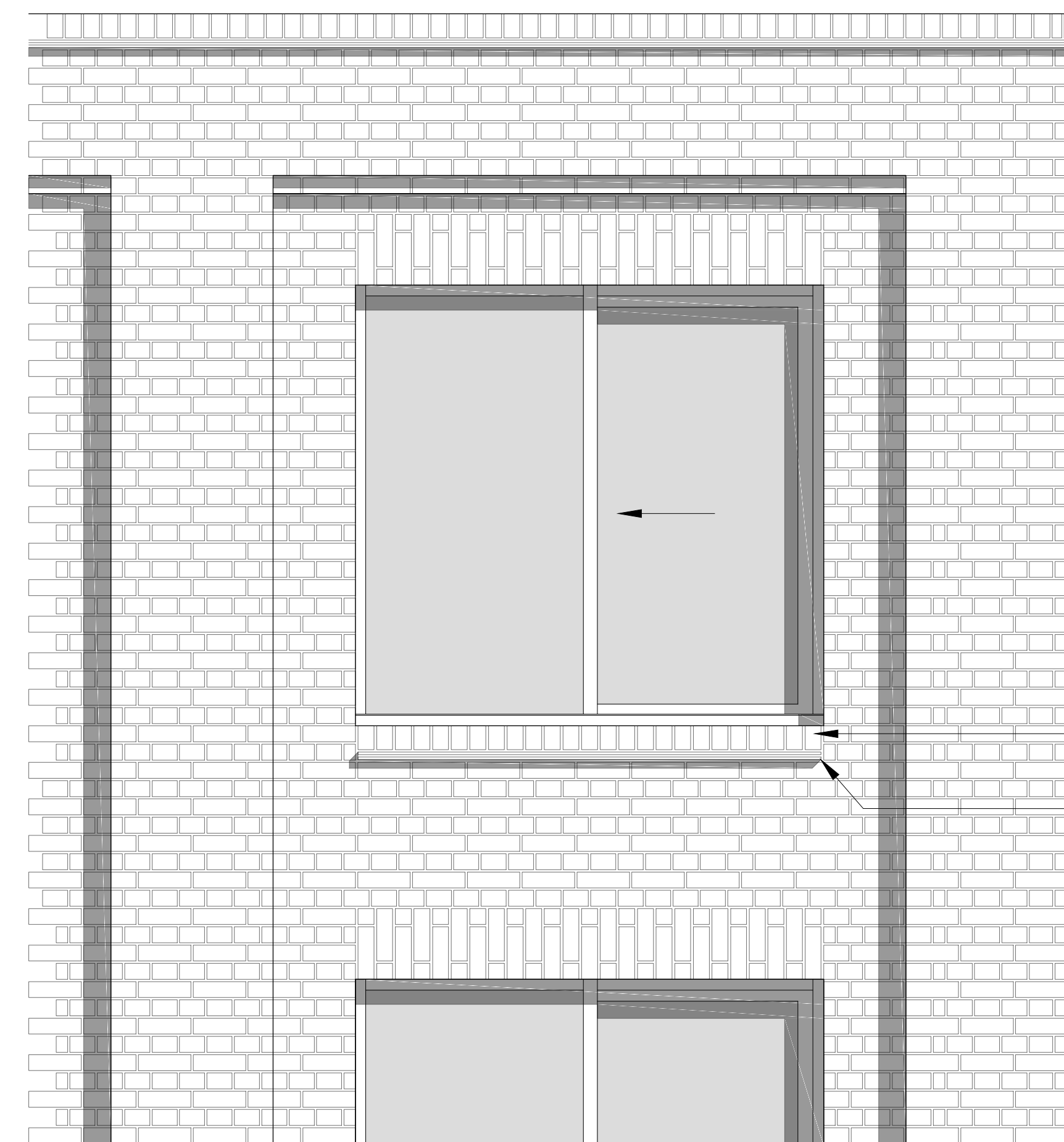


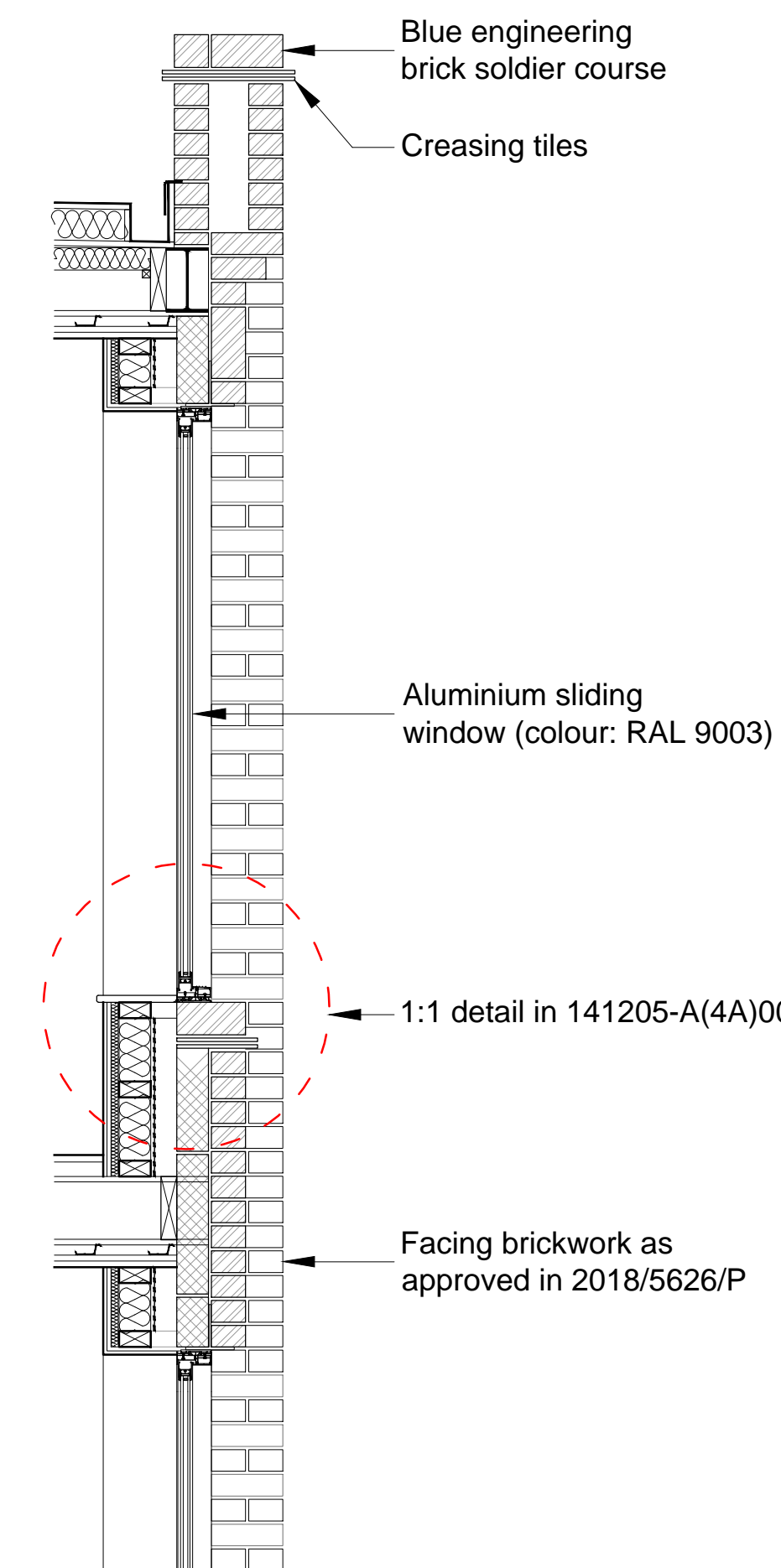
REVISIONS		
Rev.	Date	By



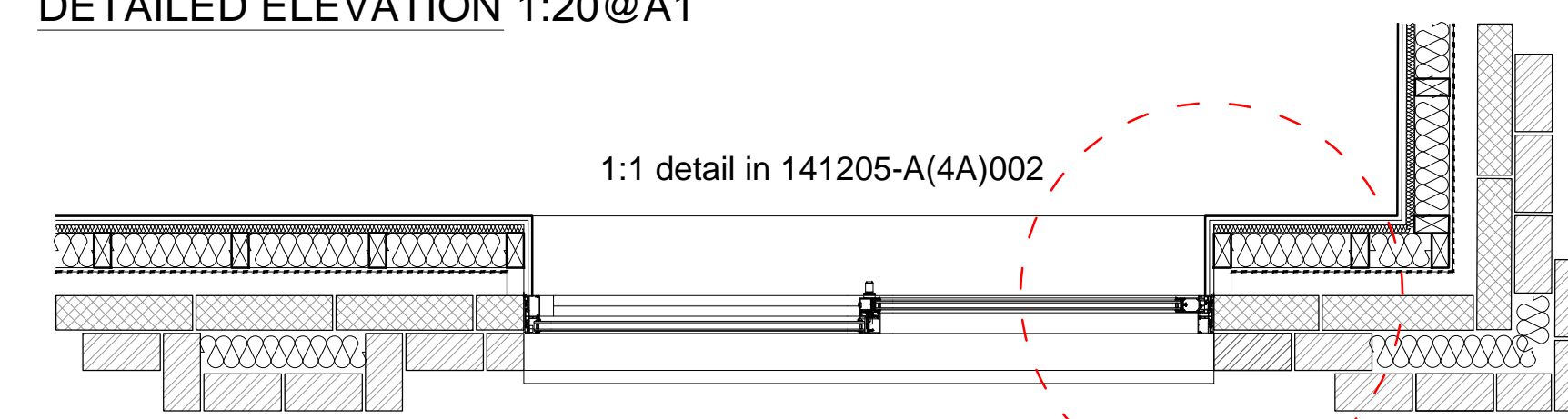
APPROVED WEST ELEVATION 1:100@A1



DETAILED ELEVATION 1:20@A1



DETAILED VERTICAL SECTION 1:20@A1



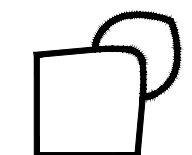
DETAILED HORIZONTAL SECTION 1:20@A1

SUBMISSION DRAWING FOR APPROVAL OF DETAILS REQUIRED BY CONDITION 4a OF PLANNING PERMISSION DATED 27/11/2015 (ref 2015/0925/P)

PLANNING APPLICATION

ALL DIMENSIONS TO BE CHECKED ON SITE  
WORK TO FIGURED DIMENSIONS ONLY  
REPORT DISCREPANCIES TO THE ARCHITECT  
AT ONCE BEFORE PROCEEDING

Contemporary Design Solutions



46 Great Marlborough Street  
London  
W1F 7JW  
Telephone: 020 7494 9000 Fax: 020 7494 4944

Client

RISETALL LTD

Project Title

17, 27 & 25 Ferdinand Street,  
LONDON NW1

Drawing Title

Proposed Window Bays of  
Rear Extension and 25 Ferdinand St

Scale 1: AS NOTED Date January 2020

Drawn LV Checked -

Drawing No. Rev.

141205-A(4A)001 -

CAD plot date: 23 Jan 2020 - 12:22pm