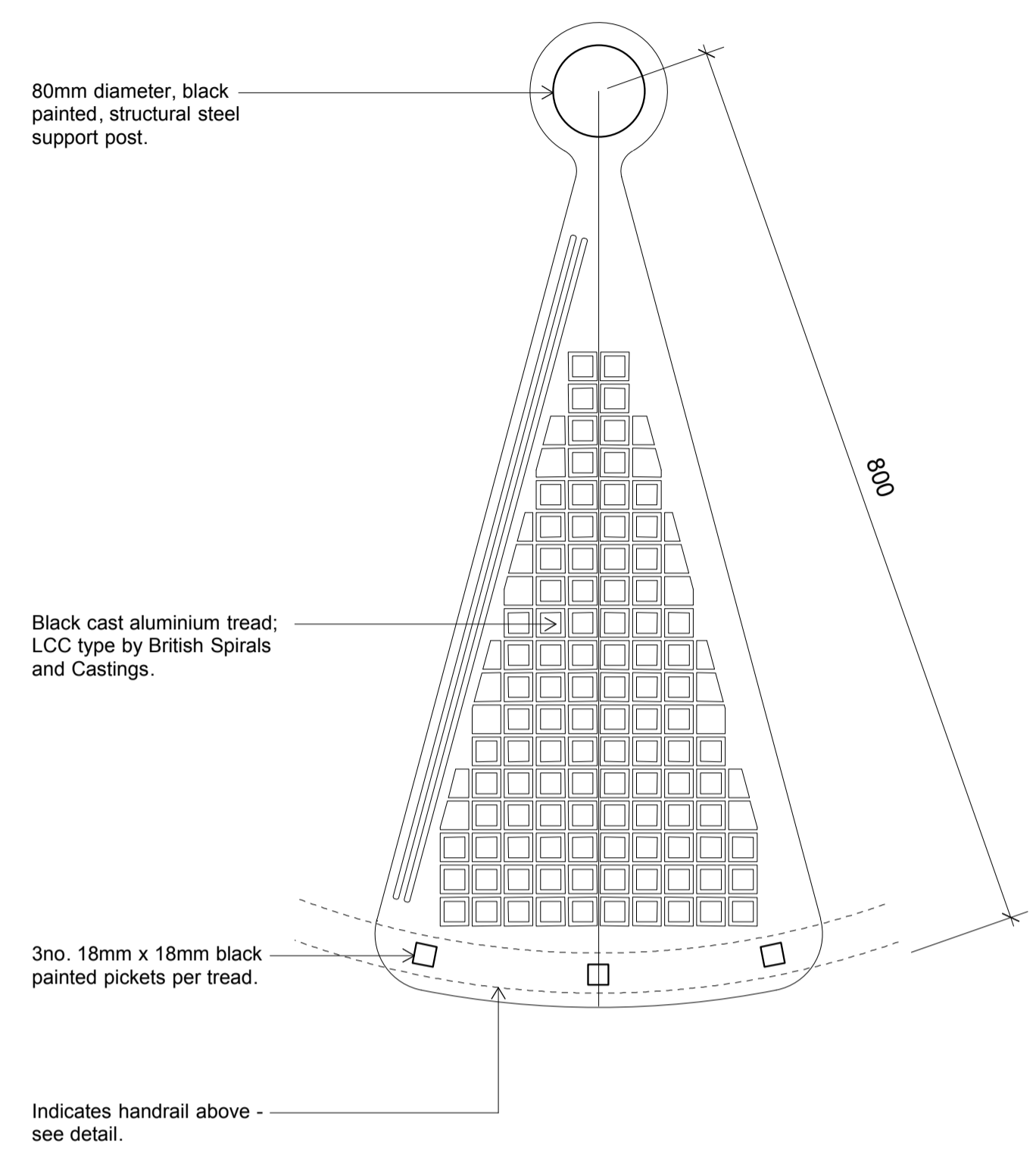
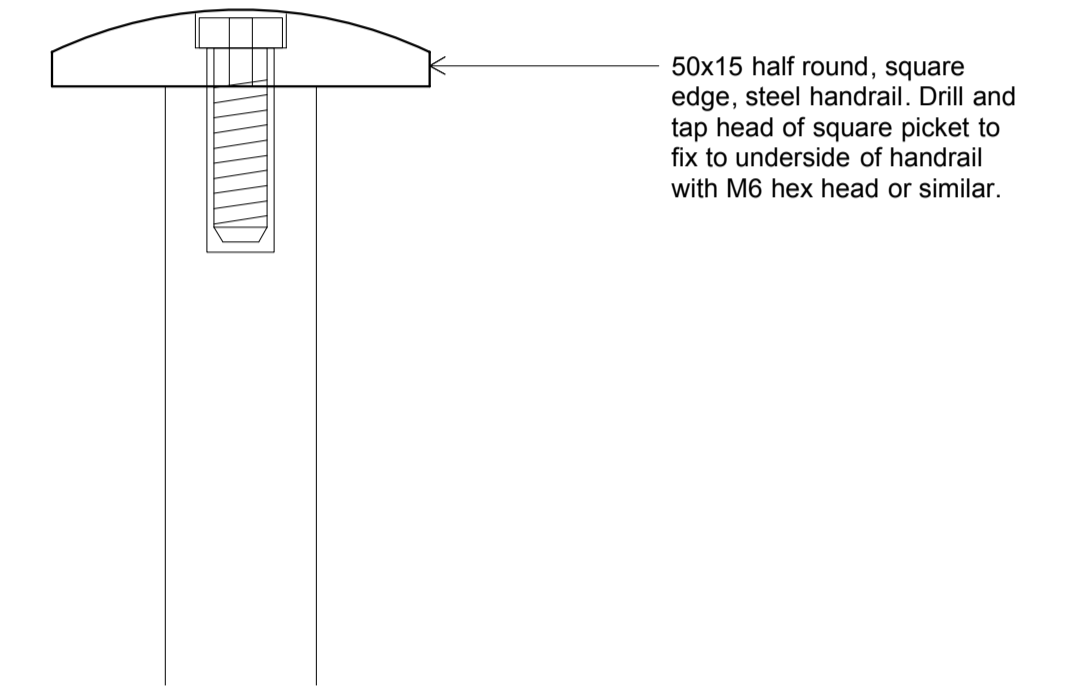


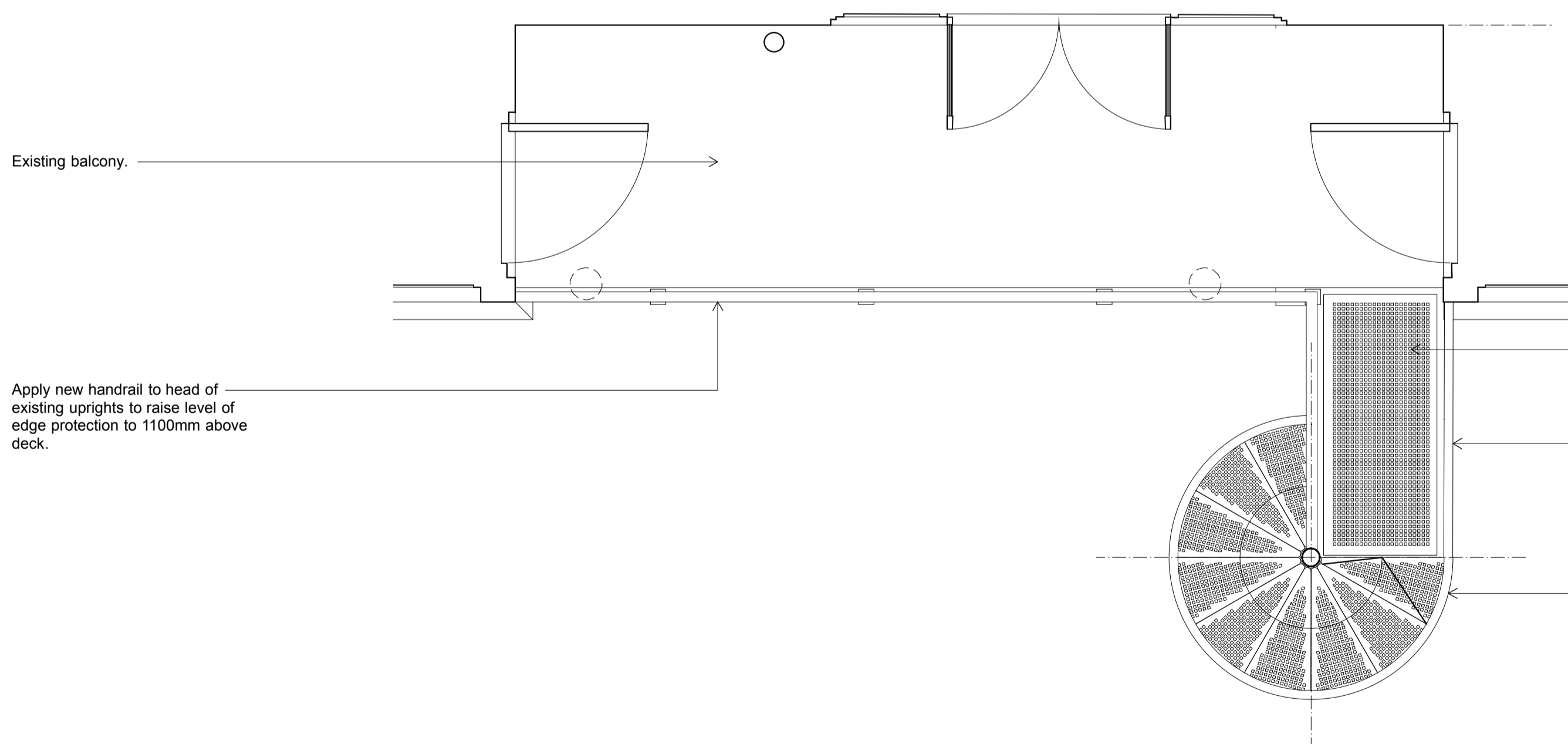
(A)50 SPIRAL STAIR - ELEVATION
1:25



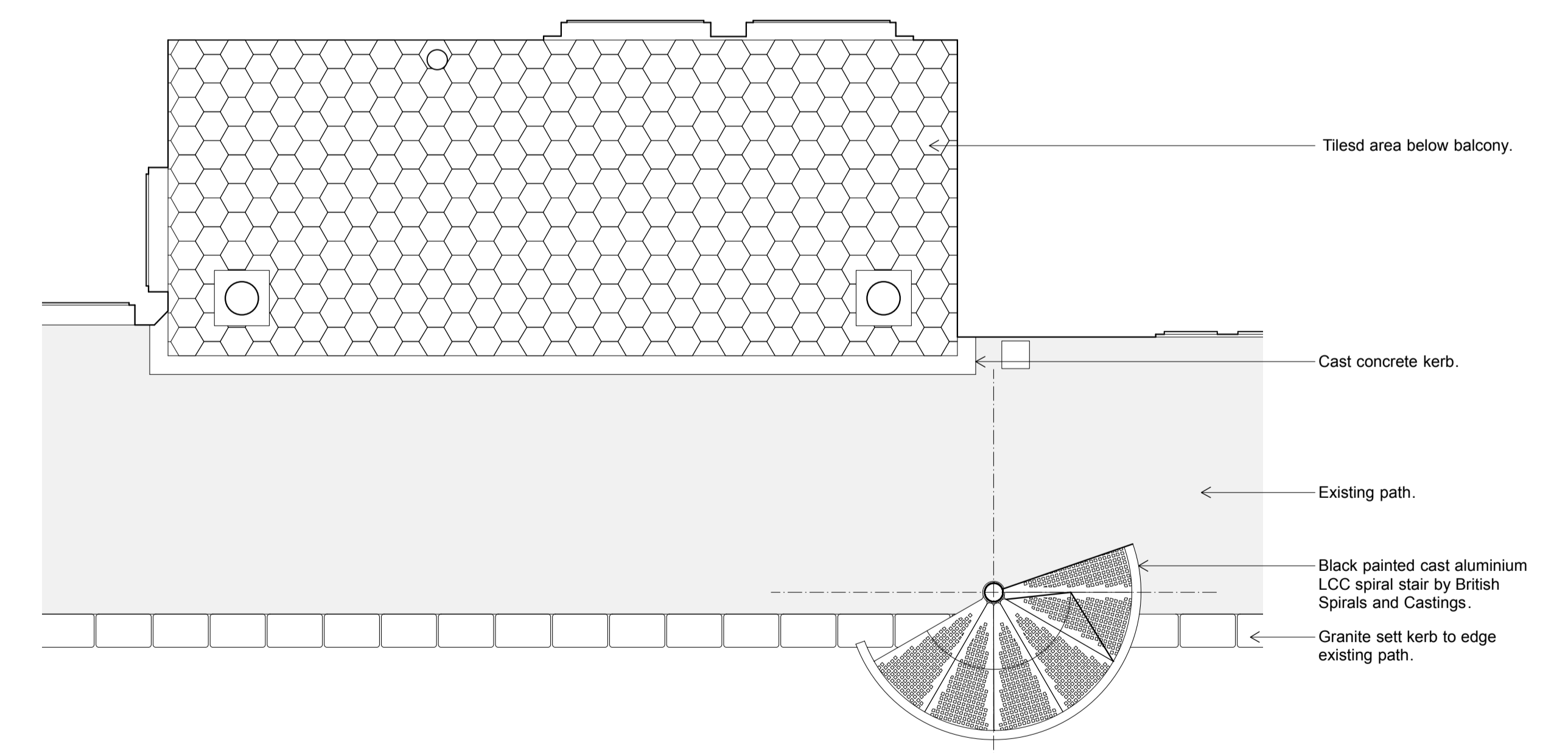
(A)50 SPIRAL STAIR - TREAD DETAIL
1:5



(A)50 SPIRAL STAIR - HANDRAIL DETAIL
1:1

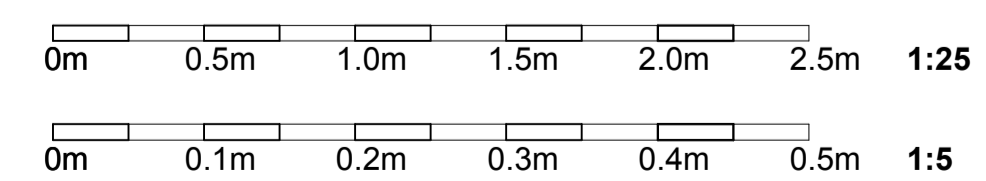


(A)50 - SPIRAL STAIR - FIRST FLOOR PLAN
1:25



(A)50 SPIRAL STAIR - GROUND FLOOR PLAN
1:25

NOTES:
© t A Greig Limited- All rights described in Chapter IV of the Copyright, Designs and Patents Act 1988 have been asserted. This drawing is to be read in conjunction with the specification and all relevant drawings.
Contractor to check all dimensions on site. Do not scale from this drawing.
t A Greig Limited to be advised of any variation between the drawings and site conditions.



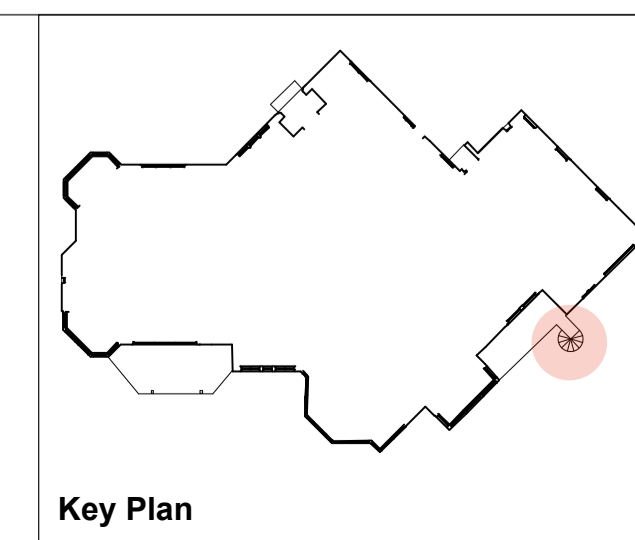
Rev	Date	Description
-	14.01.2020	Issued for discharge of Condition 4b) Consent ref. 2019/2902/P
-	12.11.2019	Issued for costing

Project Number
840

Client
TK Construction

Description
Details

Location
The Wabe, 66 Redington Road, London, NW3 7RS



Drawing Title
SPIRAL STAIR DETAILS

Drawn	Checked	Approved
AB	AG	-

Date	Scale	Status
12.11.19	1:25, 1:5 & 1:1 @A1	Planning

Drawing Number
840_(PL)50

Revision
-

Architecture + Engineering

T A Greig Ltd.
10 Edna Street
London
SW11 3DP

020 7228 6236
office@tagreig.co.uk
tagreig.co.uk