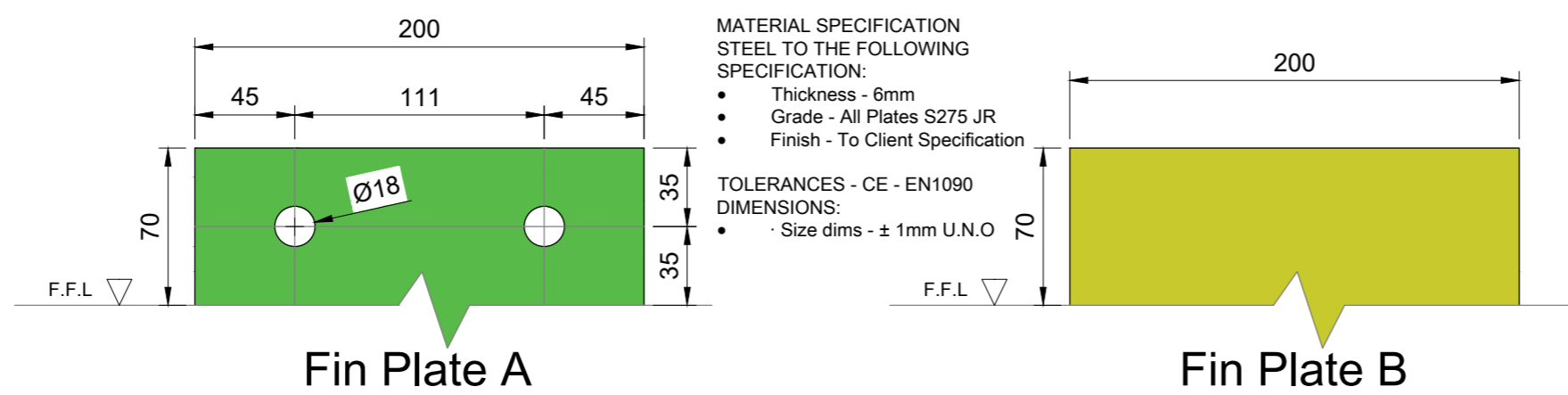


Fin Plate Location Plan



MATERIAL SPECIFICATION
STEEL TO THE FOLLOWING SPECIFICATION:

- Thickness - 6mm
- Grade - All Plates S275 JR
- Finish - To Client Specification

TOLERANCES - CE - EN1090
DIMENSIONS:

- Size dims - ± 1mm U.N.O



Status

Client
Mr. T Woodham
Specialist Fit Out Contractors
Project
Block A, Unit 3, Nub End Ind. Est.
Nub End
Old Knebworth, SG3 6QJ
Title
Fin Plate Location Plan
And Fin Plate Details

Job No. 007_S
Drawing No. DRG01
Revision No. 00
Scale: 1:20/1:3 @ A2