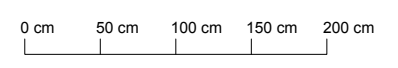


Black glass

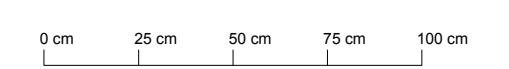
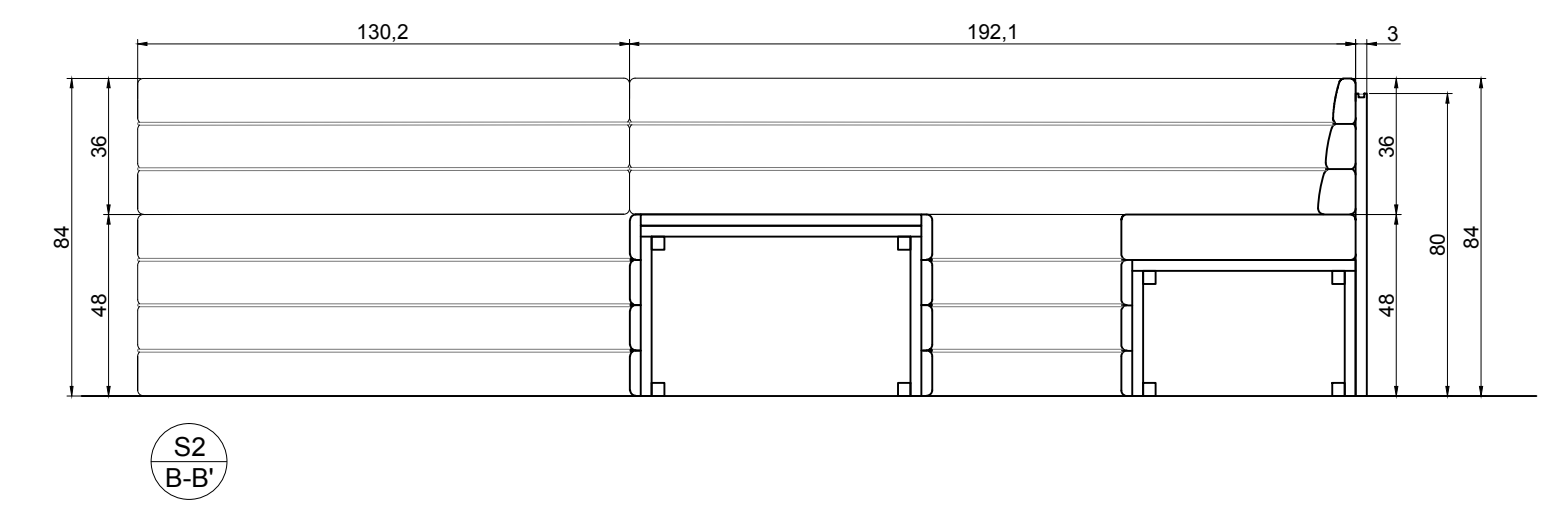
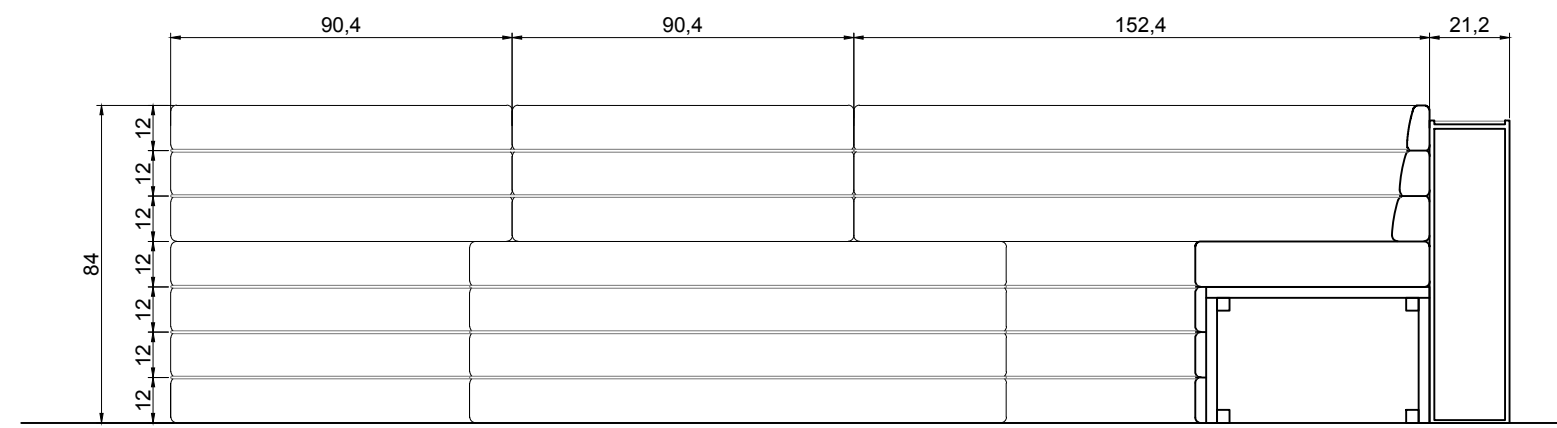
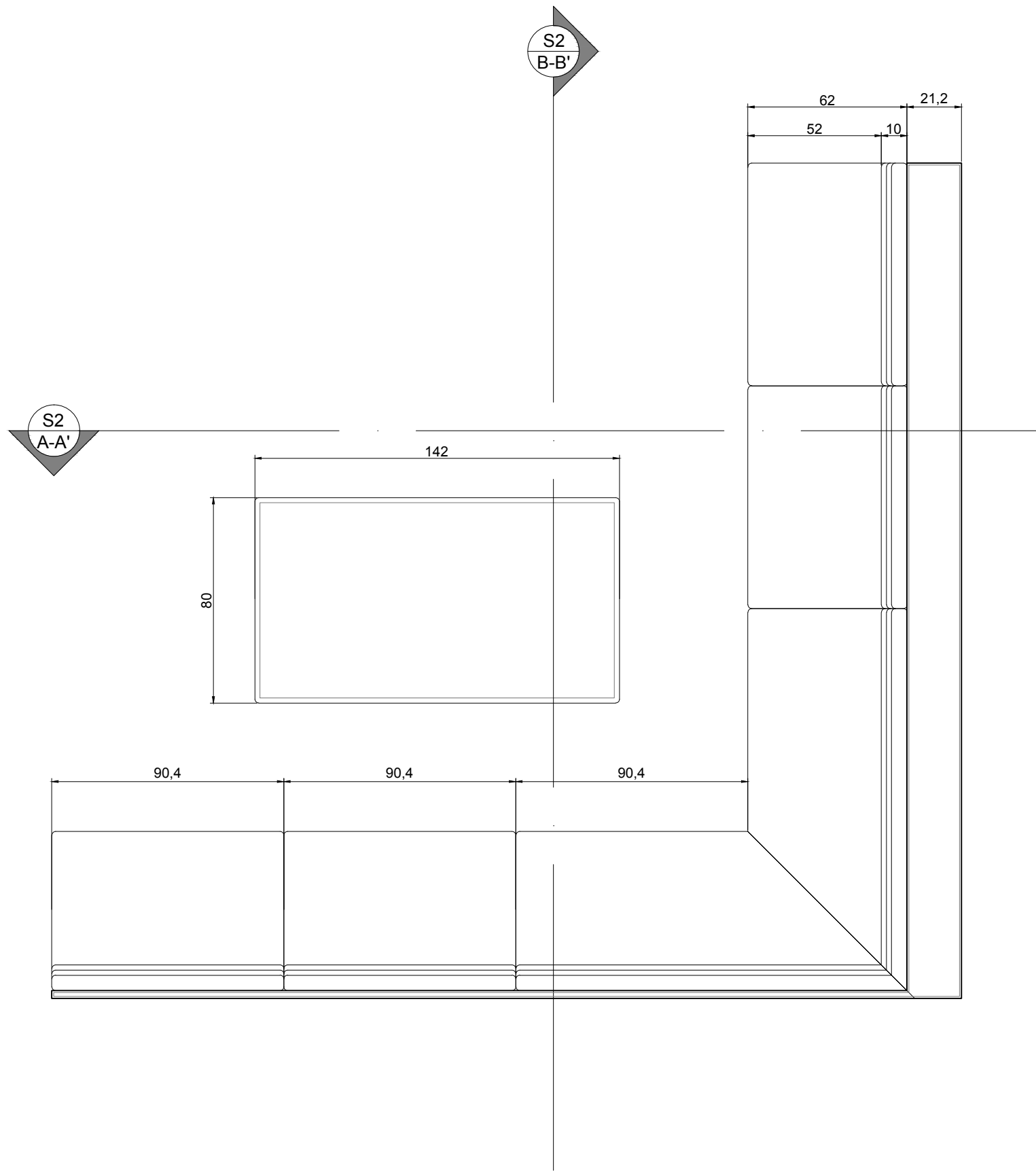


LEGENDA		

NOTES	

DRAWING DETAIL	PROJECT DETAIL	DETAIL
DRAWING:	Interior design	External Reference Architects
Manikin head	LOCALITZACIÓ:	Carmelo Zappulla
SCALE:	Percy Street 2	NIF X7032449S
1:50	London,	
Nº DRAWING	CLIENT:	DATA:
7.1	Presented By	25.07.2019

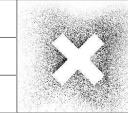


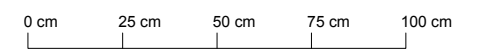
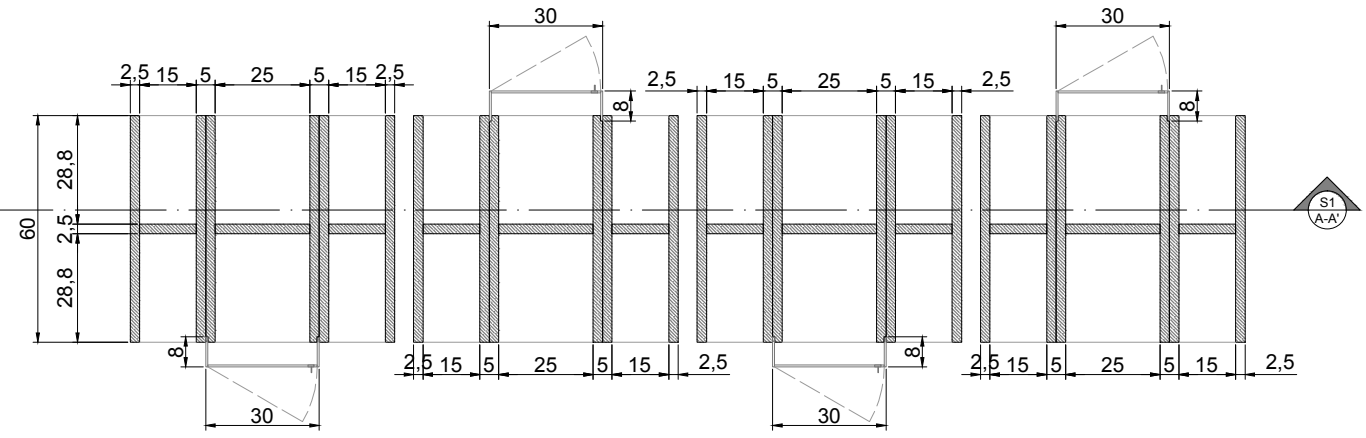
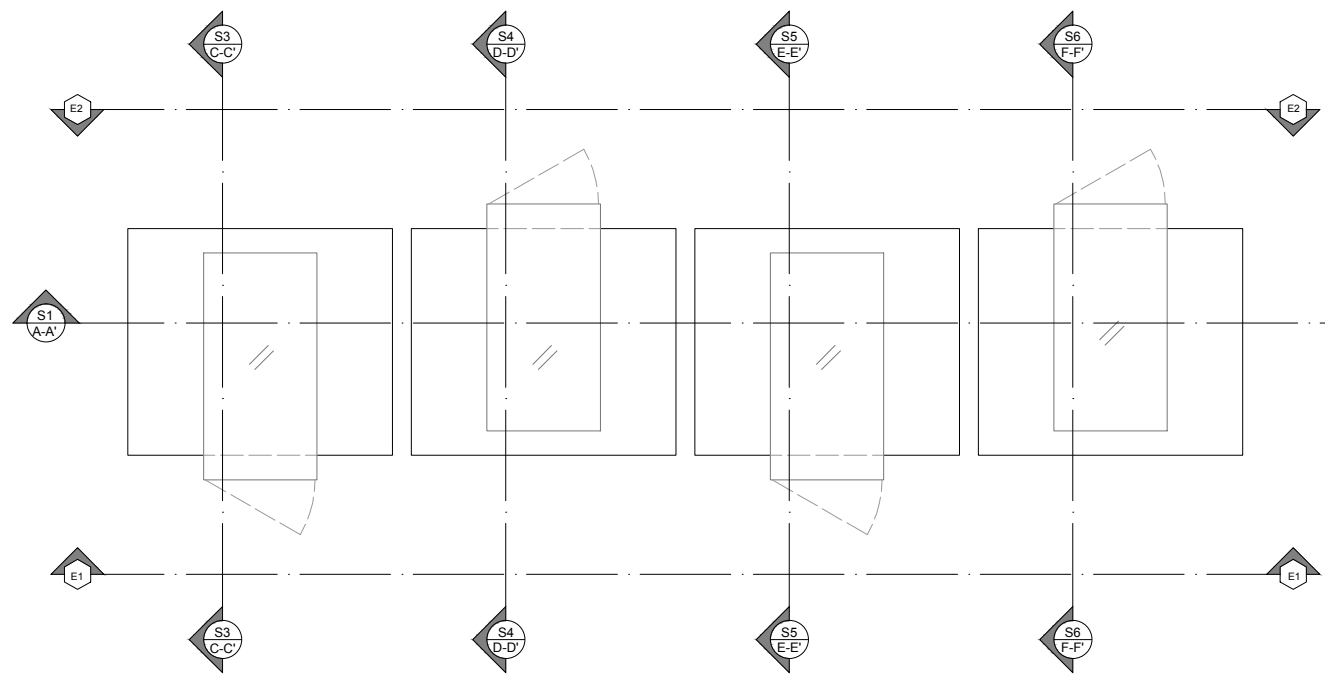
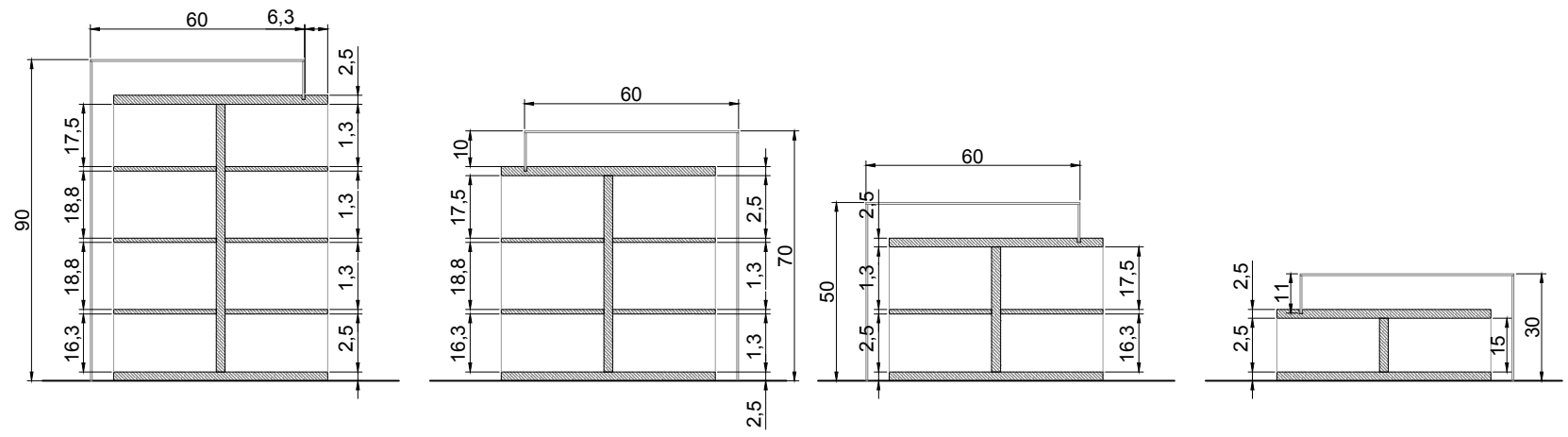
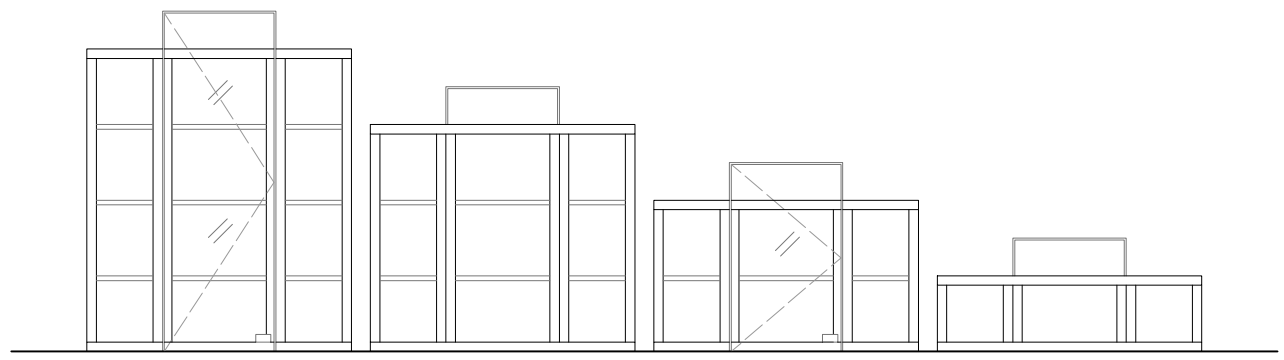
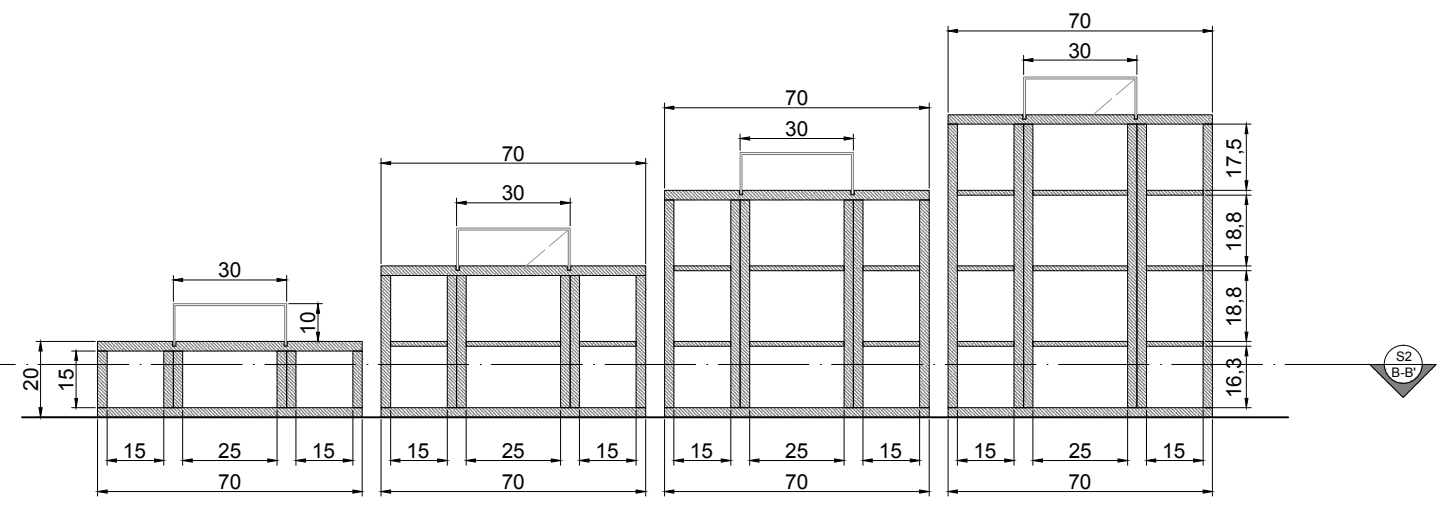
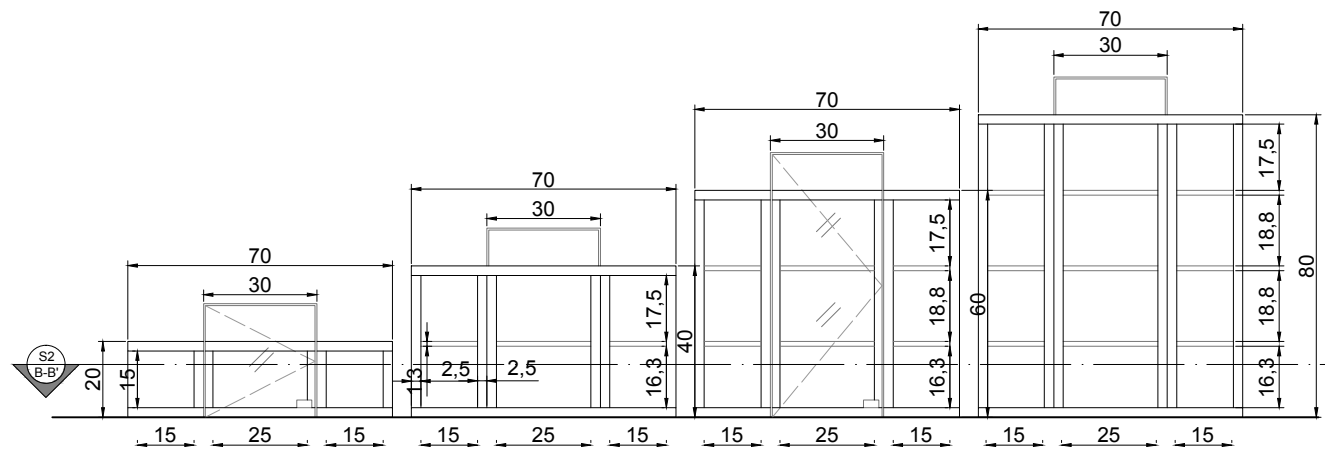


LEGENDA		

NOTES	

DRAWING DETAIL	PROJECT DETAIL	DETAIL
DRAWING:	Interior design	External Reference Architects
SF.2	LOCALITZACIÓ:	Carmelo Zappulla
SCALE:	Percy Street 2	NIF X7032449S
1:20	London,	
Nº DRAWING	CLIENT:	DATA:
7.2	Presented By	25.07.2019

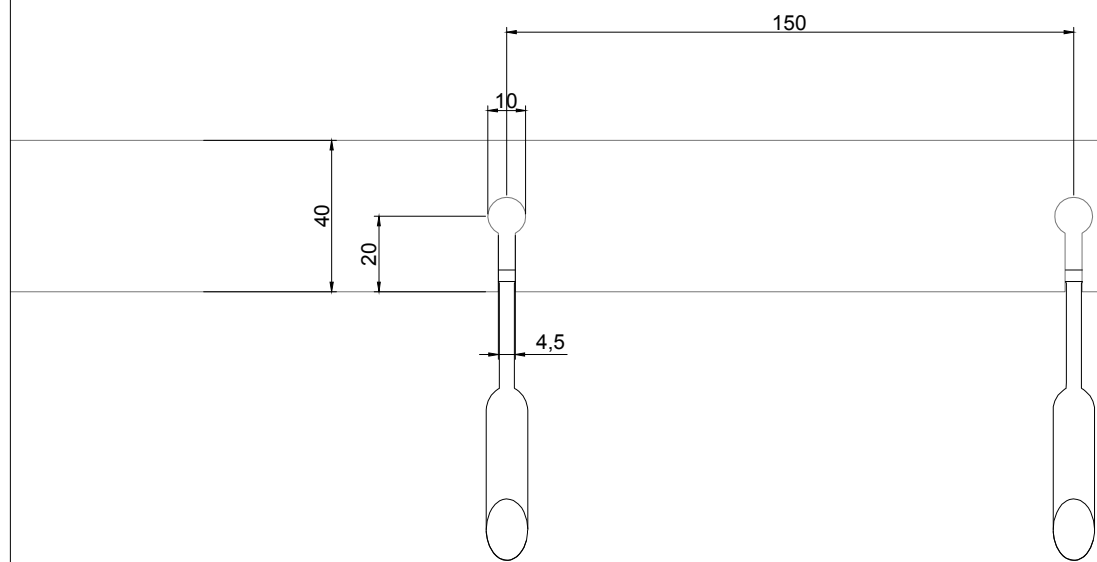
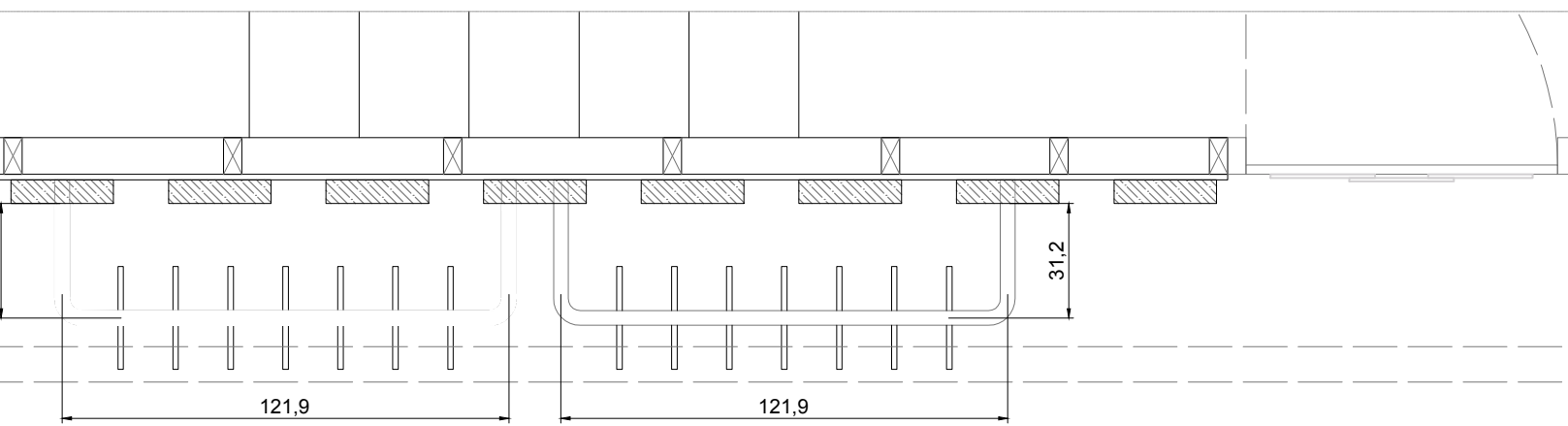
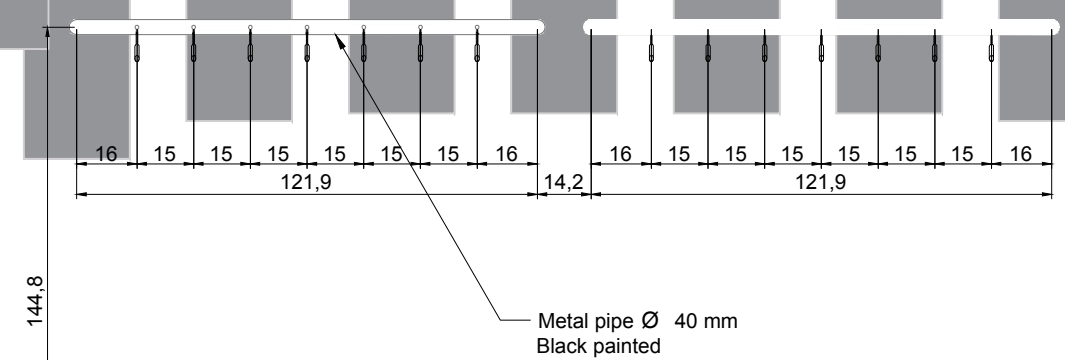
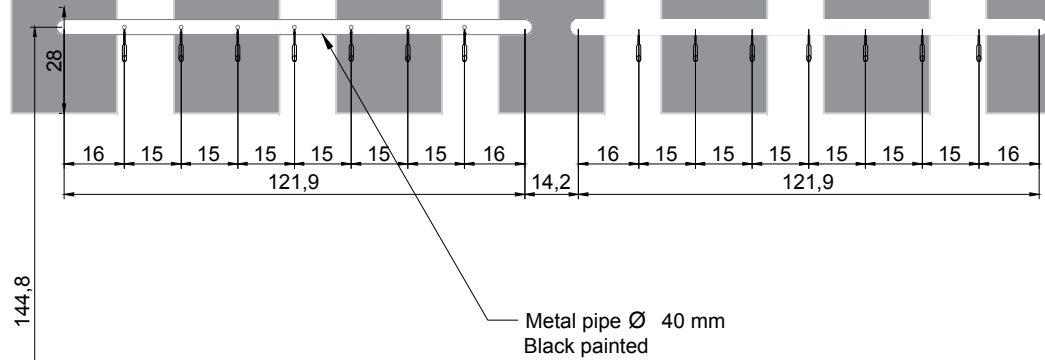




LEGENDA		NOTES	DRAWING DETAIL	PROJECT DETAIL	DETAIL
			DRAWING:	Interior design	External Reference Architects
			Display case 4	LOCALITZACIÓ:	Carmelo Zappulla
			SCALE:	Percy Street 2	NIF X7032449S
			1:20	London,	
			Nº DRAWING	CLIENT:	DATA:
			7.3	Presented By	25.07.2019



0 cm 25 cm 50 cm 75 cm 100 cm



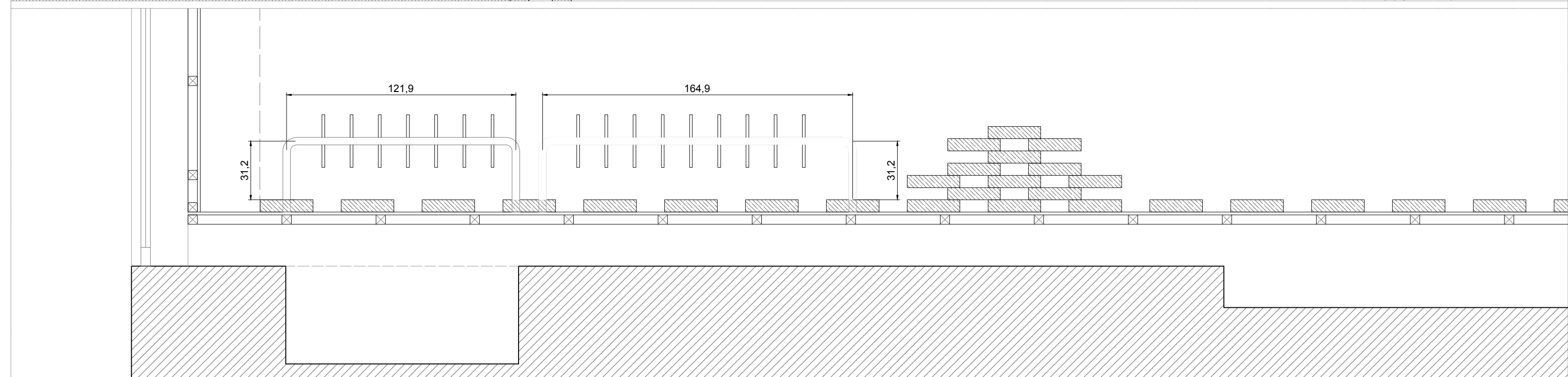
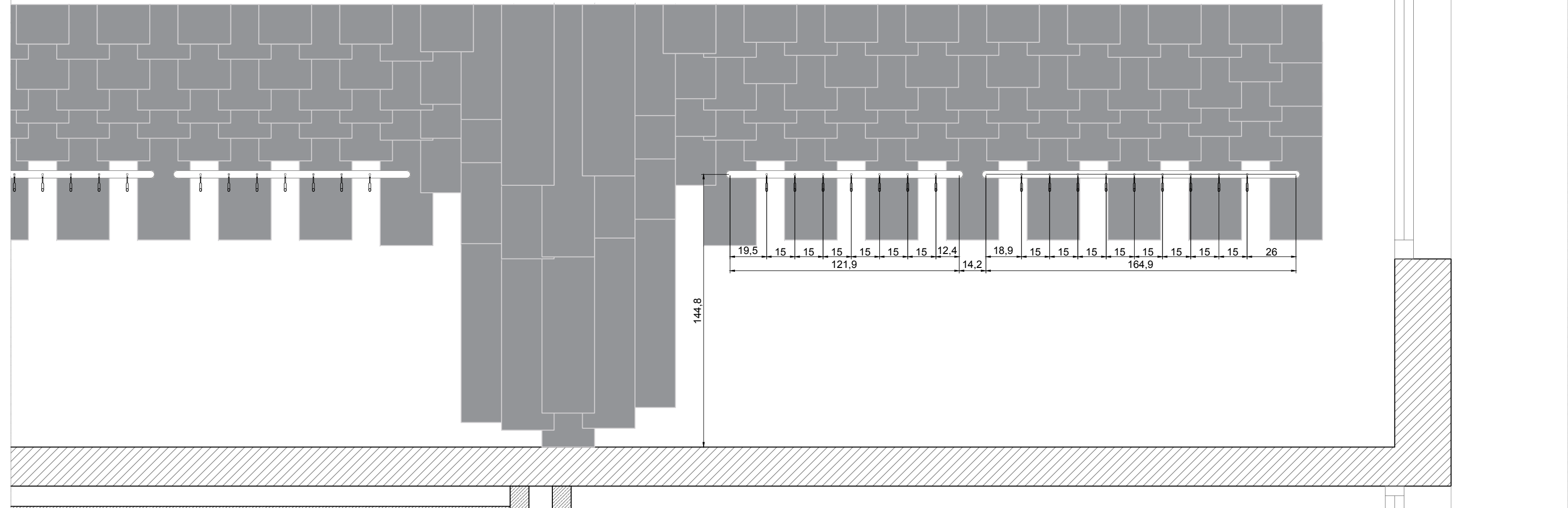
LEGENDA		

NOTES		

DRAWING DETAIL	PROJECT DETAIL	DETAIL
DRAWING:	Interior design	External Reference Architects
SH_1	LOCALITZACIÓ:	Carmelo Zappulla
SCALE:	Percy Street 2	NIF X7032449S
1:20	London,	
Nº DRAWING	CLIENT:	DATA:
7.4	Presented By	25.07.2019



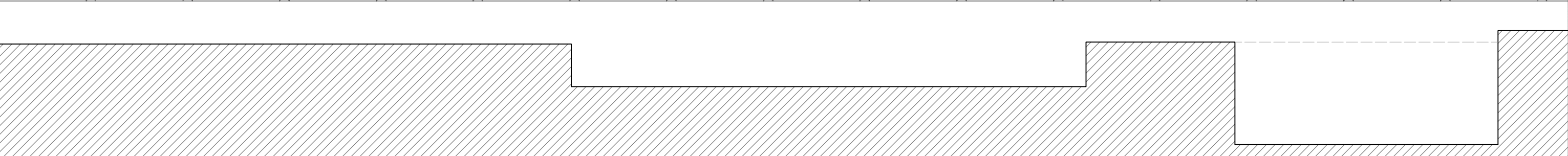
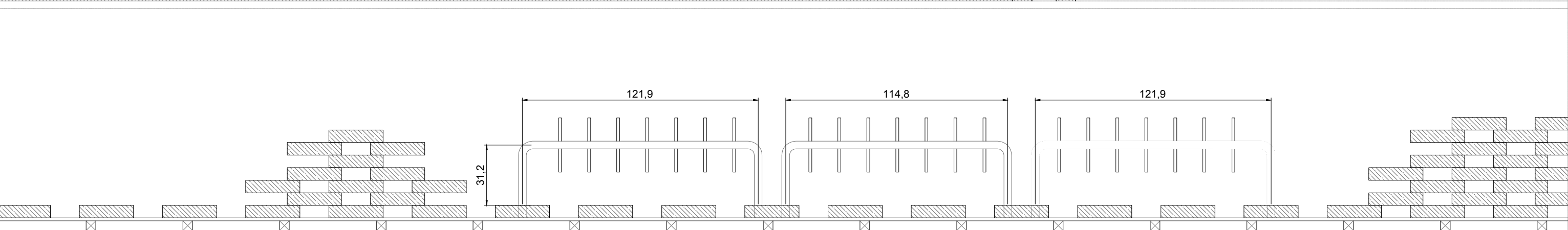
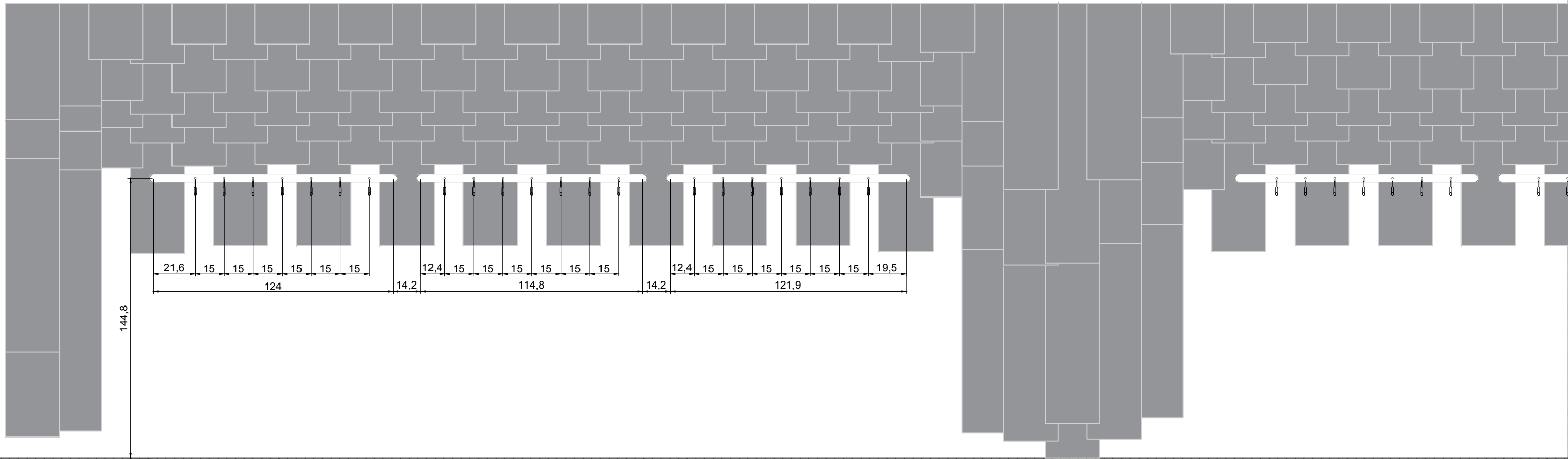
0 cm 25 cm 50 cm 75 cm 100 cm



LEGENDA		NOTES		DRAWING DETAIL	PROJECT DETAIL	DETAIL
				DRAWING:	Interior design	External Reference Architects
				SH_2	LOCALITZACIÓ:	Carmelo Zappulla
				SCALE:	Percy Street 2	NIF X7032449S
				1:20	London,	
				Nº DRAWING	CLIENT:	DATA:
				7.5	Presented By	25.07.2019

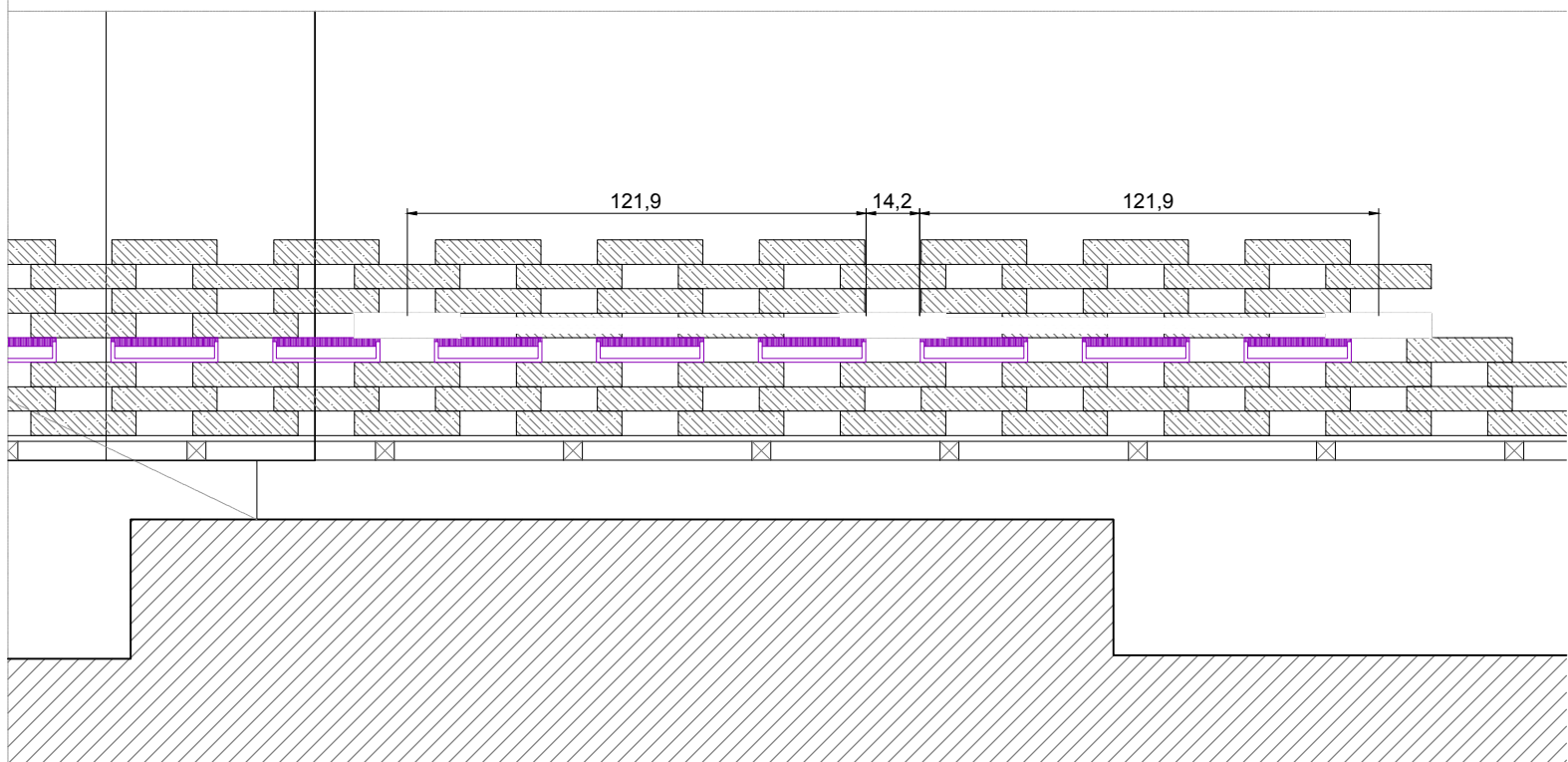
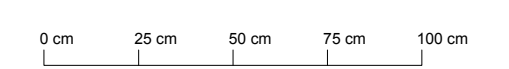
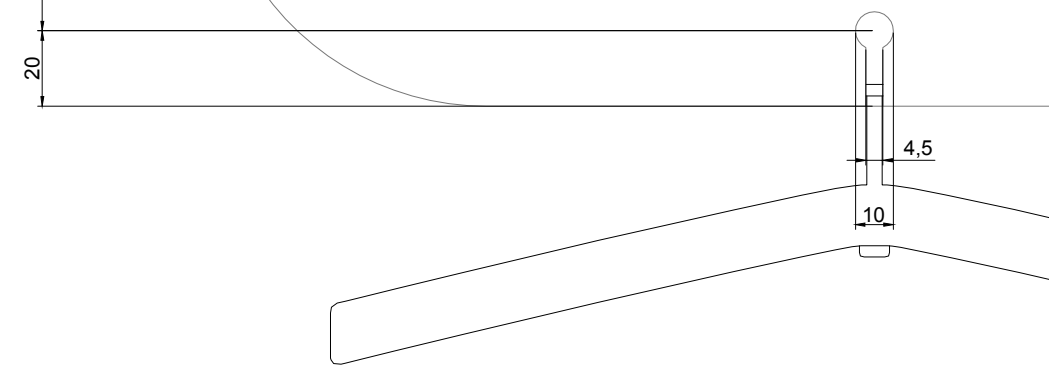
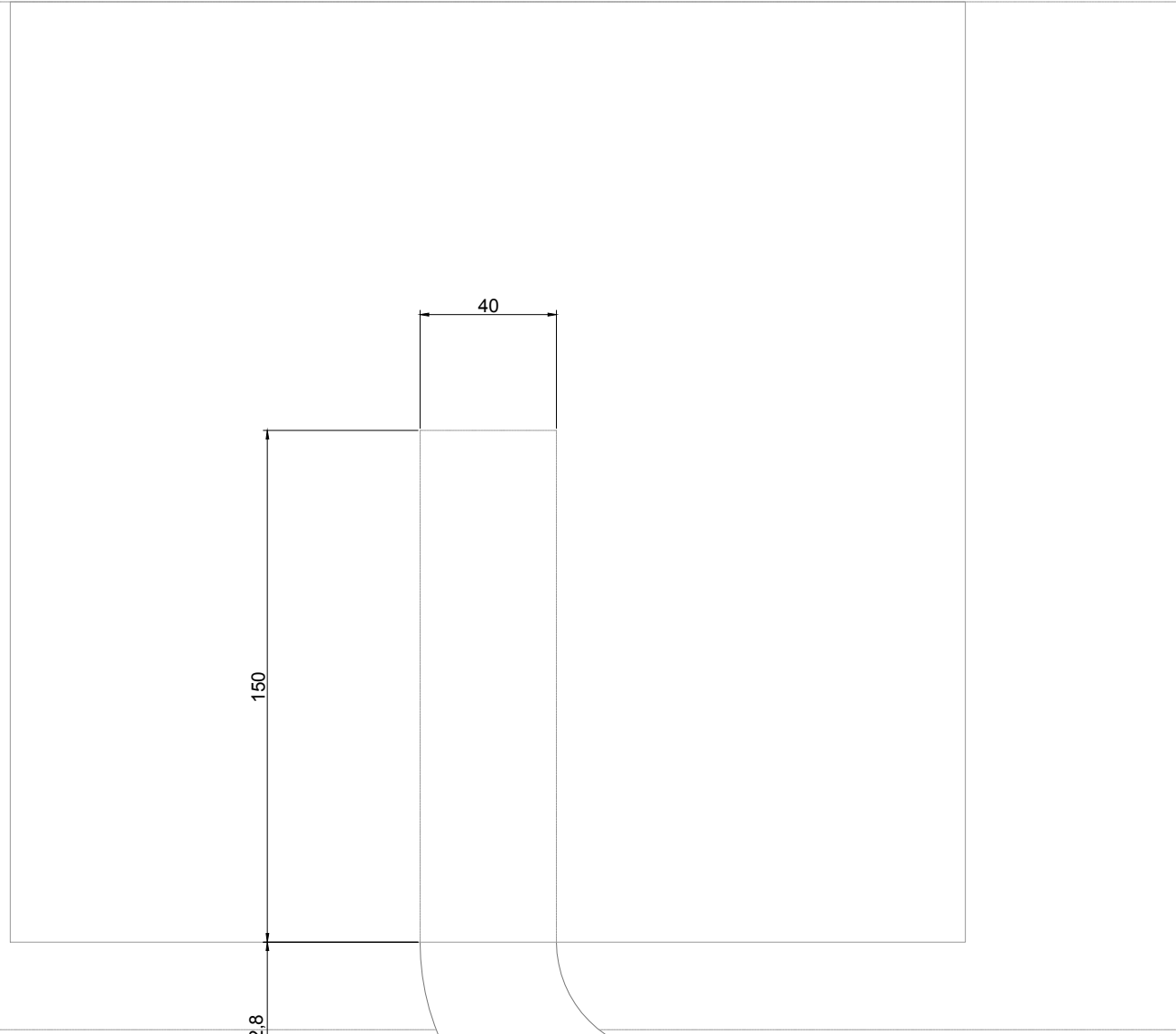
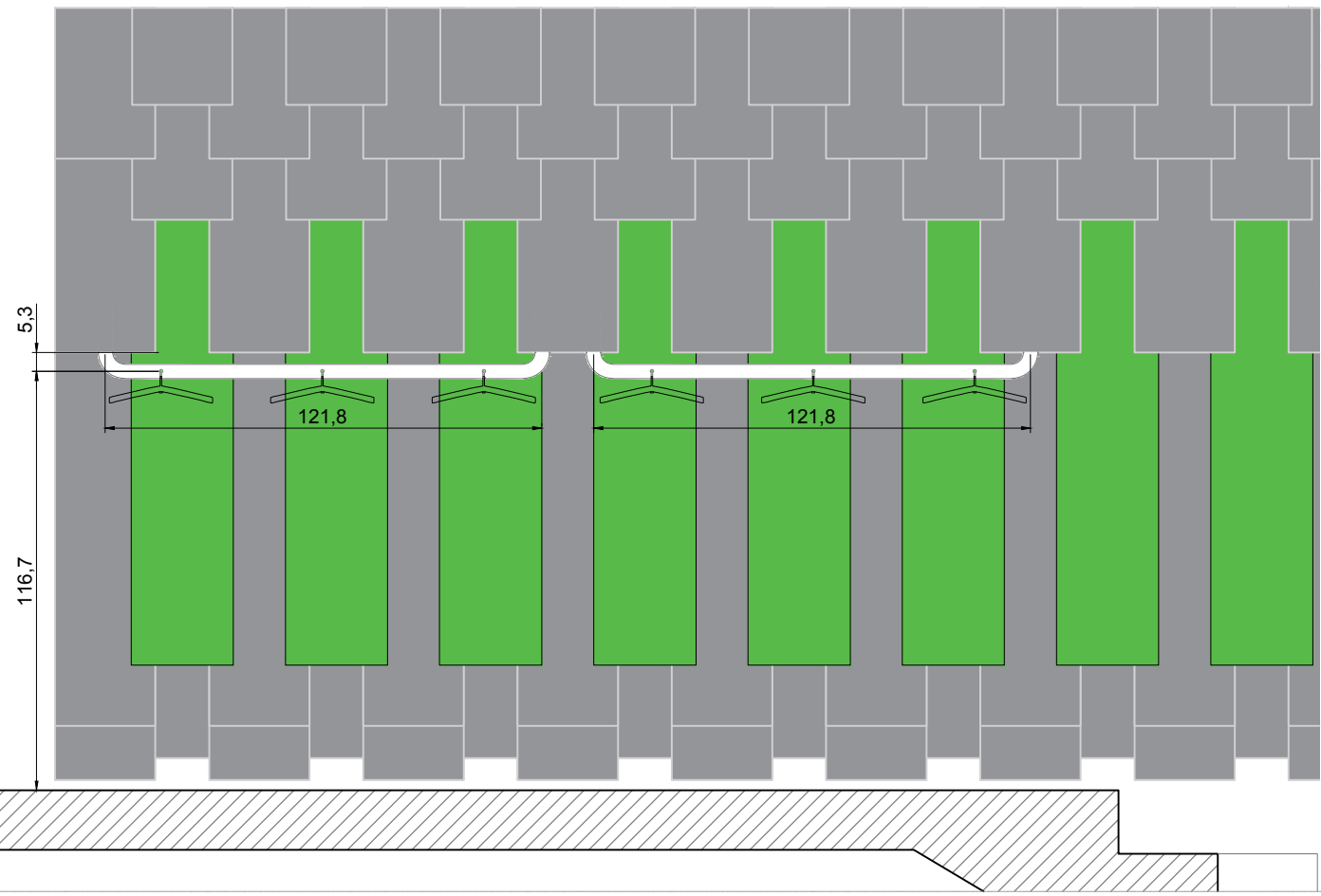


0 cm 25 cm 50 cm 75 cm 100 cm



LEGENDA			NOTES			DRAWING DETAIL		PROJECT DETAIL		DETAIL	
						DRAWING:	Interior design	External Reference Architects			
						SH_4	LOCALITZACIÓ:	Carmelo Zappulla			
						SCALE:	Percy Street 2	NIF X7032449S			
						1:20	London,				
						Nº DRAWING	CLIENT:	DATA:			
						7.6	Presented By	25.07.2019			

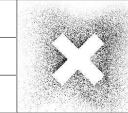




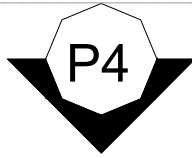
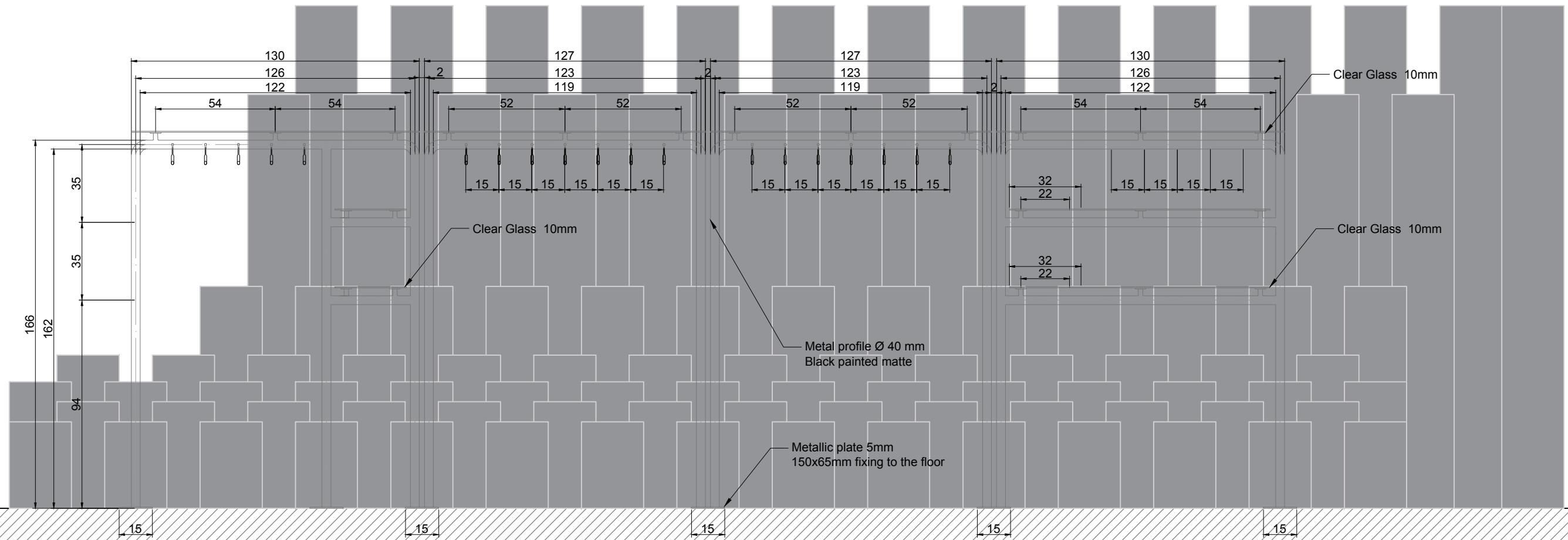
LEGENDA		

NOTES	

DRAWING DETAIL	PROJECT DETAIL	DETAIL
DRAWING:	Interior design	External Reference Architects
SH_3	LOCALITZACIÓ:	Carmelo Zappulla
SCALE:	Percy Street 2	NIF X7032449S
1:20	London,	
Nº DRAWING	CLIENT:	DATA:
7.7	Presented By	25.07.2019



0 cm 25 cm 50 cm 75 cm 100 cm

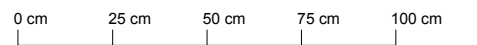
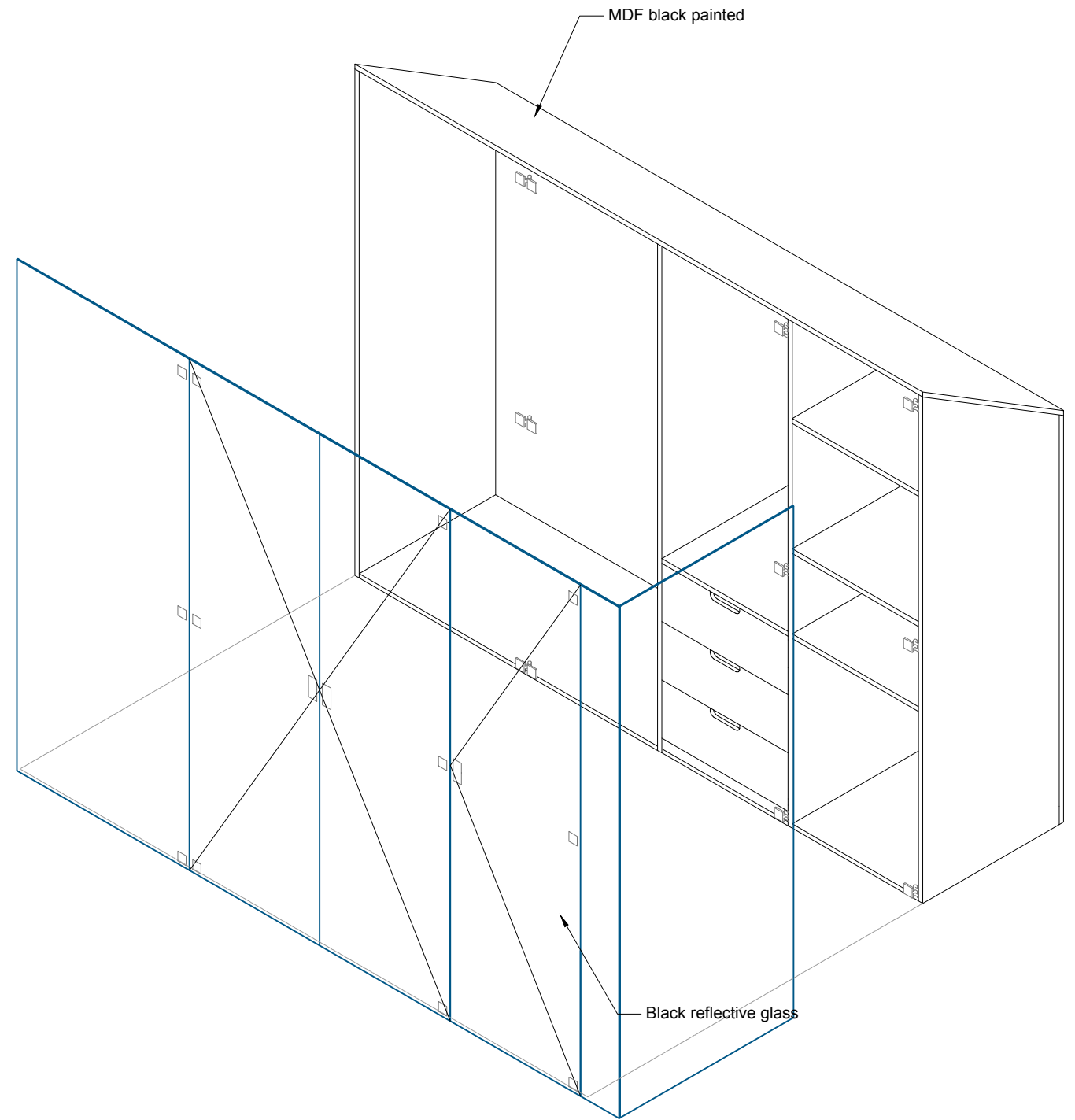
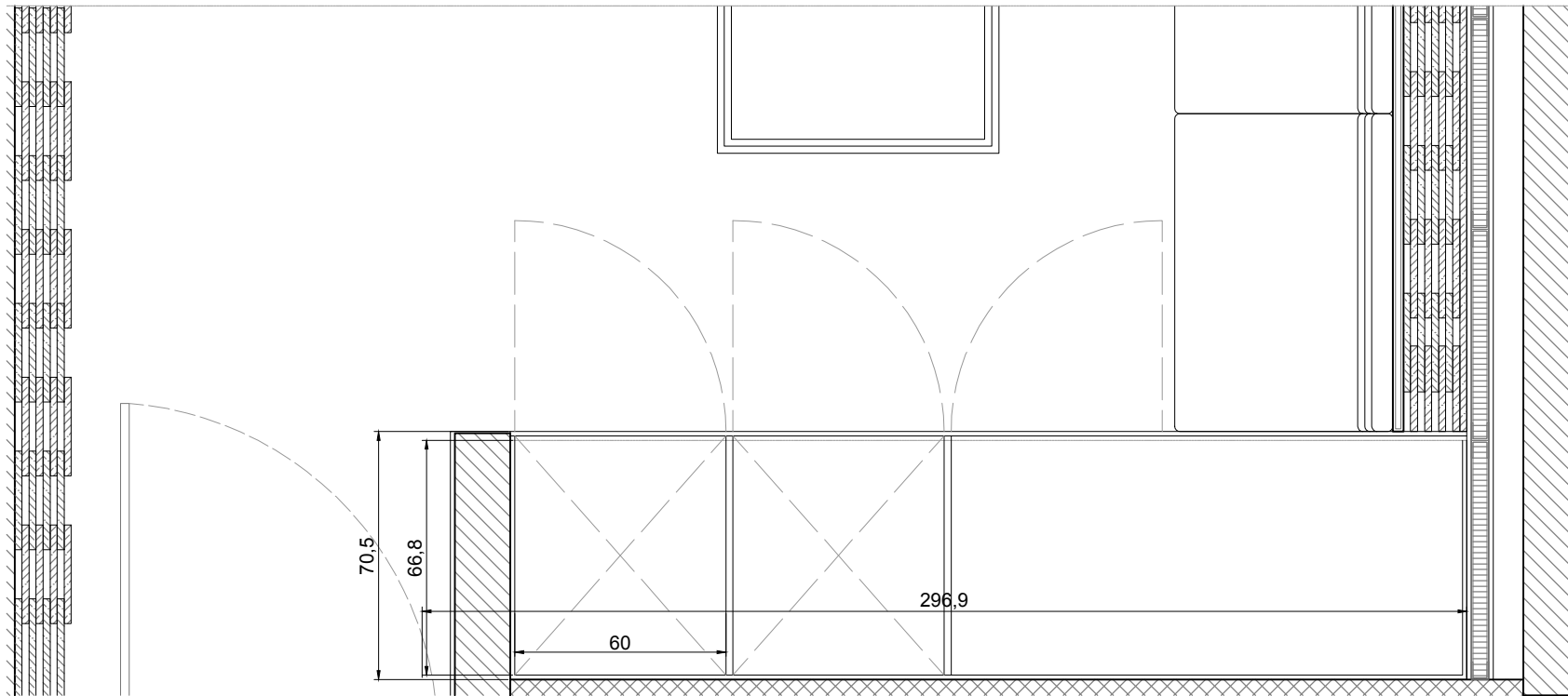
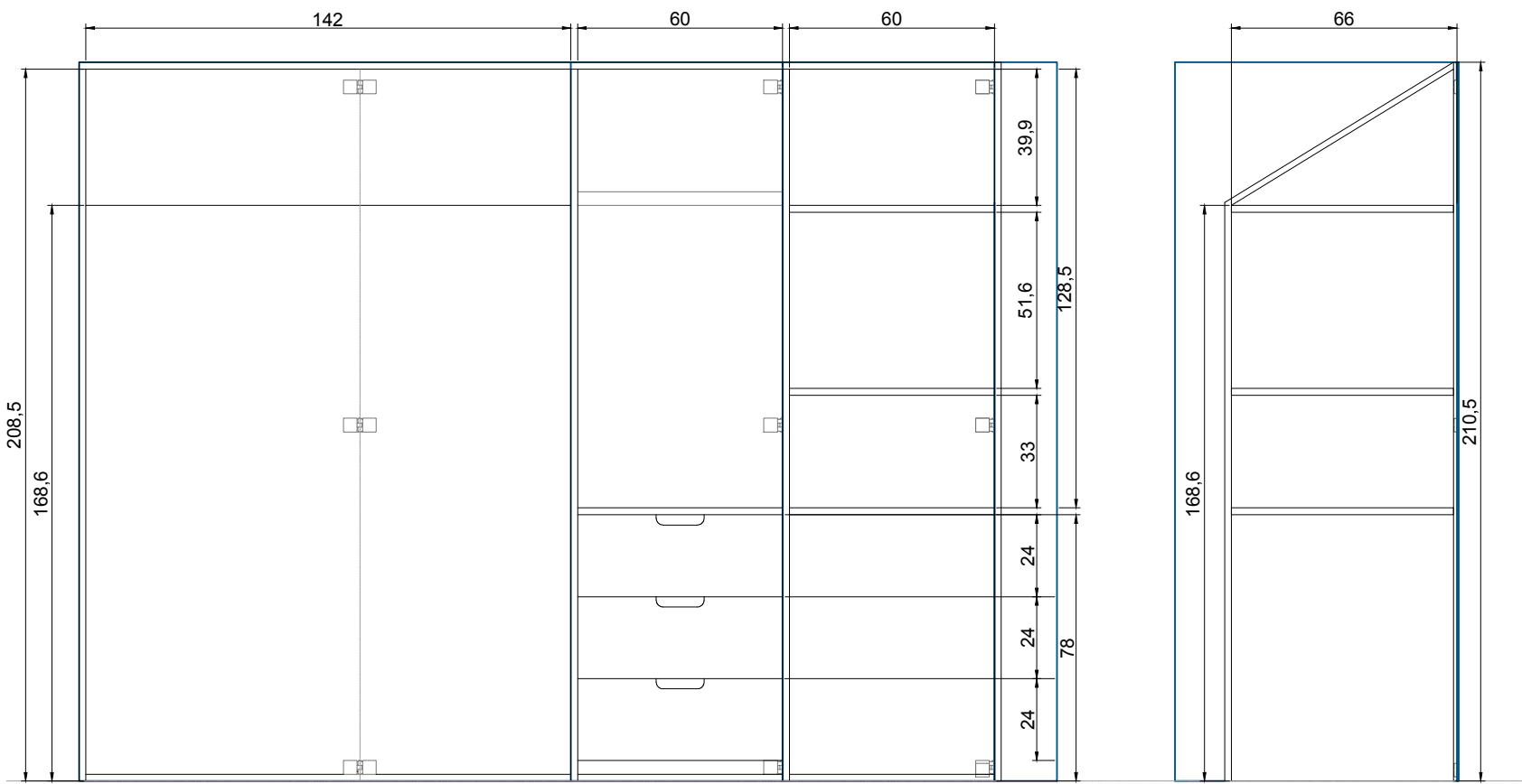


LEGENDA	
Area : 140 m ²	

NOTES

DRAWING DETAIL	PROJECT DETAIL	DETAIL
DRAWING:	Interior design	External Reference Architects
SH_6	LOCALITZACIÓ:	Carmelo Zappulla
SCALE:	Percy Street 2	NIF X7032449S
1:20	London,	
Nº DRAWING	CLIENT:	DATA:
7.9	Presented By	25.07.2019



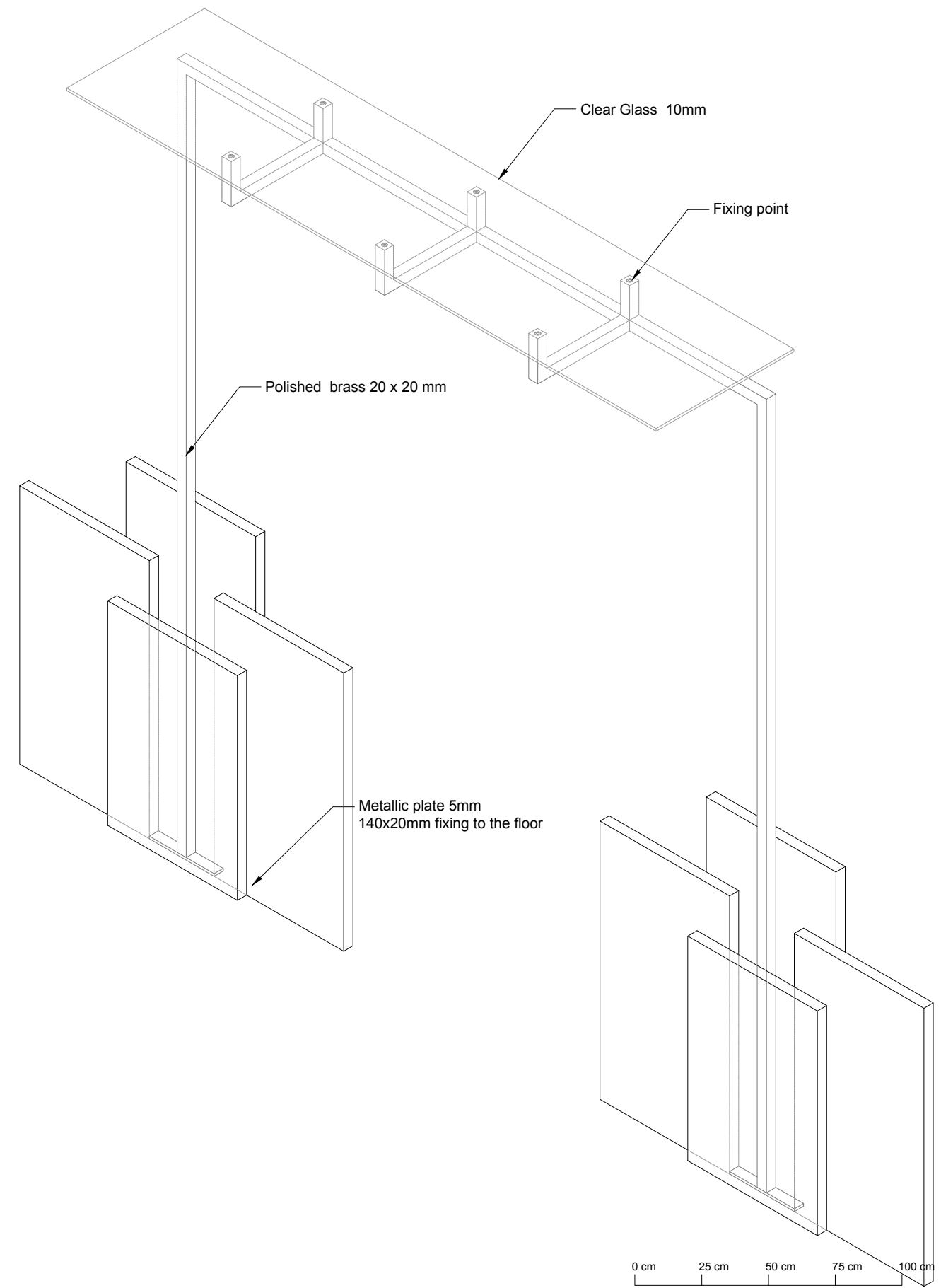
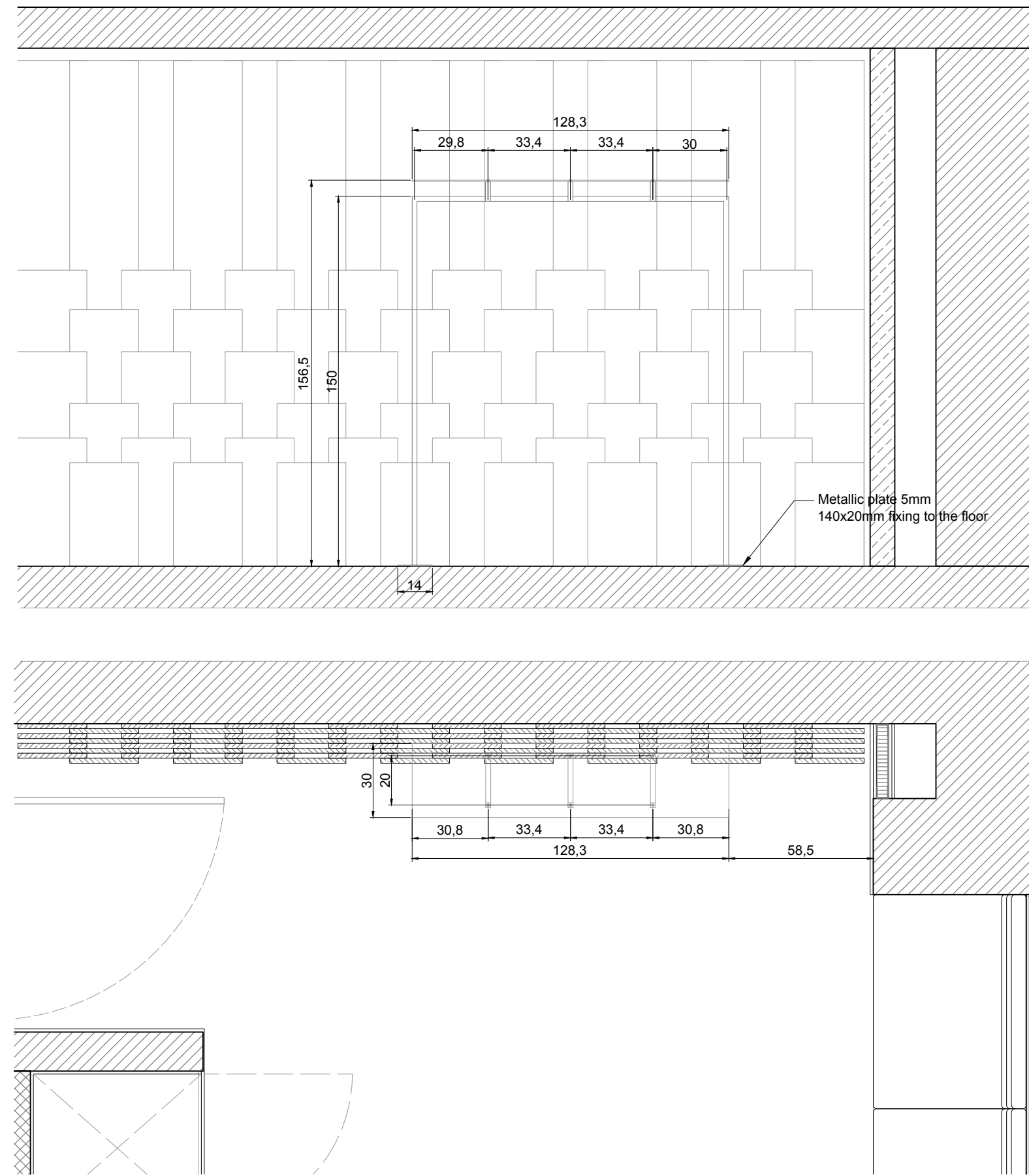


LEGENDA		

NOTES		

DRAWING DETAIL	PROJECT DETAIL	DETAIL
DRAWING:	Interior design	External Reference Architects
VIP CL.	LOCALITZACIÓ:	Carmelo Zappulla
SCALE:	Percy Street 2	NIF X7032449S
1:20	London,	
Nº DRAWING	CLIENT:	DATA:
7.10	Presented By	25.07.2019





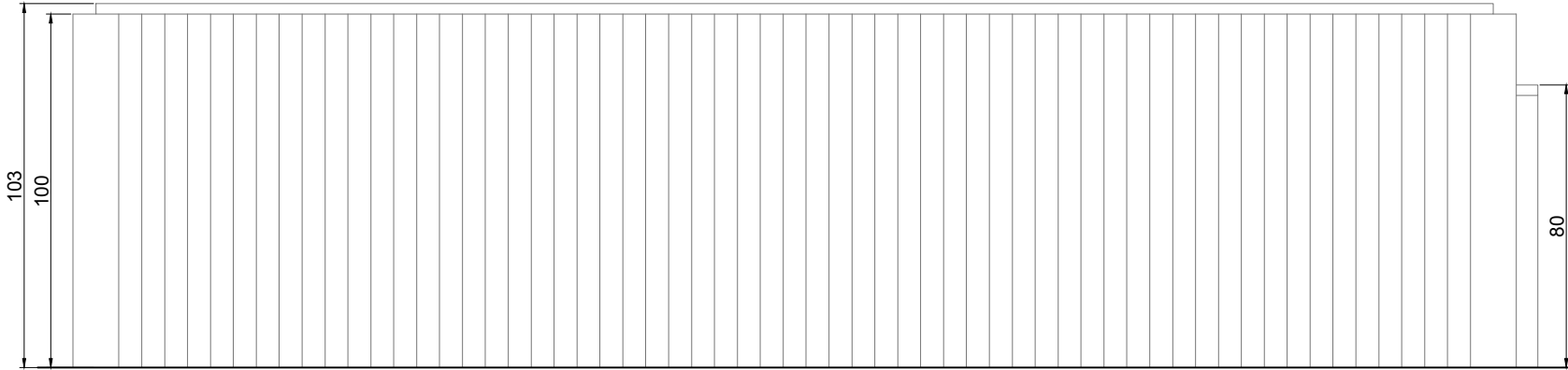
LEGENDA		

NOTES	

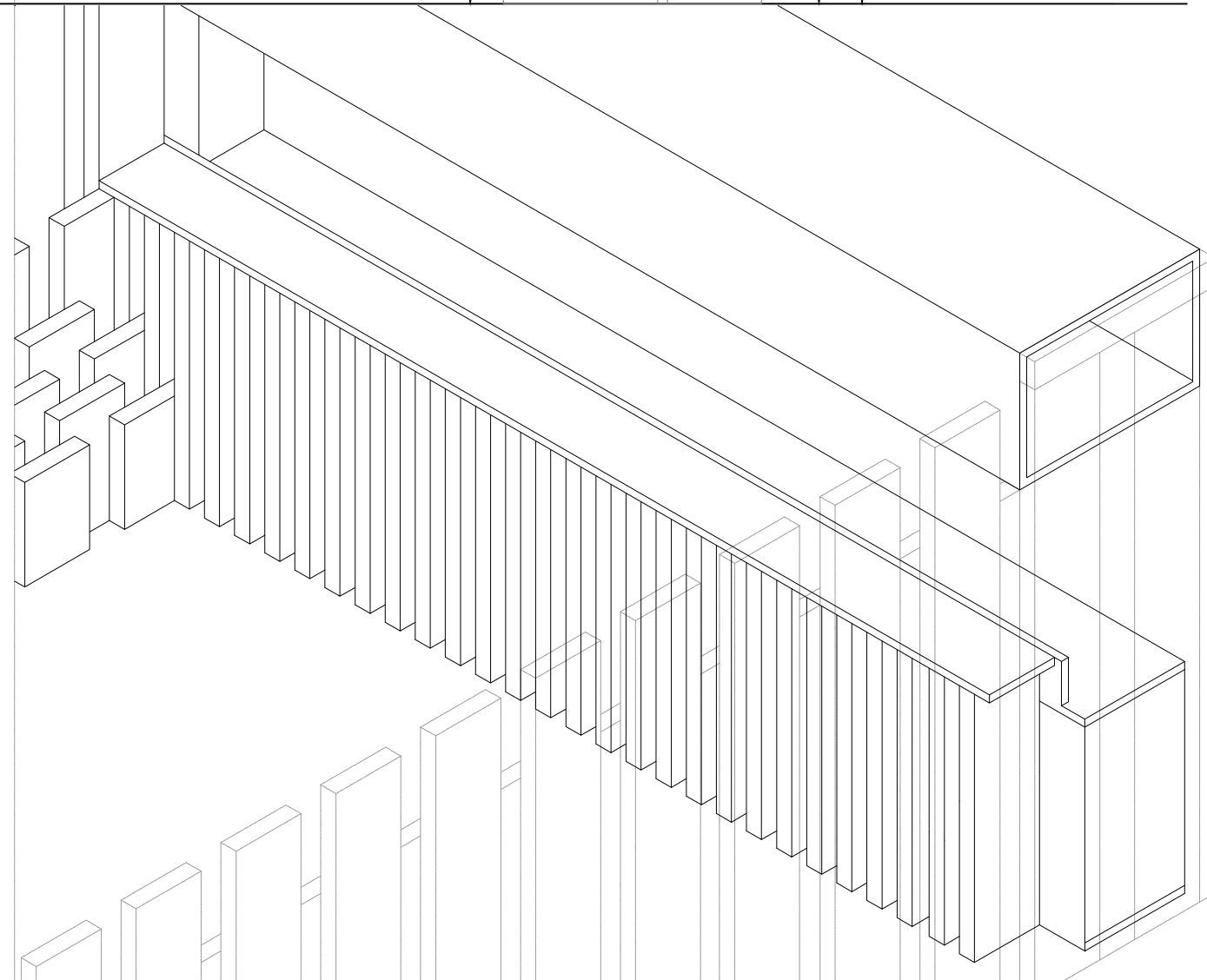
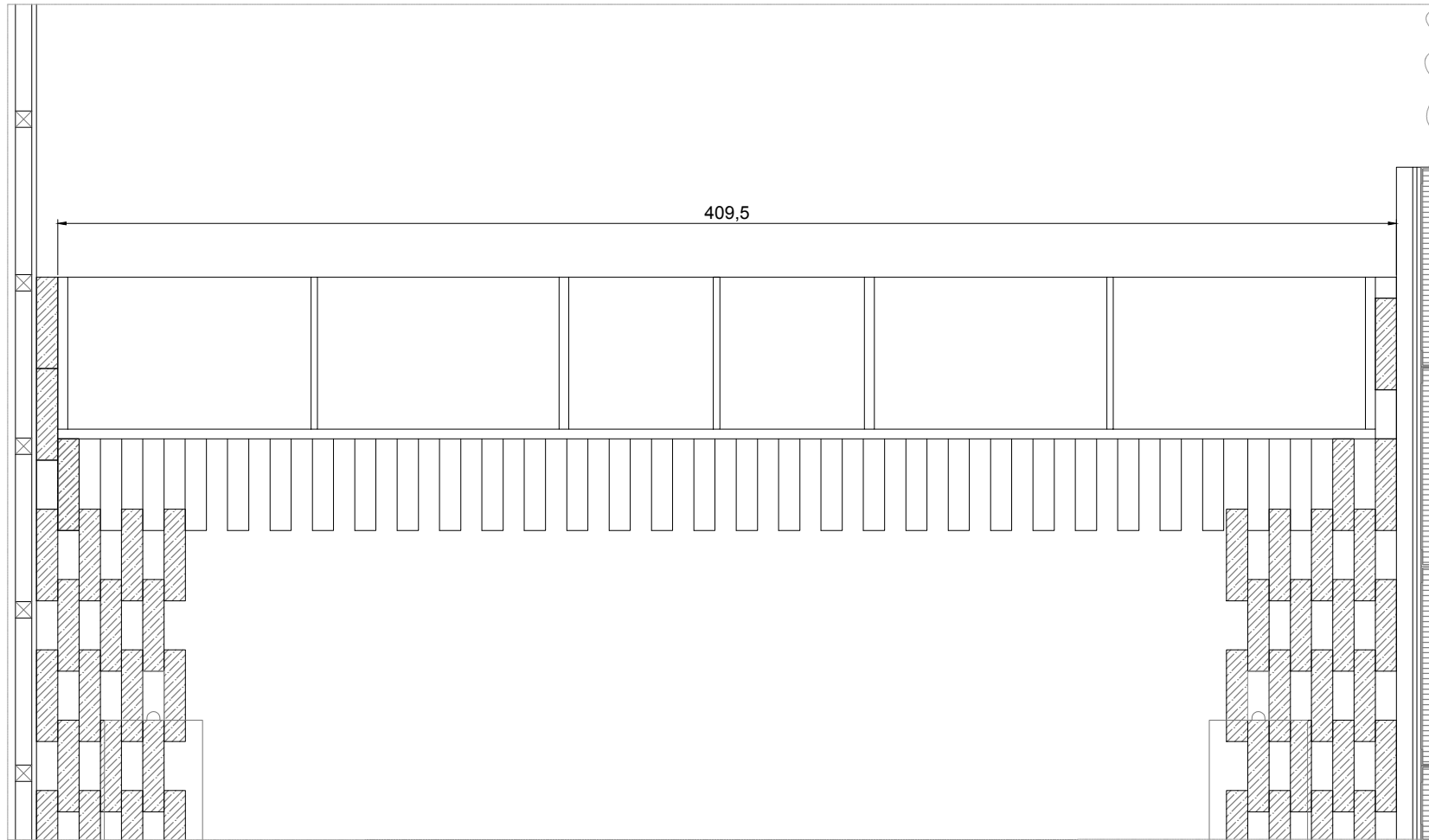
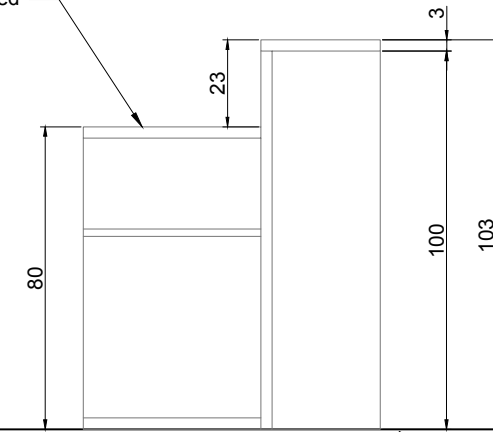
DRAWING DETAIL	PROJECT DETAIL	DETAIL
DRAWING:	Interior design	External Reference Architects
VIP SH.	LOCALITZACIÓ:	Carmelo Zappulla
SCALE:	Percy Street 2	NIF X7032449S
1:20	London,	
Nº DRAWING	CLIENT:	DATA:
7.11	Presented By	25.07.2019



0 cm 25 cm 50 cm 75 cm 100 cm



MDF black painted

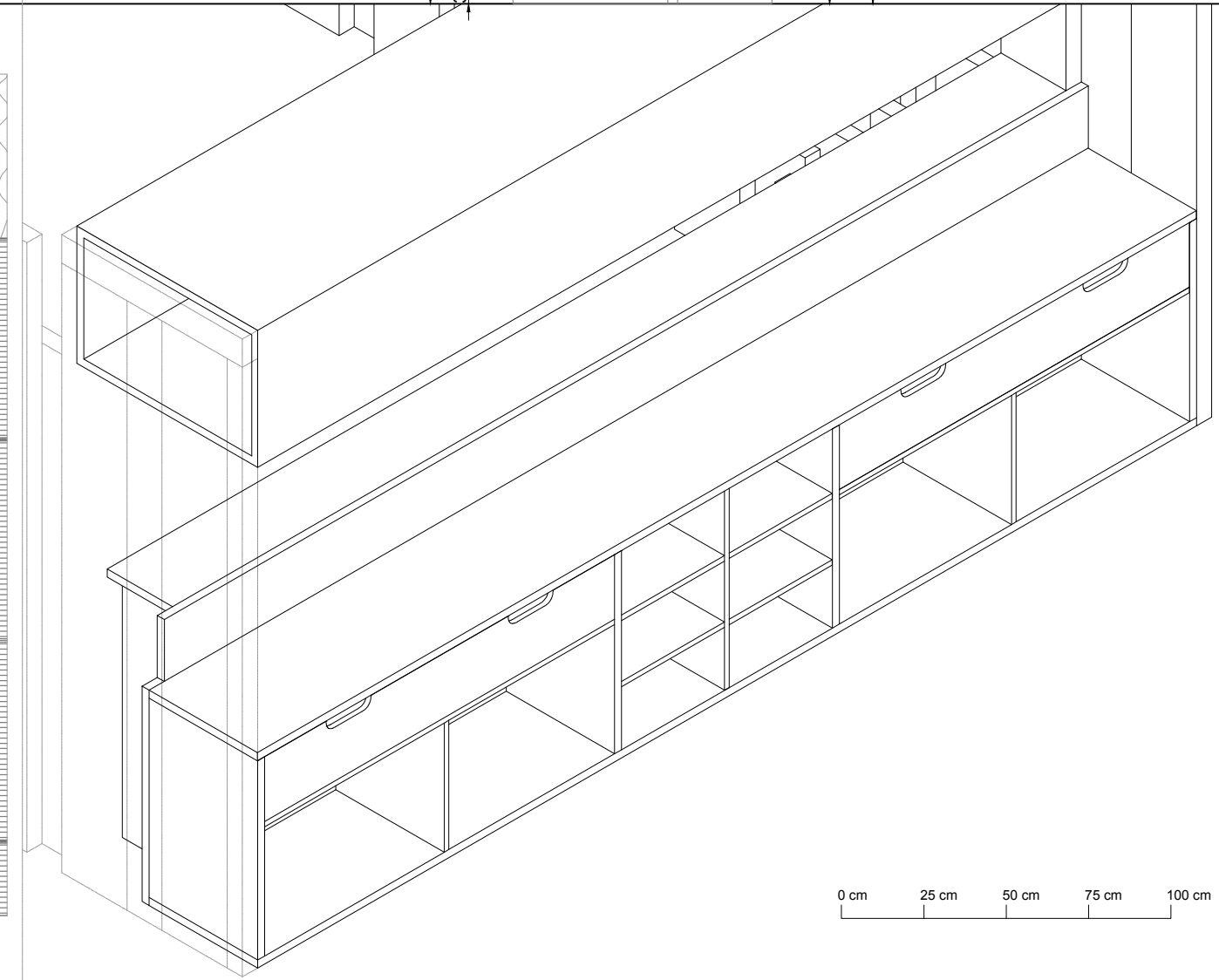
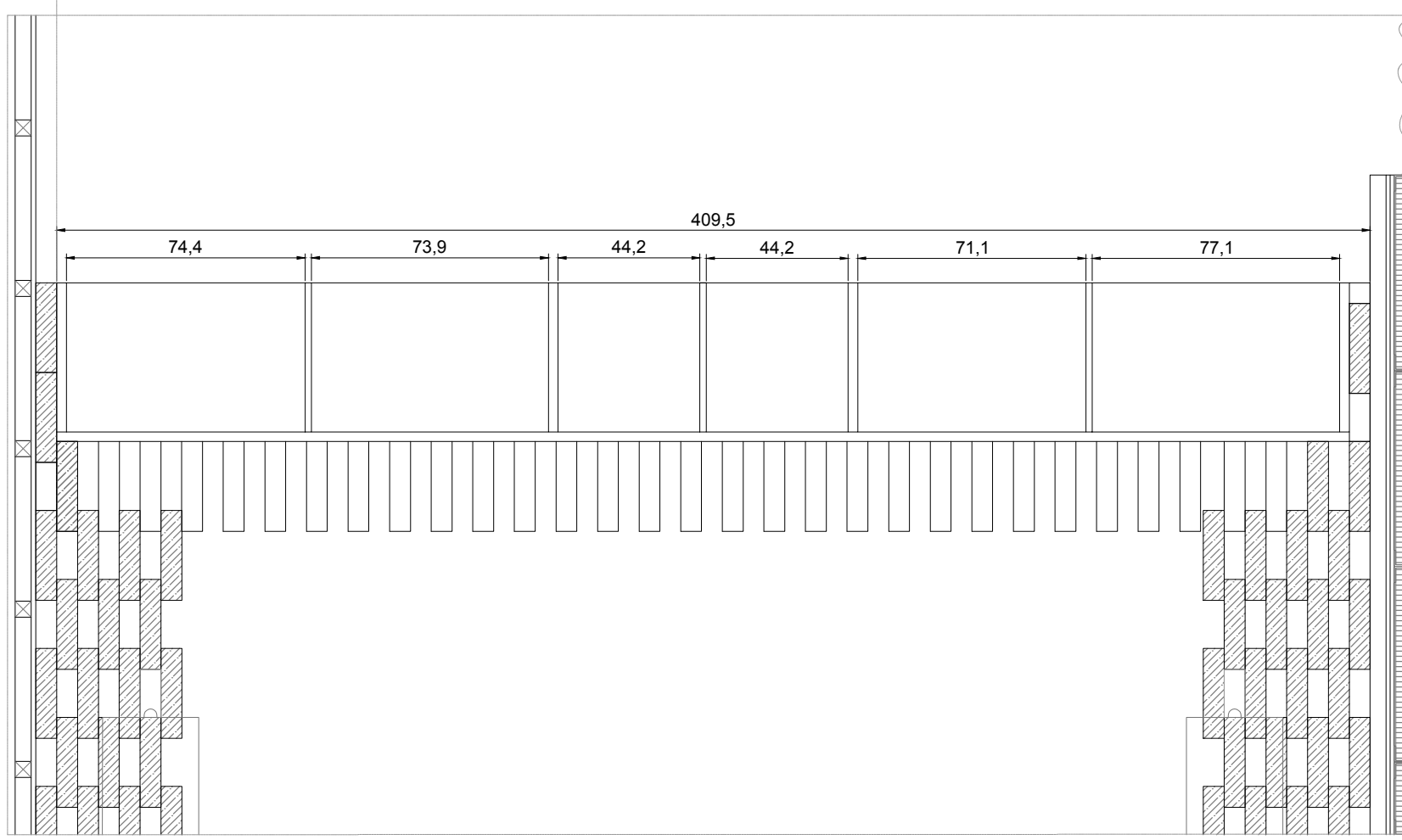
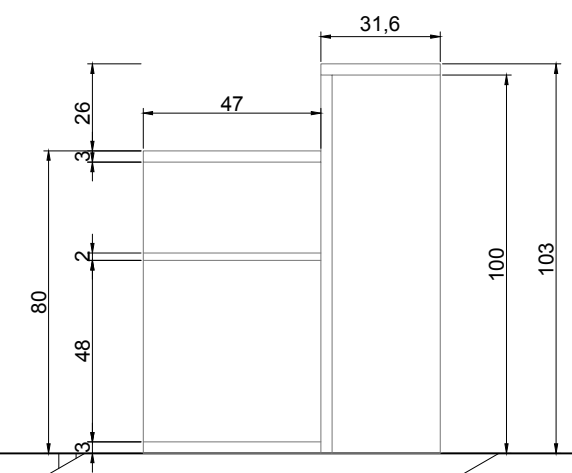
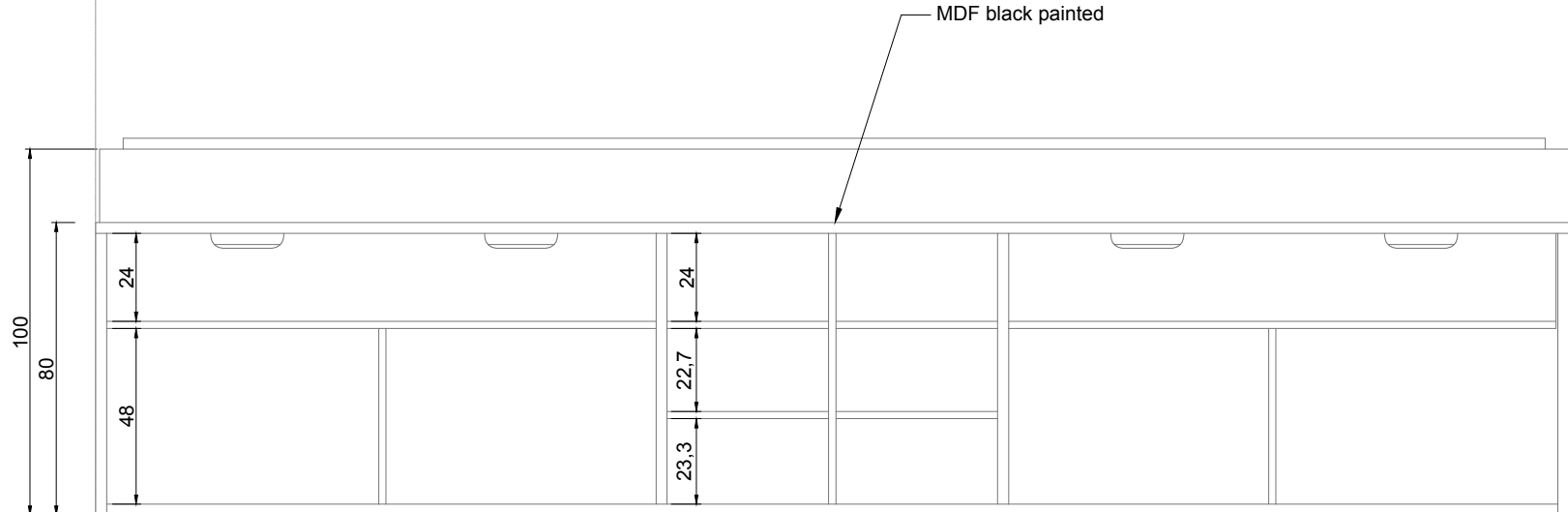


LEGENDA		

NOTES		

DRAWING DETAIL	PROJECT DETAIL	DETAIL
DRAWING:	Interior design	External Reference Architects
COUNTER:	LOCALITZACIÓ:	Carmelo Zappulla
SCALE:	Percy Street 2	NIF X7032449S
1:20	London,	
Nº DRAWING	CLIENT:	DATA:
7.12	Presented By	25.07.2019





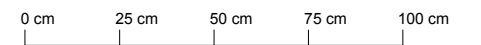
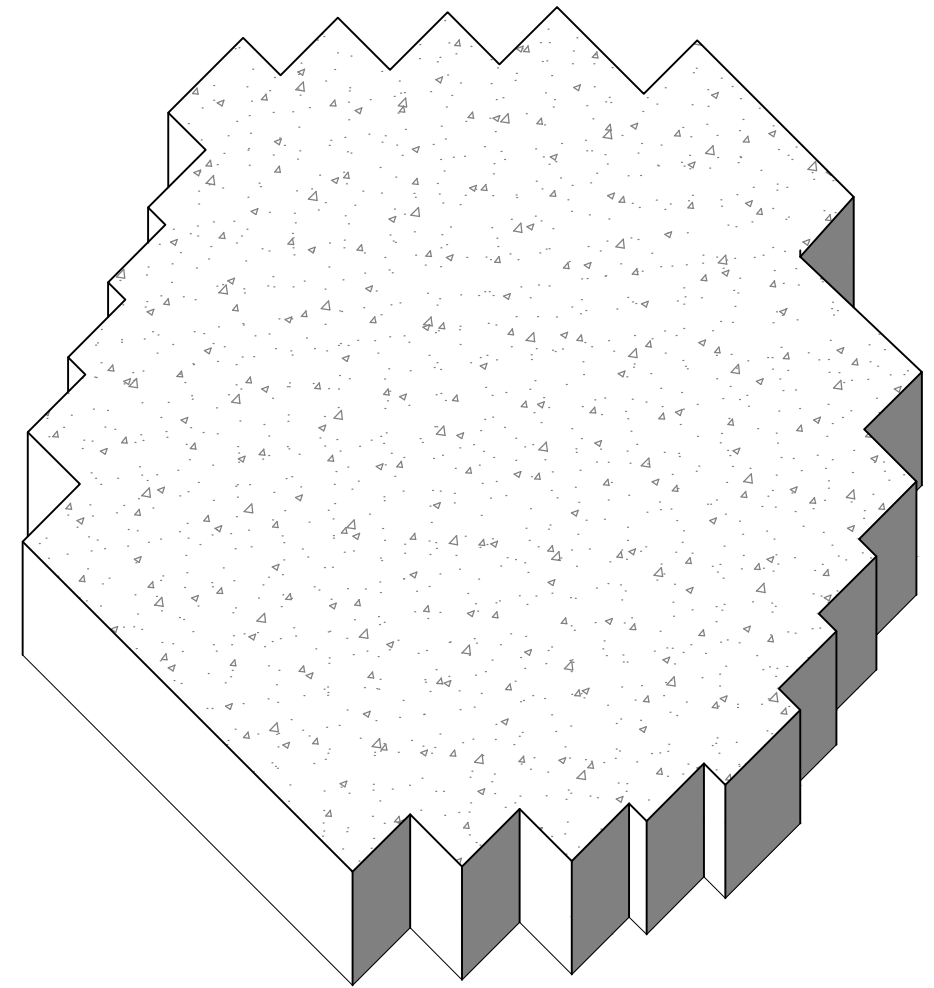
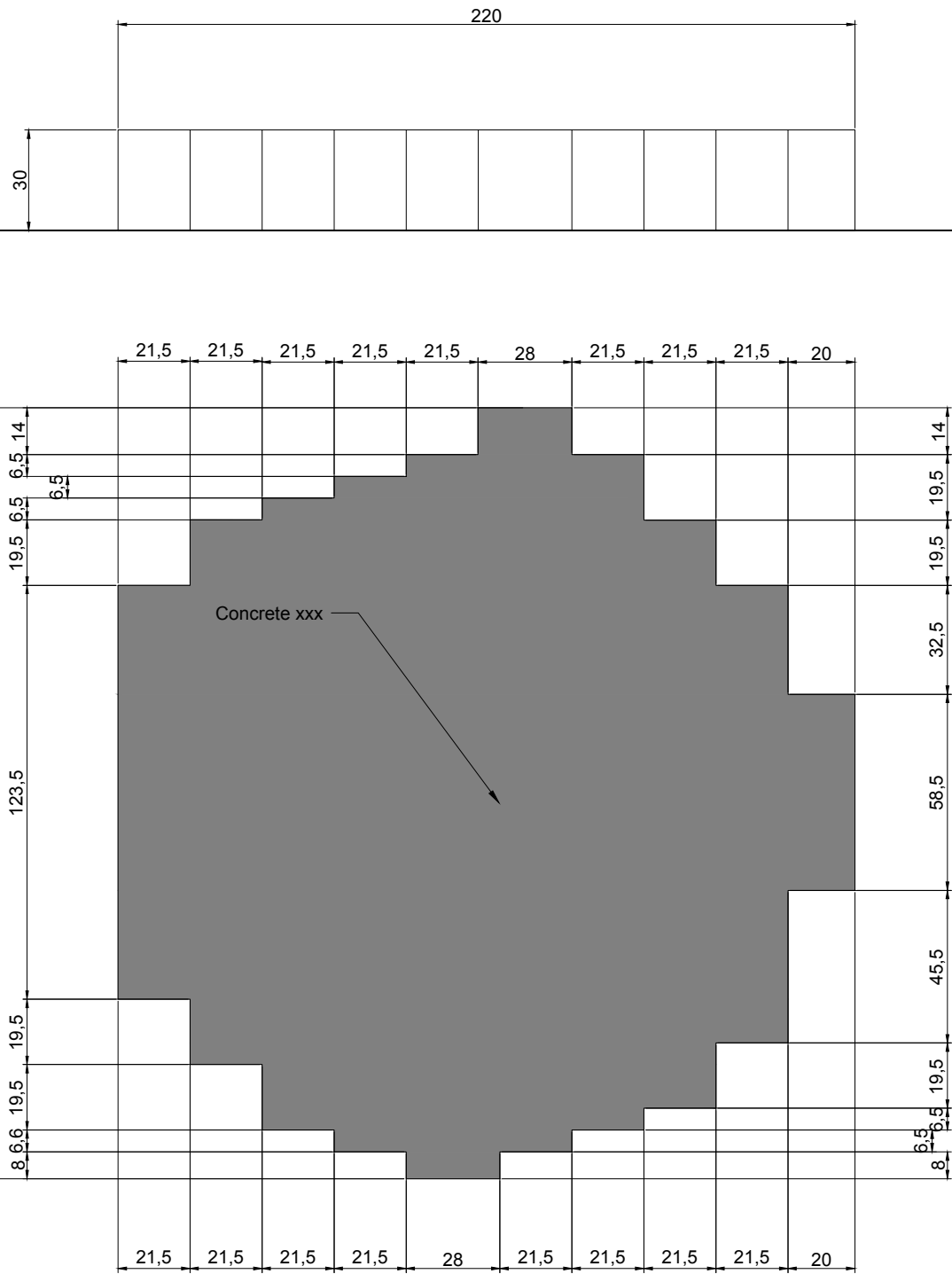
0 cm 25 cm 50 cm 75 cm 100 cm

LEGENDA		

NOTES	

DRAWING DETAIL	PROJECT DETAIL	DETAIL
DRAWING:	Interior design	External Reference Architects
COUNTER:	LOCALITZACIÓ:	Carmelo Zappulla
SCALE:	Percy Street 2	NIF X7032449S
1:20	London,	
Nº DRAWING	CLIENT:	DATA:
7.13	Presented By	25.07.2019





LEGENDA

NOTES

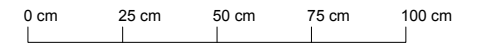
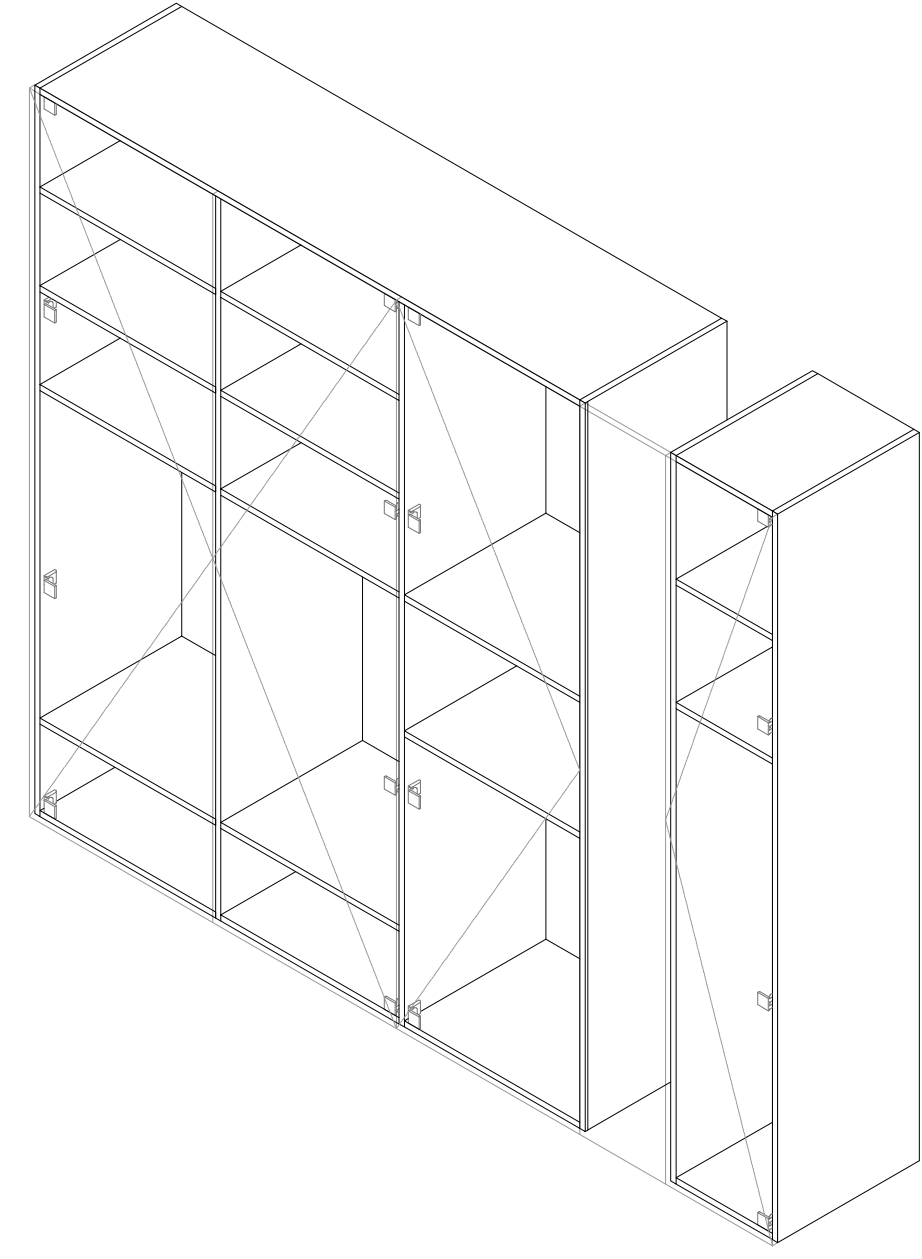
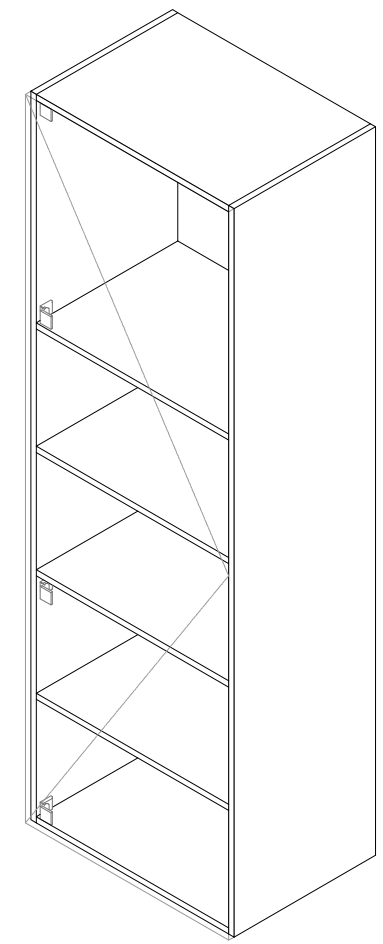
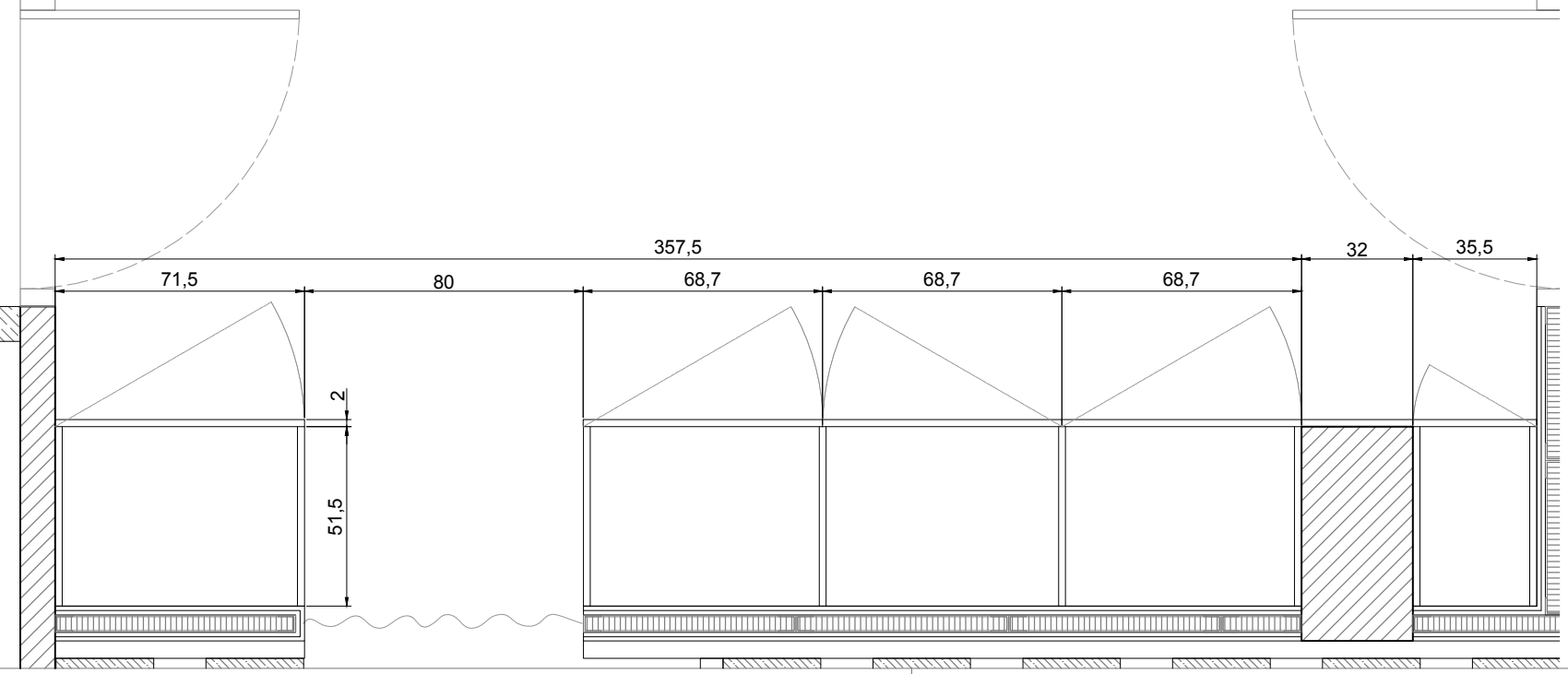
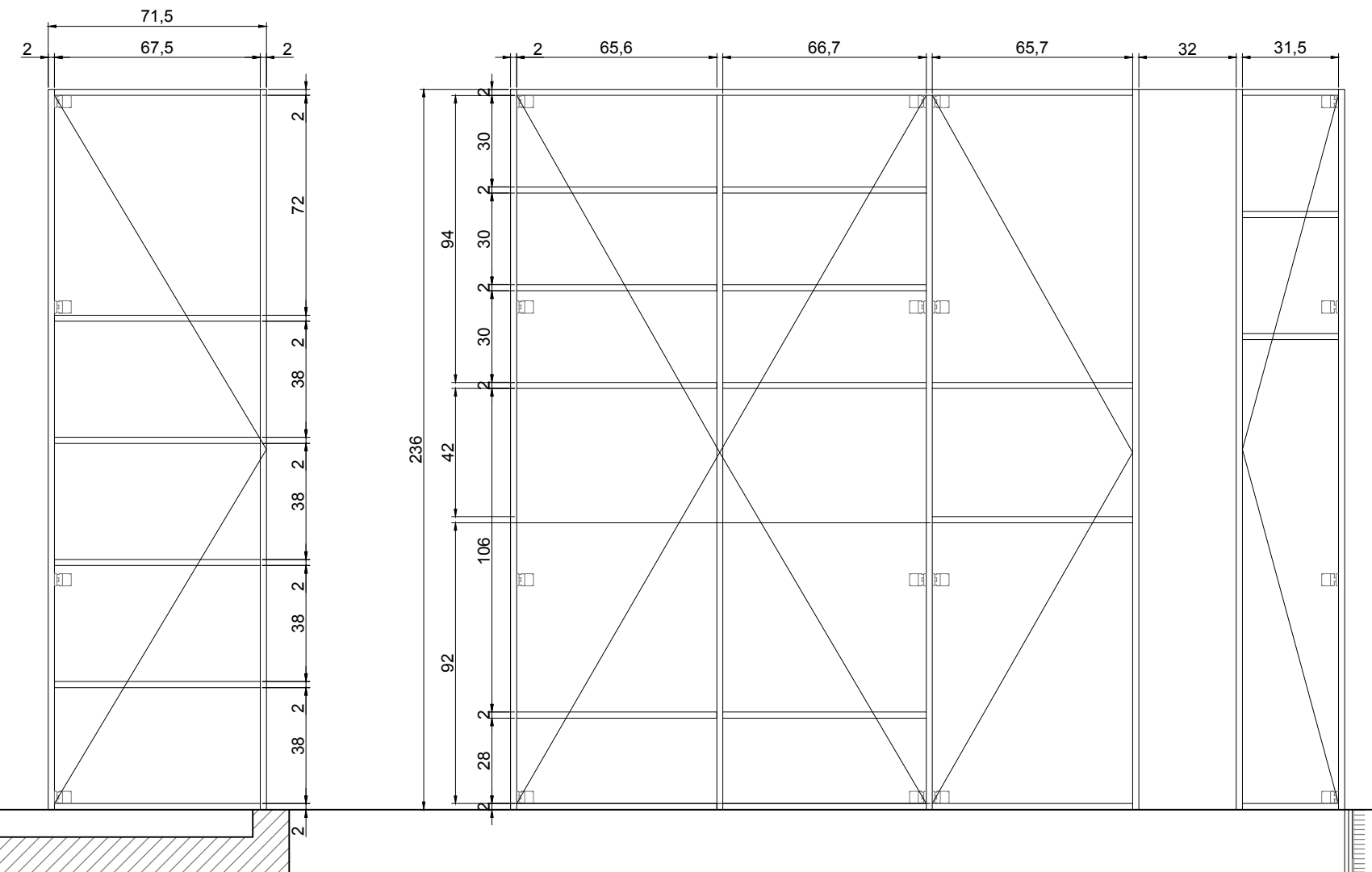
DRAWING DETAIL

PROJECT DETAIL

DETAIL

DRAWING:	Interior design	External Reference Architects
DP. 3	LOCALITZACIÓ:	Carmelo Zappulla
SCALE:	Percy Street 2	NIF X7032449S
1:20	London,	
Nº DRAWING	CLIENT:	DATA:
7.14	Presented By	25.07.2019



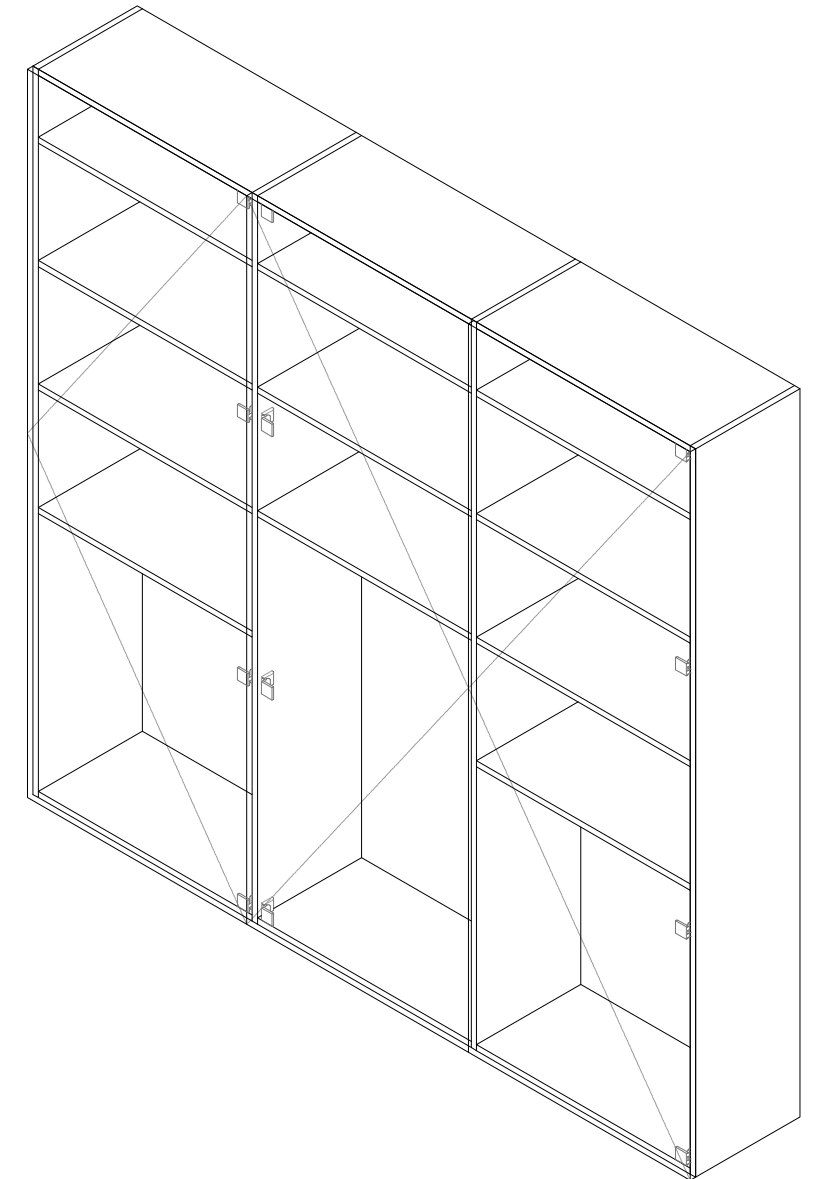
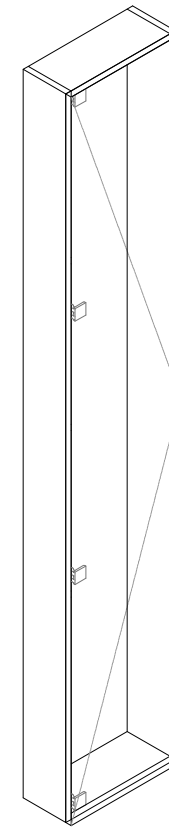
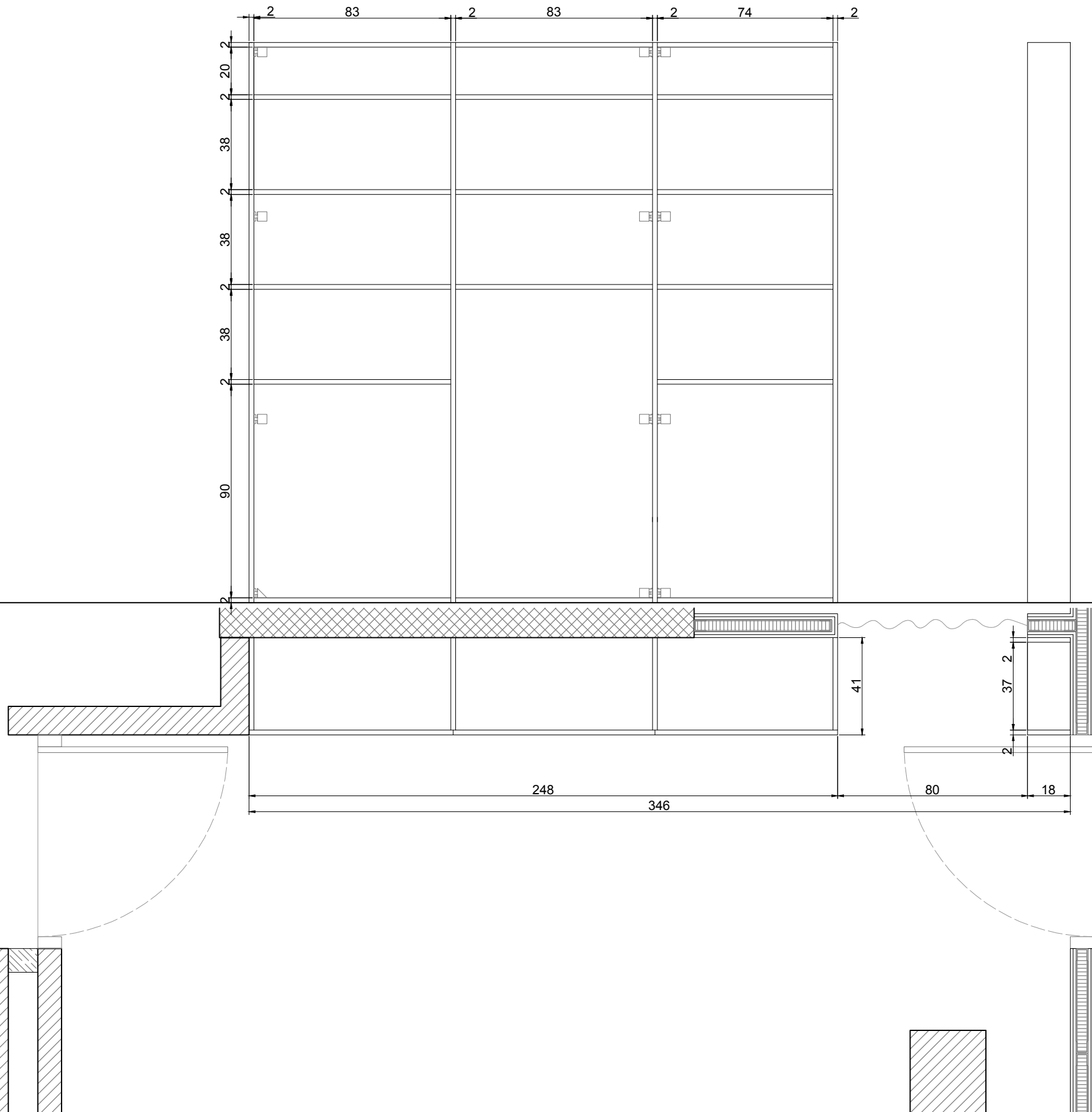


LEGENDA	

NOTES	

DRAWING DETAIL	PROJECT DETAIL	DETAIL
DRAWING:	Interior design	External Reference Architects
CL. 8	LOCALITZACIÓ:	Carmelo Zappulla
SCALE:	Percy Street 2	NIF X7032449S
1:20	London,	
Nº DRAWING	CLIENT:	DATA:
7.16	Presented By	25.07.2019



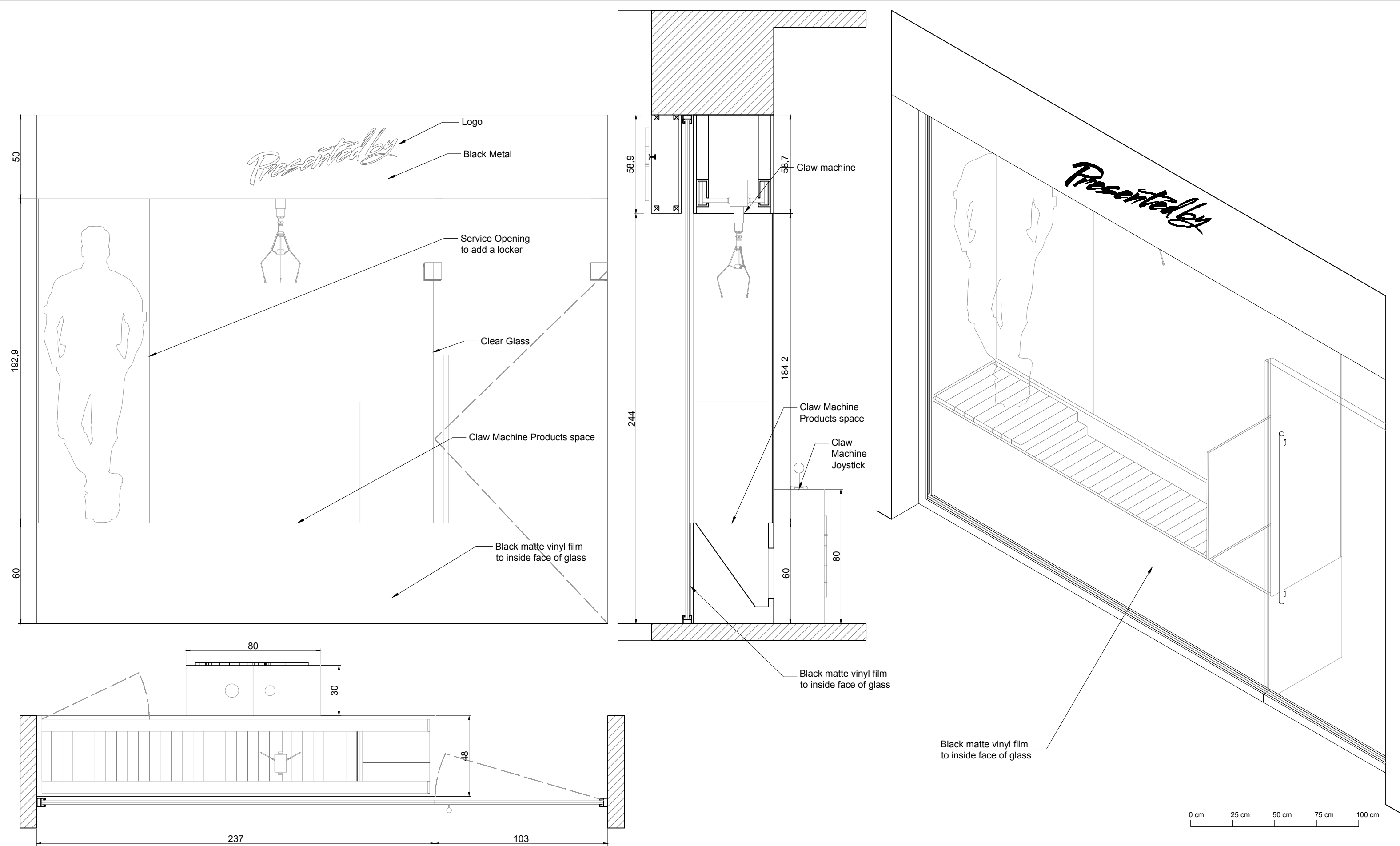


LEGENDA		

NOTES

DRAWING DETAIL	PROJECT DETAIL	DETAIL
DRAWING:	Interior design	External Reference Architects
CL. 7	LOCALITZACIÓ:	Carmelo Zappulla
SCALE:	Percy Street 2	NIF X7032449S
1:20	London,	
Nº DRAWING	CLIENT:	DATA:
7.17	Presented By	25.07.2019





LEGENDA		NOTES	DRAWING DETAIL	PROJECT DETAIL	DETAIL
			DRAWING:	Interior design	External Reference Architects
			Front Display	LOCALITZACIÓ:	Carmelo Zappulla
			SCALE:	Percy Street 2	NIF X7032449S
			1:20	London,	
			Nº DRAWING	CLIENT:	DATA:
			7.18	Presented By	25.07.2019

