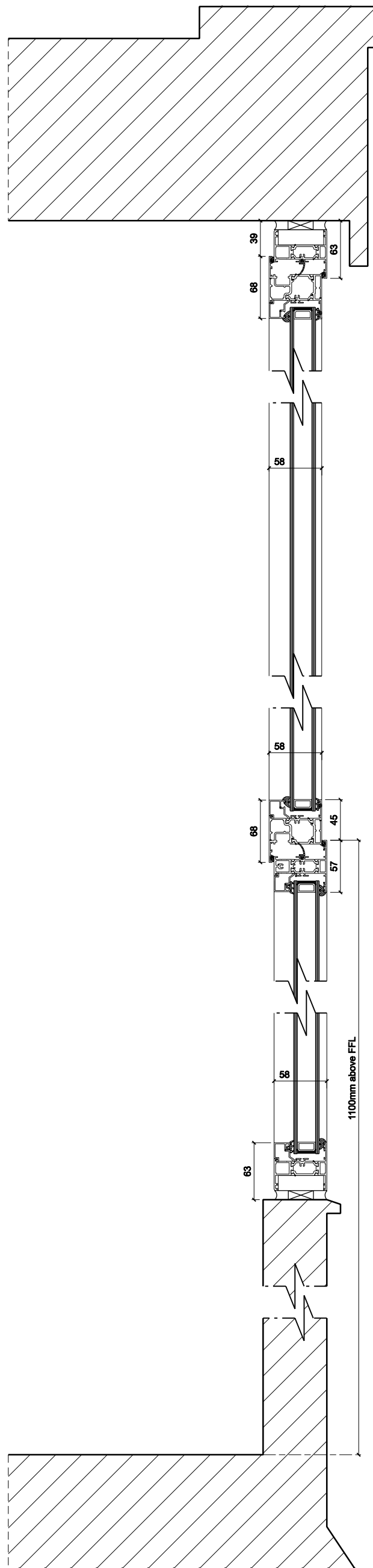



A Existing Timber Window - Cross Section
1 : 5



B Proposed Aluminium Window - Cross Section
1 : 5

Client Wei & Jessica Jiang		Rev. P01	Date 05/12/19	Comment Full Planning Application Issue
Project Flat No. 5. 112 Fitzjohn's Avenue, London, NW3 6NT				
ISSUED FOR PLANNING				
Date 05/12/19	Scale 1 to 5 @ A3	Unit 2 32 Devonshire Road Forest Hill London SE23 3SR telephone: 020 8699 6766 info@redsquirrelarchitects.com		
Drawing No. 158/01/03				
Title Existing & Proposed Window - Cross Section				