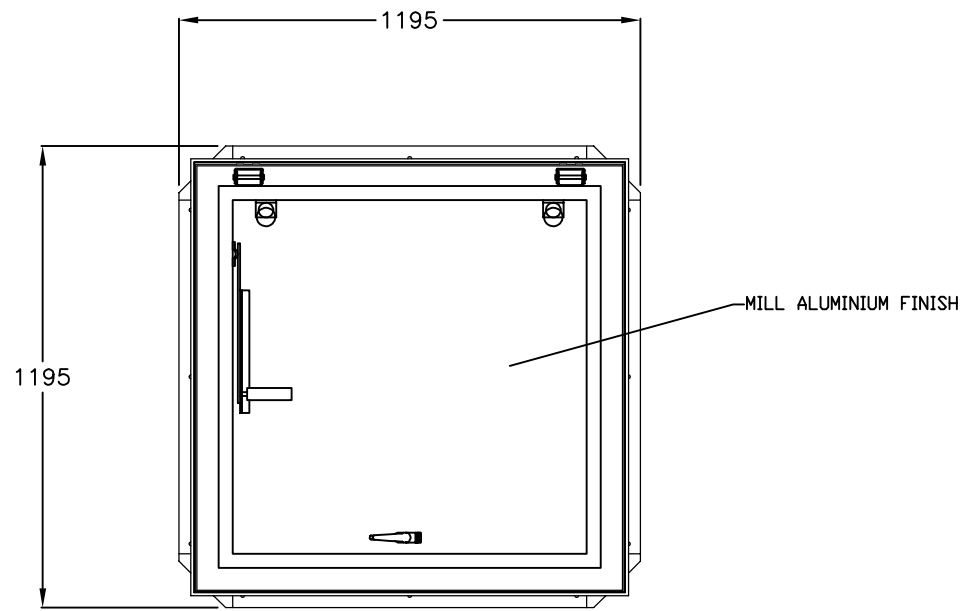
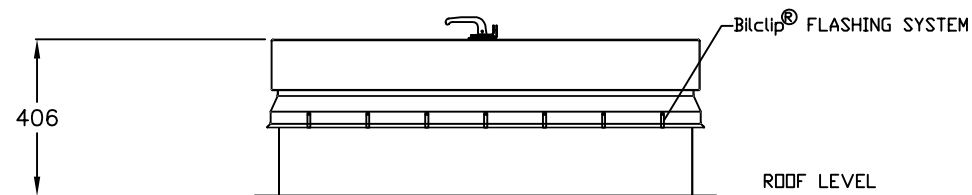


Note:
 All critical dimensions should be checked on site before the commencement of any design or construction work. Any discrepancies found on this drawing should be reported immediately to the author. Do not scale from the printed drawing for design or construction purposes.
 This drawing is the property of the British Museum and may not be retained, distributed or used without the consent of the British Museum.
 ©

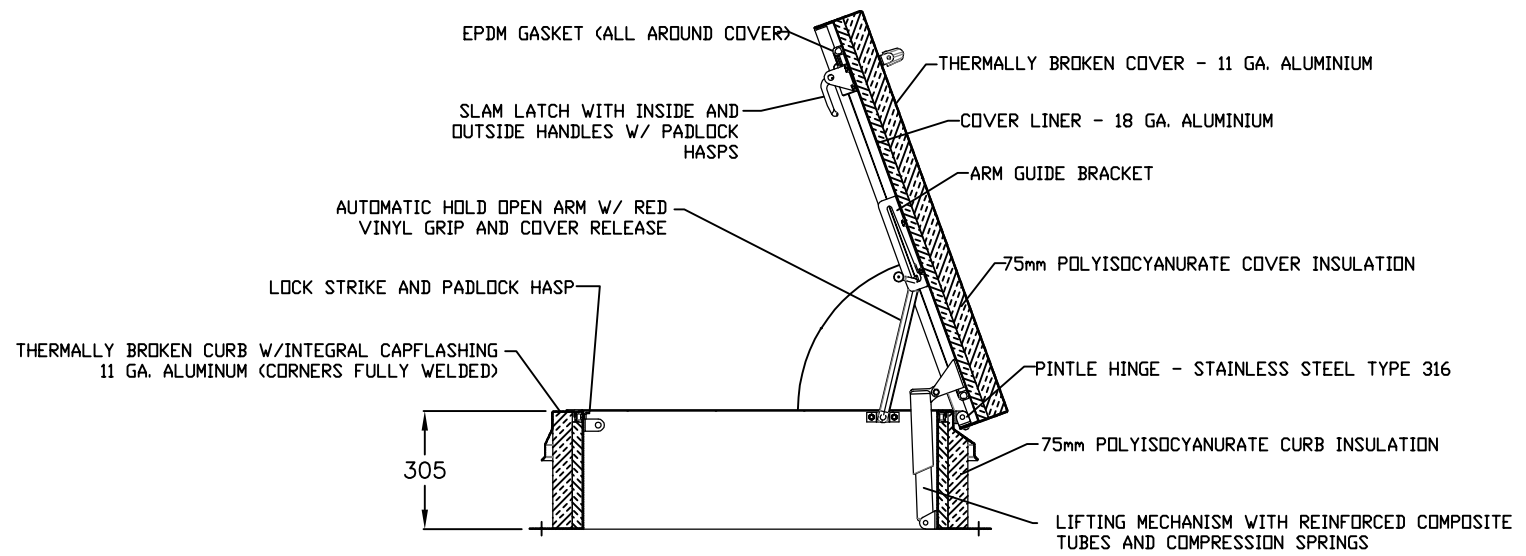


PLAN

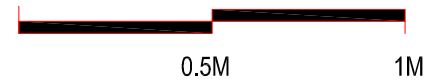


ELEVATION

BILCO
 TYPE E-50TB
 ROOF SCUTTLE



SECTION



REV A DD/MM/YYYY

The British Museum

Great Russell Street London WC1B 3DG britishmuseum.org

client
 BRITISH MUSEUM

project
 LIFE SAFETY PROJECTS
 FAEL GREEK & ROMAN OFFICES L6, L6A & ROOF

drawing title
 PROPOSED ACCESS HATCH
 ACCESS HATCH DETAILS

date DEC 2019	scale 1:20 @A3	dwn BM
------------------	-------------------	-----------

drawing number S&MP-R SK-0009	rev A
----------------------------------	----------