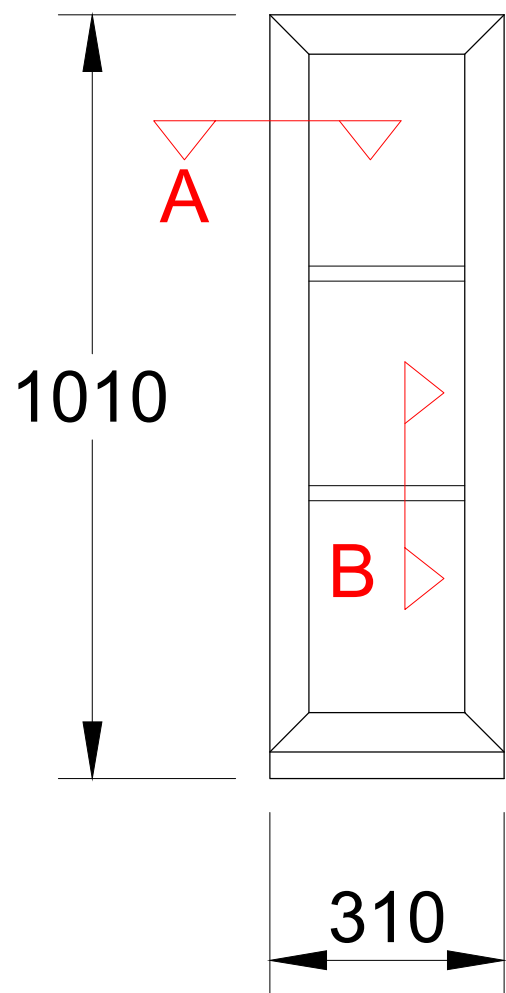
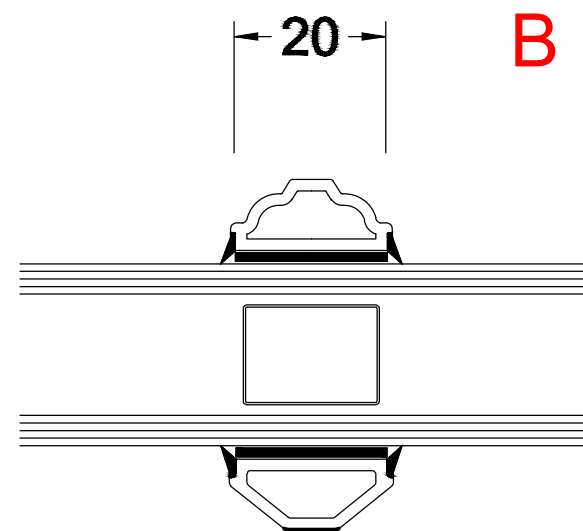
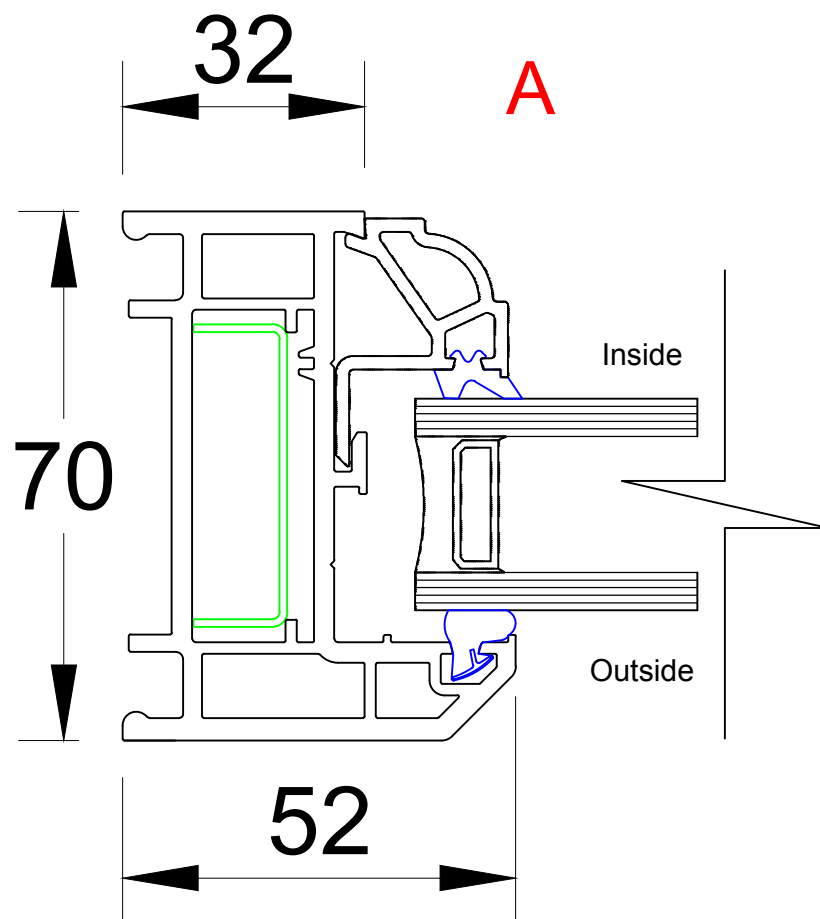


01 03



STIPPOLYTE GLASS



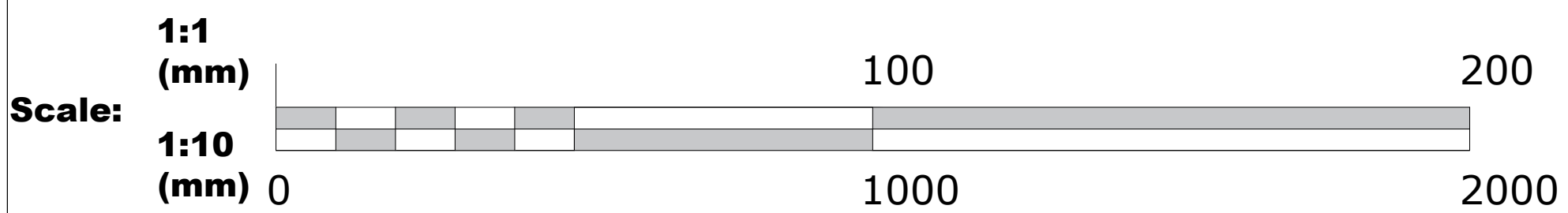
1. All dimensions in millimetres (mm) and levels in metres (m) unless noted otherwise.
2. This drawing to be read in conjunction with all other relevant drawings and specification.
3. All work to comply with the relevant British Standards, Codes of Practice and the Building Regulations.

Revisions:

Customer: Mr Jeremy Attlee  
56 Upper Park Road  
London  
NW3 2UL

Drawing Title:  
Proposed Windows and Details

Drawing No: 3931/PP/03	Contract No: EF3931AX
Scale: 1:1/1:10	Starting Date: 02 JAN 2020
Drawn: V.PODKOLZINA	Size: A3
	Revision: .
	Ref No: .



EVEREST CONSERVATORIES  
EVEREST HOUSE  
SOPERS ROAD  
CUFFLEY  
EN6 4SG