

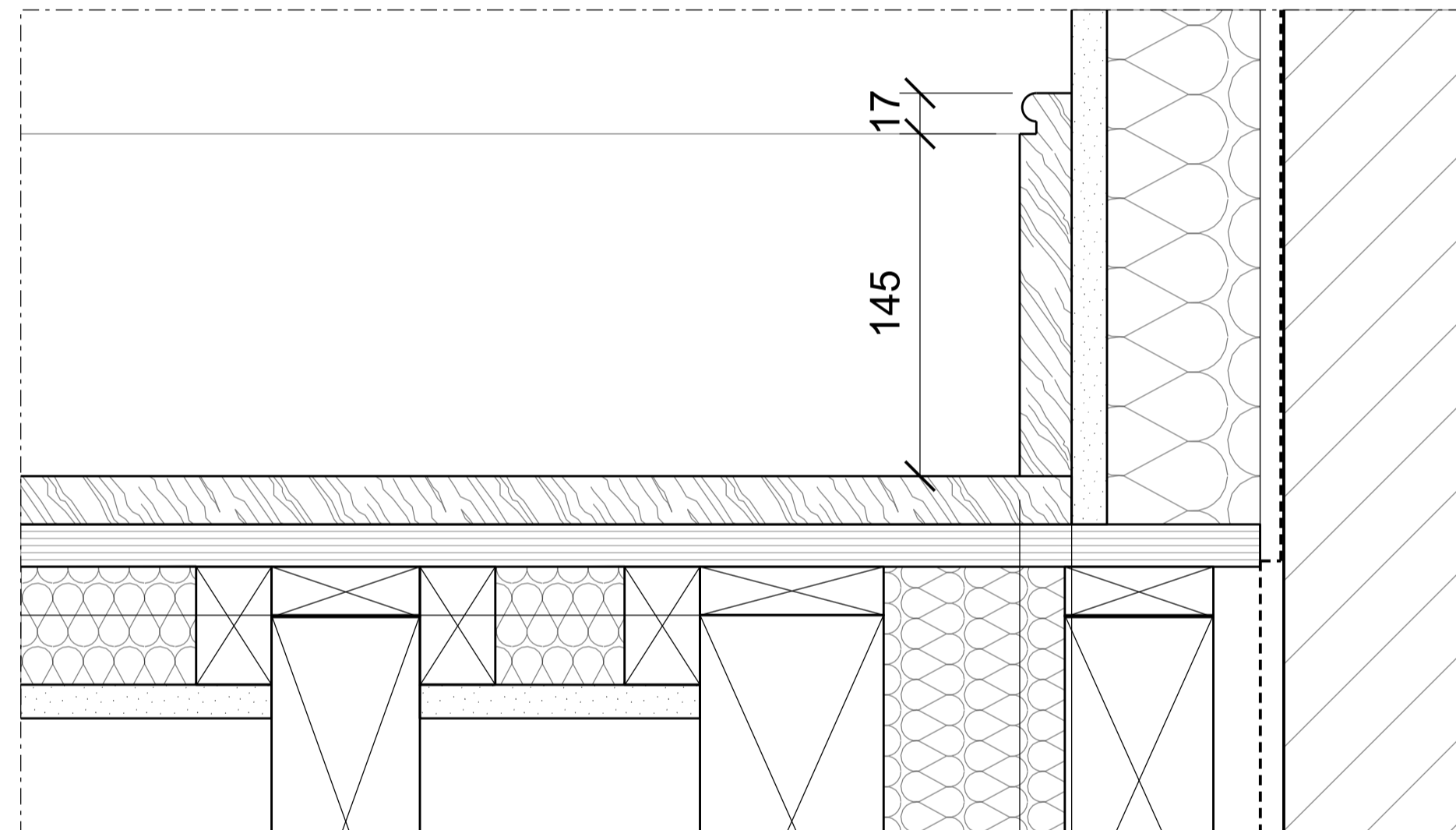
Typical Skirting Detail 1:5  
First Floor

22



Tulip Skirting

This drawing is not to be scaled  
Verify all dimensions on site



Typical Skirting Detail 1:5  
Second & Thrid Floor

22

A Planning App & LBC 11/12/19

**FOR INFORMATION**

Client

Jose & Daniela Neves

Project

40 Chester Terrace  
London NW1 4ND

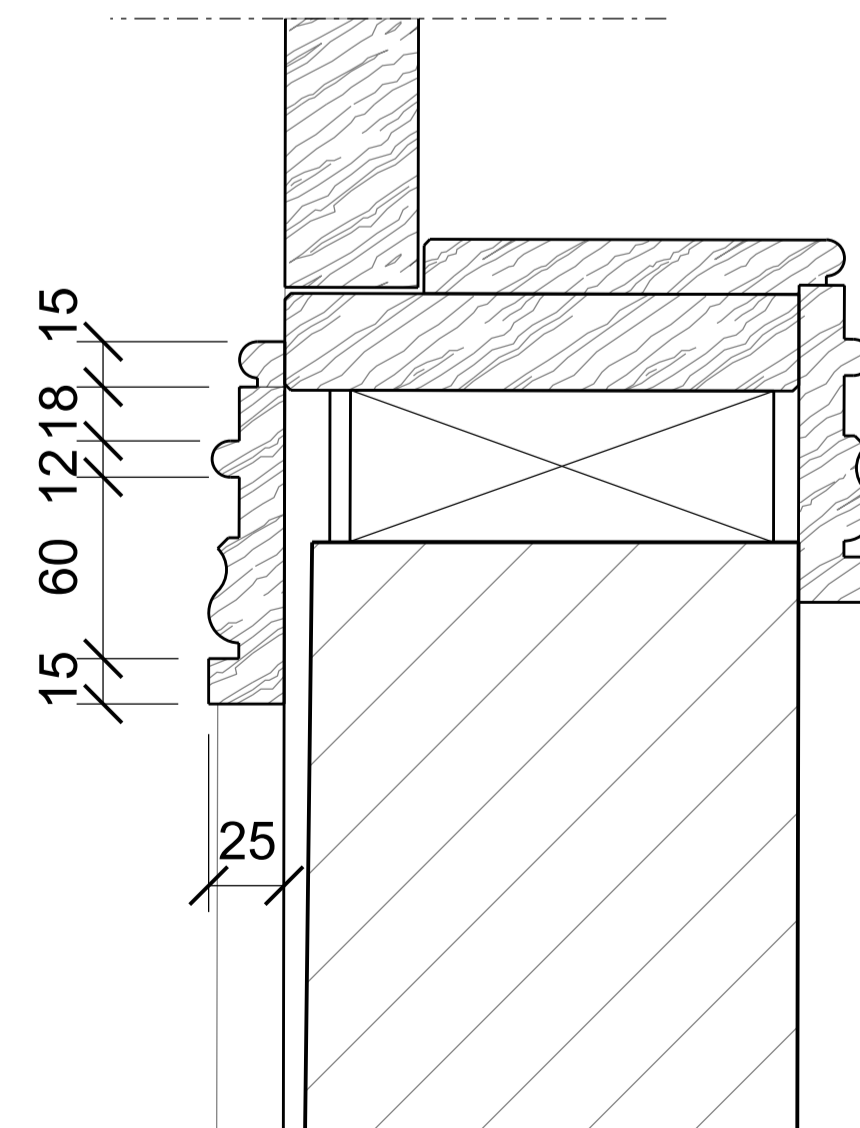
Title

Typical skirting  
And architrave  
Details

Drawn By	Checked By	Scale	Date
		1:5 @ A3	Aug 19

Drawing No	Revision
1154/P/5/001	A

GROVES NATCHEVA ARCHITECTS



Typical Architrave Detail 1:5  
as existing



Tulip Architrave

T: +44 (0)20 7937 7772  
E: info@grovesnatcheva.com  
W: www.grovesnatcheva.com

6 Kensington Court Mews London UK W8 5DR