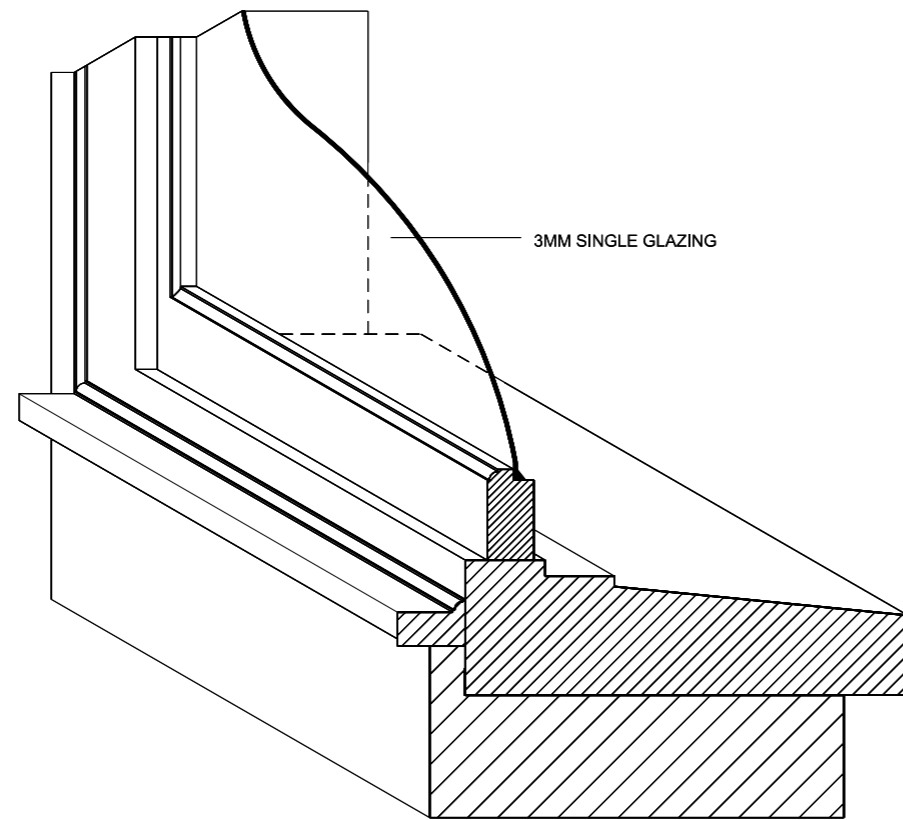
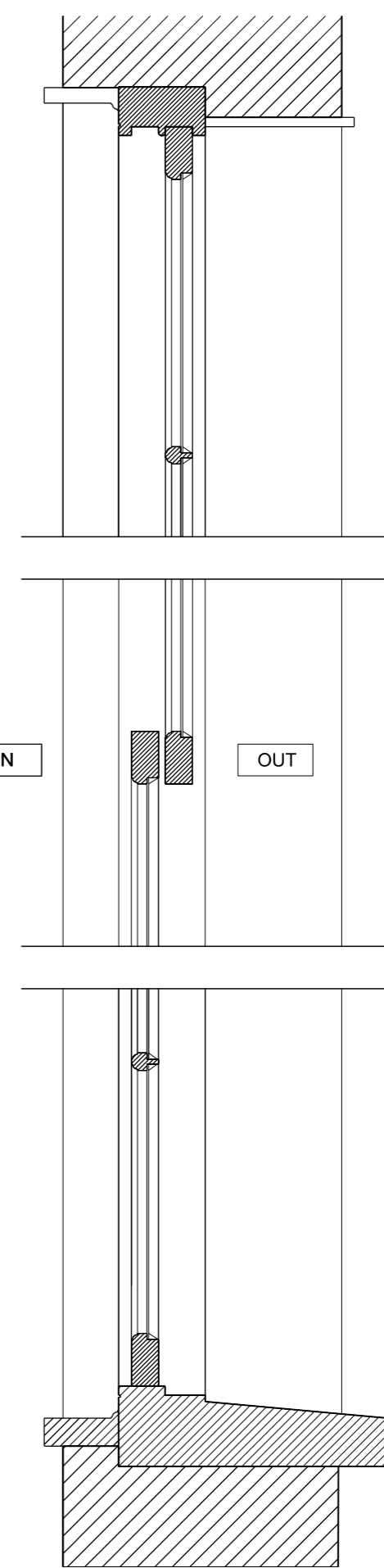


2 WINDOW PLAN - TYPICAL



1 EXISTING SINGLE GLAZING ISOMETRIC VIEW - NTS



5 HEAD & MULLION SECTION (TYP)

4 MEETING STILE SECTION (TYP)

3 SILL SECTION (TYP)

REVISION

-	15.03.2018	ISSUED FOR PRE-PLANNING APPLICATION ADVICE
A	20.12.2019	ISSUED FOR PLANNING AND LISTED BUILDING CONSENT APPLICATIONS

NOTES:  
 - THIS IS A SCHEME DRAWING AND IS INTENDED TO ILLUSTRATE THE GENERAL ARRANGEMENT OF THE PROJECT PROPOSALS FOR THE PURPOSE OF PLANNING APPLICATION  
 - THIS DRAWING MUST NOT BE USED FOR CONSTRUCTION  
 - DO NOT SCALE FROM THIS DRAWING  
 - ALL DIMENSIONS MUST BE VERIFIED ON SITE

CLIENT	MR RON PASCALOVICI
PROJECT	26 CHRISTCHURCH HILL LONDON NW3 1LG
TITLE	EXISTING WINDOW DETAILS SINGLE GLAZING AND ISOMETRIC VIEW - TYPICAL
DWG No	1069.20.128_A
SCALE	1:10 @ A3

**ERICA JONG ARCHITECTS**  
 ARCHITECTURE DESIGN MANAGEMENT  
 48 Fairhazel Gardens London NW6 3SJ  
 T [0]207 372 5768  
 E info@ericajongarchitects.com  
 www.ericajongarchitects.com