


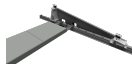

# Drawing |

## Building 1 - Area 1 - Default Subarea 1



Project report  
ValkPVplanner

**Project name** : CAST4333.01  
**Date (modified)** : 11-04-2019  
**Time (modified)** : 16:22  
**Company** : Solstice Energy Ltd  
**User** : Robert Banford  
**Version ValkPVplanner** : 2.7.1 (Simple Mode)

(X)	Panels with mass carriers Number represents FULL tiles.	
(X)	Panels with side panels and mass carriers Number represents FULL tiles.	
(X)	Panels with side panels Number represents HALF tiles. Use HALF tiles only.	
1 Tile = 30 x 30 x 4,5 cm   9 kg 0,5 Tile = 30 x 15 x 4,5   4,5 kg		

(2)	2	2	2	2	2	2	2
(2)	0.5	0.5	0.5	0.5	0.5	0.5	0.5
(2)	0.5	0.5	0.5	0.5	0.5	0.5	0.5
(2)	0.5	0.5	0.5	0.5	0.5	0.5	0.5
(2)	0.5	0.5	0.5	0.5	0.5	0.5	0.5
(2)	0.5	0.5	0.5	0.5	0.5	0.5	0.5
(2)	0.5	0.5	0.5	0.5	0.5	0.5	0.5
(2)	2	2	2	2	2	2	2