

notes

- All dimensions to be checked on site before fabrication
- Contractor to refer to engineers' drawings before proceeding with works
- All drawings and designs are covered by design right (Intellectual property), and may not be distributed, copied or issued without written consent of the architect
- All design concepts are the sole property of the architect and no adaptations, reproductions or copies may be made without written consent of the architect
- These drawings are subject to any variation required or recommended by any statutory authority, or for the better carrying out of the works
- Samples to be provided by contractor for the architect approval
- All finishes to architect's satisfaction
- All drawings to be approved by the architect before construction
- All works to be carried out in accordance with current Building Regulations

revisions	date	rev
Planning	05/12/19	00

architect

CCASA
ARCHITECTS

1E Mentmore Terrace
London, E8 3DQ
info@ccasa.co.uk
www.ccasa.co.uk
@ccasaarchitects

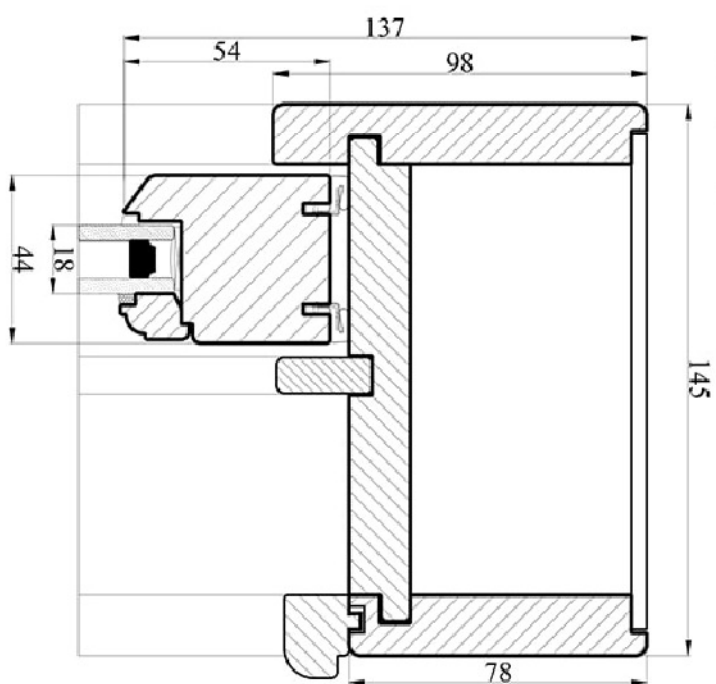
project
55 Dartmouth Park Road
London NW5 1SL

client
Private Client

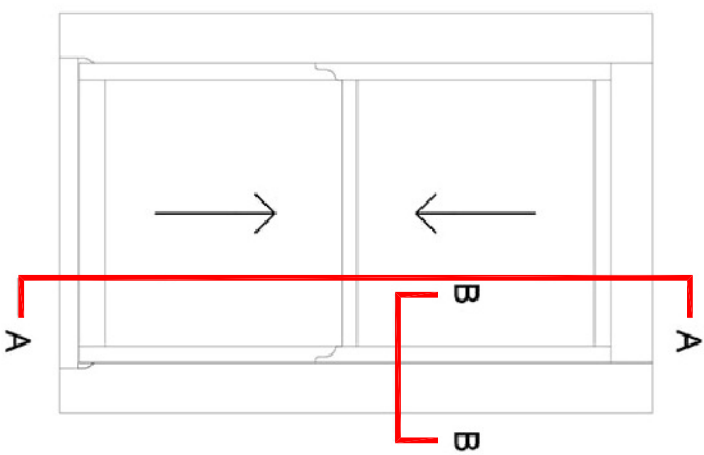
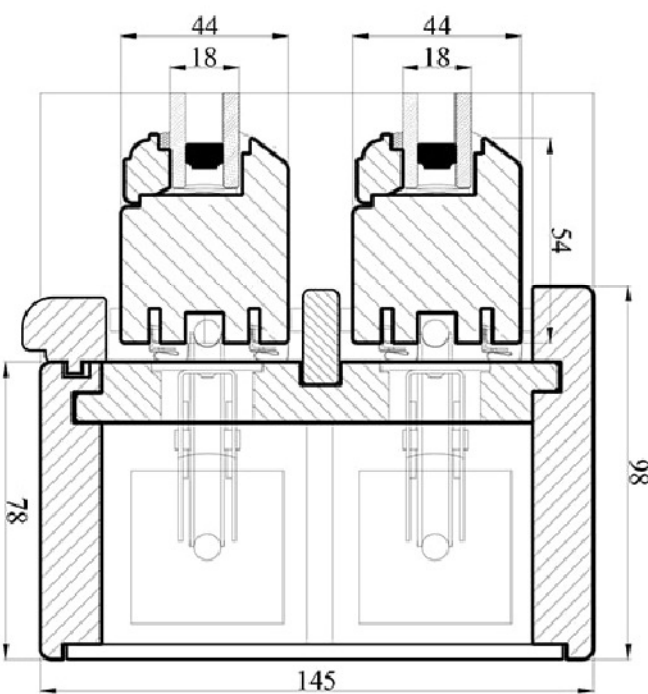
drawing title
PROPOSED
Typical Timber Window Detail

scale at A1	scale at A3	date
-	1:2	05.12.19
job no.	drawing	rev.
1939	PA-07	00

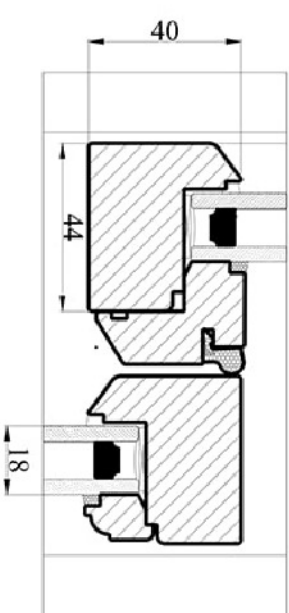
Section A-A



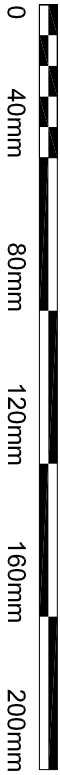
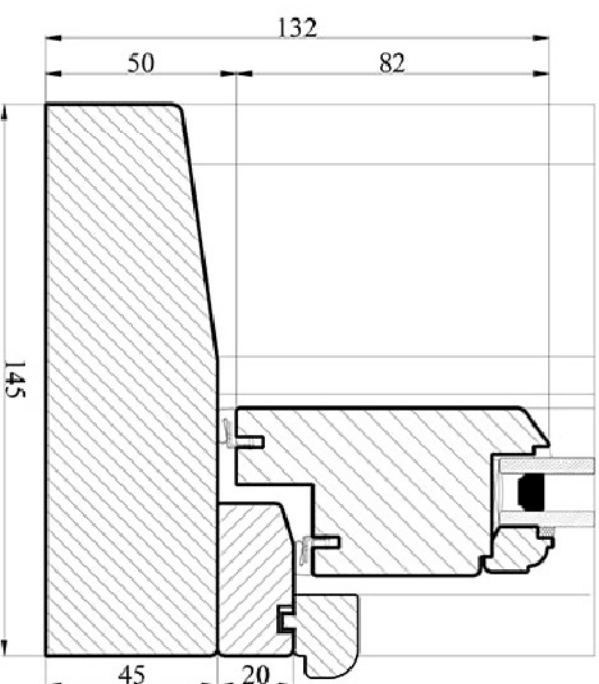
Section B-B



Section A-A



Section A-A



Proposed - Timber Sash Conservation Style Double Glazed Window Details
Scale 1:2@A3
PA-07