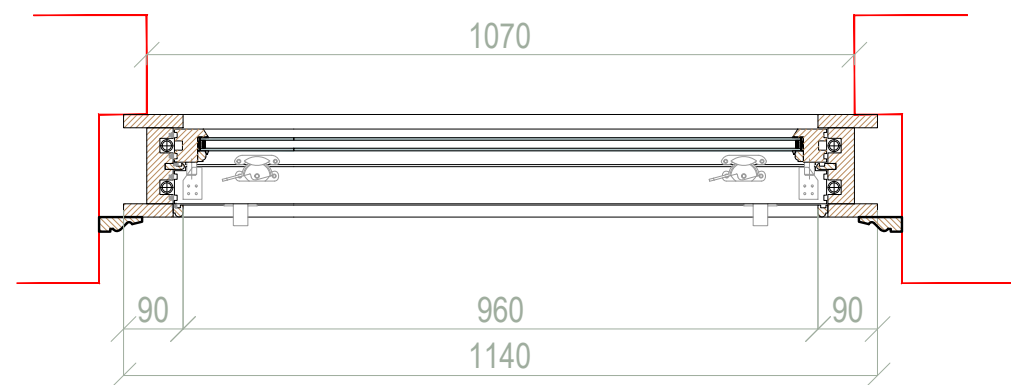
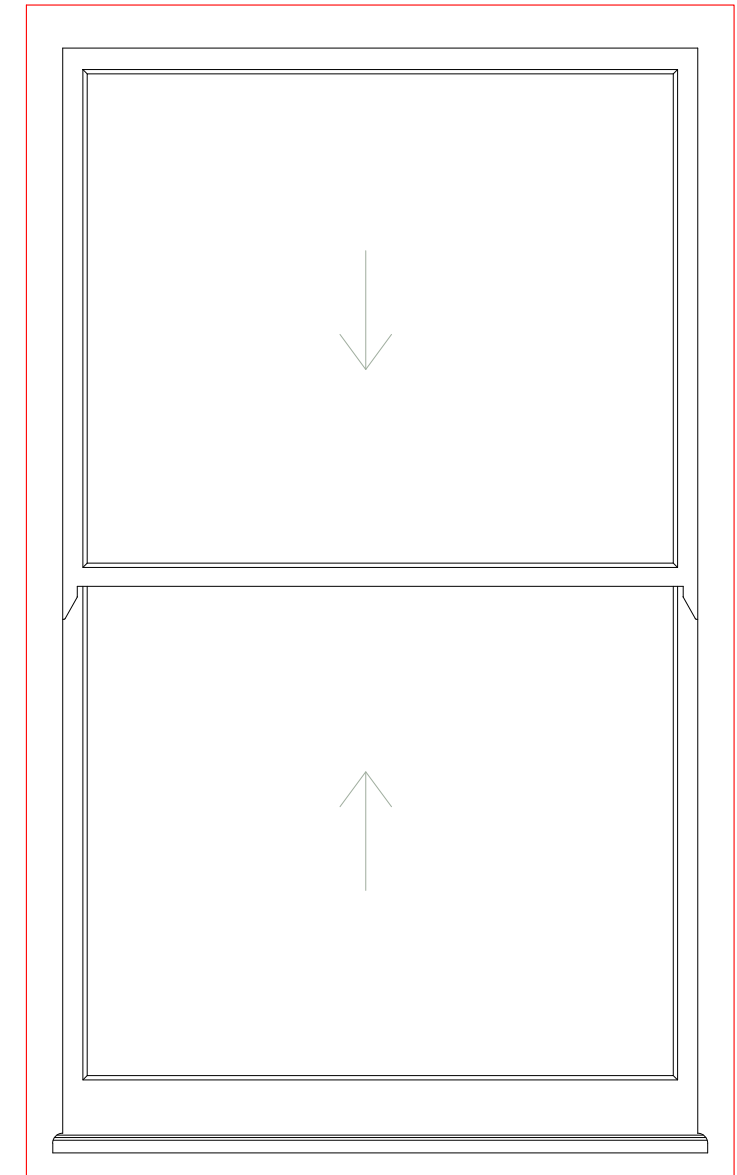
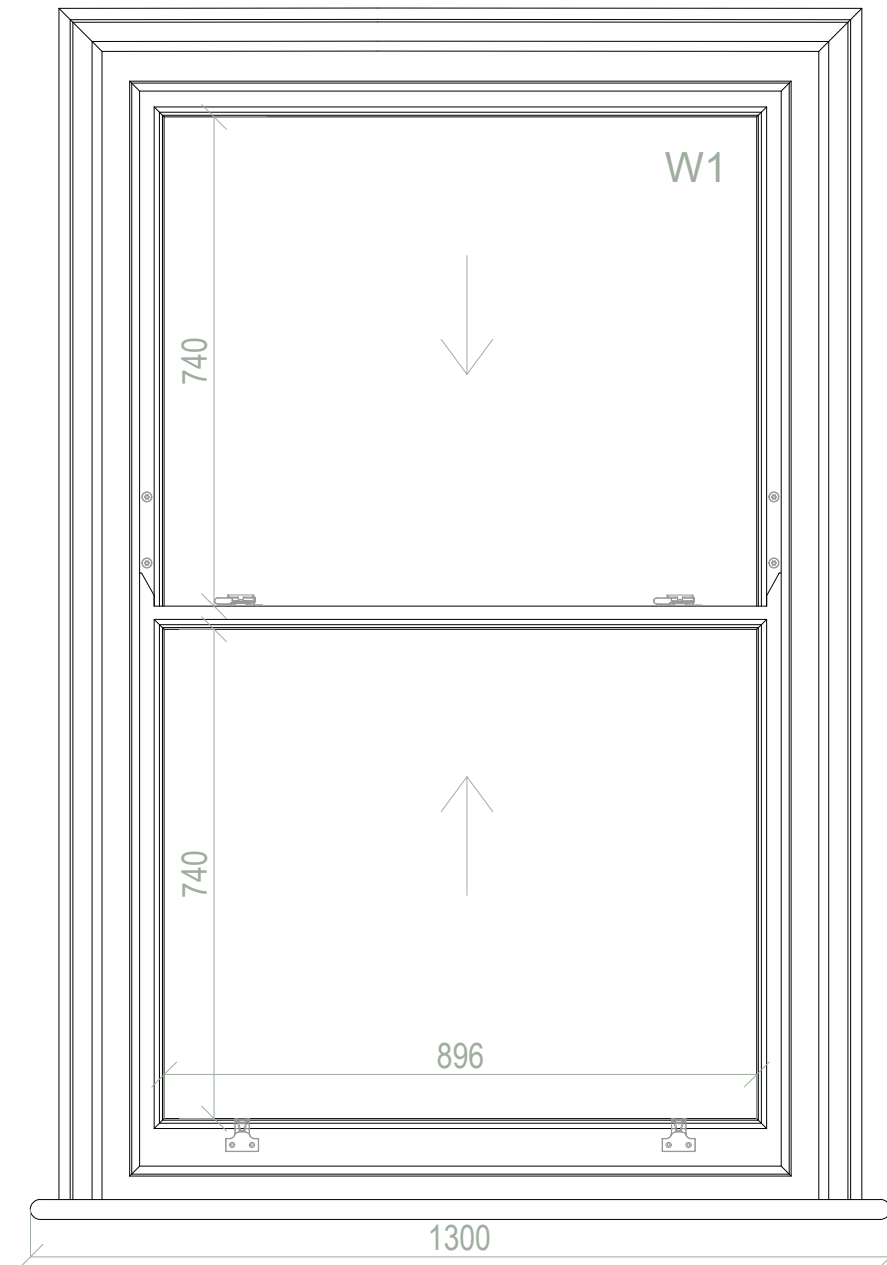
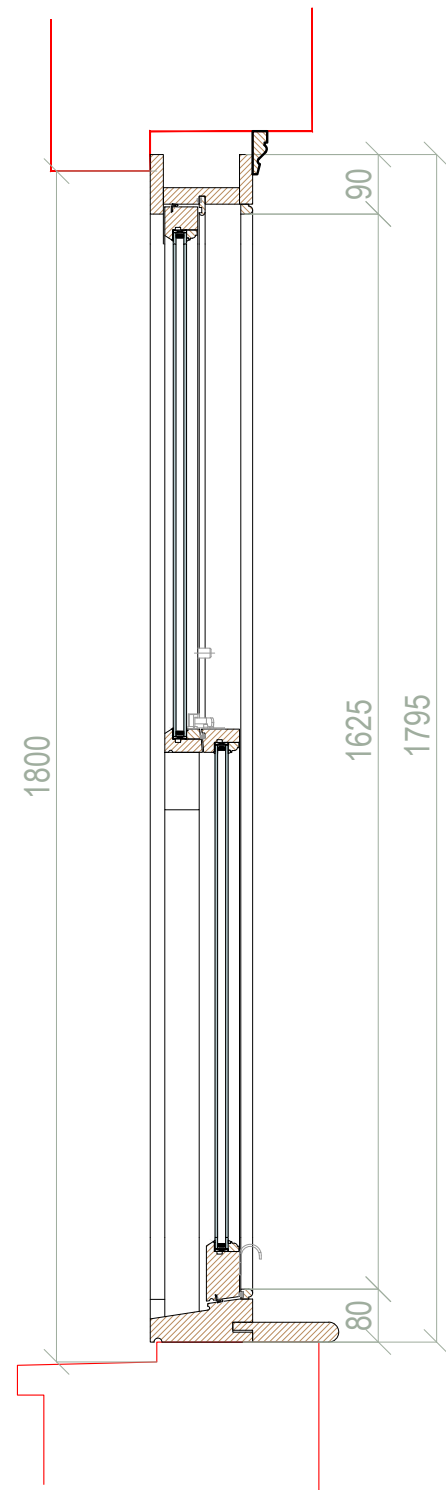


VIEW FROM THE INSIDE

VIEW FROM THE OUTSIDE



SPRING ASSISTED SASH WINDOW - Kitchen (rear)

W1 H - 1795 mm, W - 1140 mm.

TIMBER: Softwood (hardwood sill)

GLAZING: top panel 4 - 12Ar - 4LowE;
bottom panel 4 - 12Ar - 4LowE.

SPACER: warm edge

INSIDE PAINT: RAL 9010 satin

OUTSIDE PAINT: RAL 9010 satin

IRONMONGERY: Antique brass

ATTENTION: sash stops at positions 50 and 150mm



AYRTON
WINDOWS & DOORS

AYRTON WINDOWS & DOORS
The Showroom 406-408 Merton Road, SW18 5AD, Wandsworth
Tel-(020)-8877-8920
e-mail-enquiries@ayrtonbespoke.co.uk

ALL DIMENSIONS TO BE CHECKED ON SITE BEFORE COMMENCING WORK. NO DIMENSIONS TO BE SCALED FROM THIS DRAWING.
If this drawing or any part thereof is used for any purpose other than assessing the design and/or specification of Ayrton Bespoke Ltd without the express written permission of Ayrton Bespoke Ltd, a fee will be charged being the actual cost of production of the drawing or its value to the user, whichever is the greater.

Project 10058 - Jin Wang

Drawn By Mindaugas Kazeva

Scale 1:10 @ A3

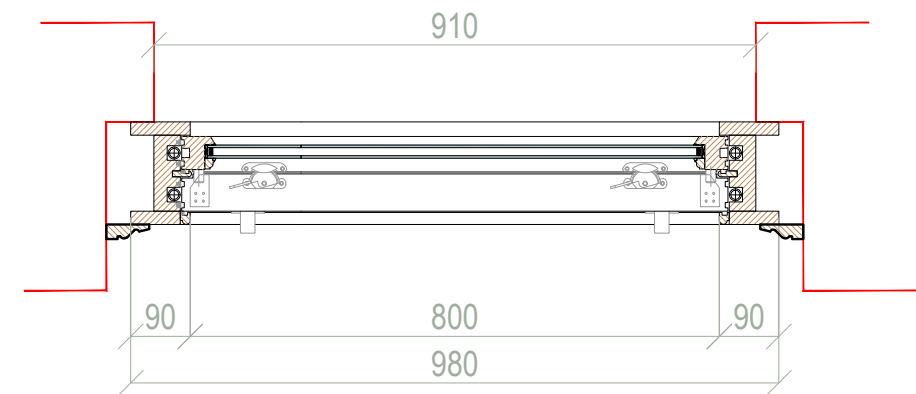
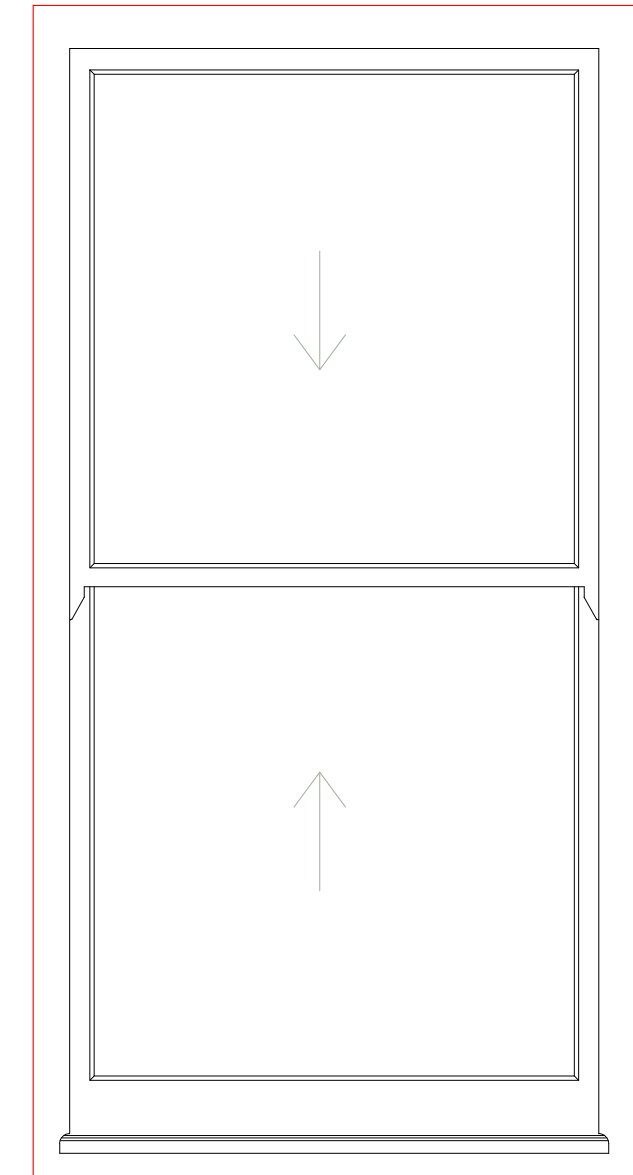
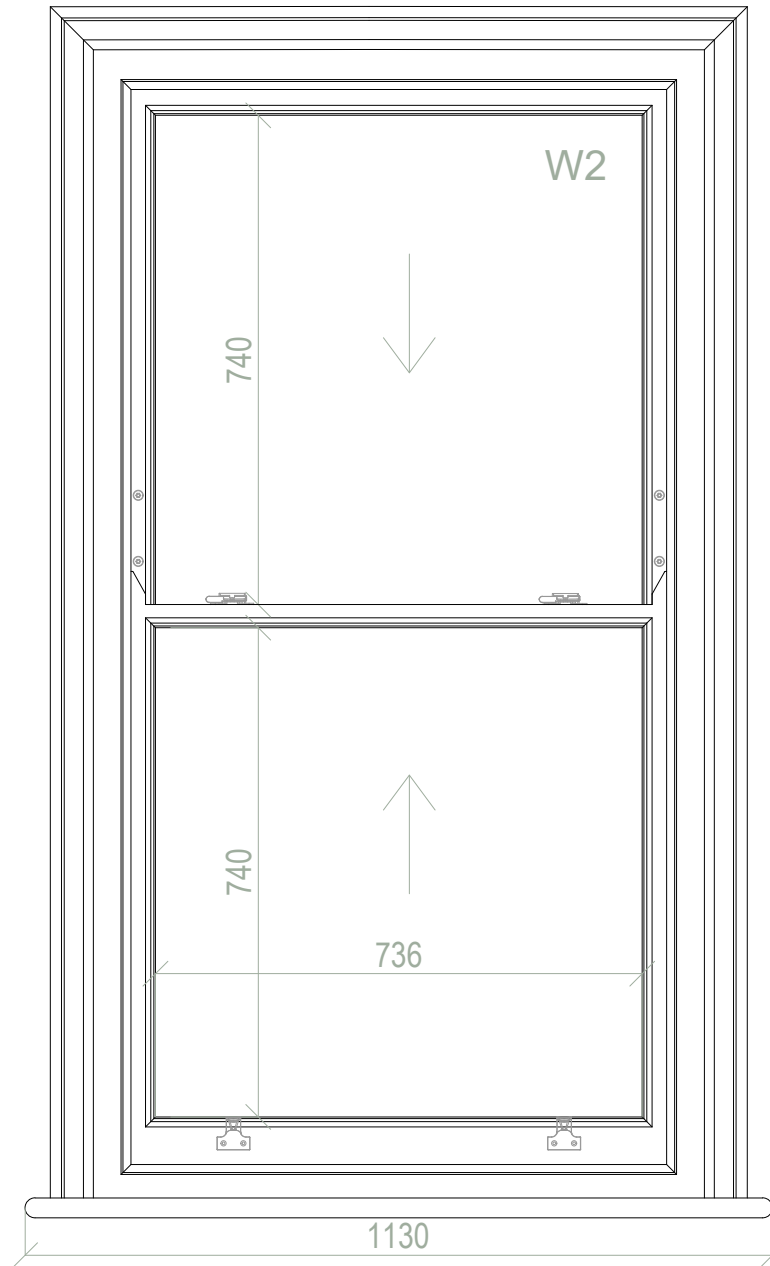
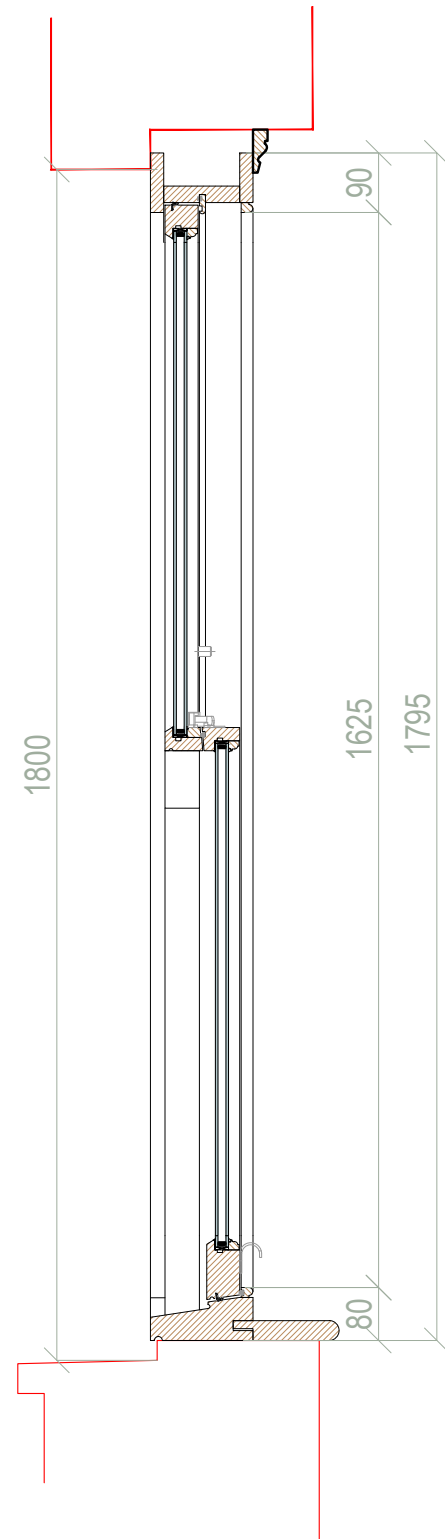
Element Sash window

Date 15/10/2019

Chkd By ----

VIEW FROM THE INSIDE

VIEW FROM THE OUTSIDE



SPRING ASSISTED SASH WINDOW - Kitchen (rear)

W2 H - 1795 mm, W - 980 mm.

TIMBER: Softwood (hardwood sill)

GLAZING: top panel 4 - 12Ar - 4LowE;
bottom panel 4 - 12Ar - 4LowE.

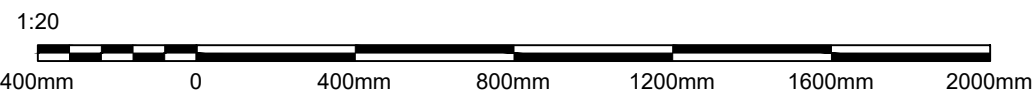
SPACER: warm edge

INSIDE PAINT: RAL 9010 satin

OUTSIDE PAINT: RAL 9010 satin

IRONMONGERY: Antique brass

ATTENTION: sash stops at positions 50 and 150mm



AYRTON
WINDOWS & DOORS

AYRTON WINDOWS & DOORS
The Showroom 406-408 Merton Road, SW18 5AD, Wandsworth
Tel-(020)-8877-8920
e-mail-enquiries@ayrtonbespoke.co.uk

ALL DIMENSIONS TO BE CHECKED ON SITE BEFORE COMMENCING WORK. NO DIMENSIONS TO BE SCALED FROM THIS DRAWING.
If this drawing or any part thereof is used for any purpose other than assessing the design and/or specification of Ayrton Bespoke Ltd without the express written permission of Ayrton Bespoke Ltd, a fee will be charged being the actual cost of production of the drawing or its value to the user, whichever is the greater.

Project 10058 - Jin Wang

Drawn By Mindaugas Kazeva

Scale 1:10 @ A3

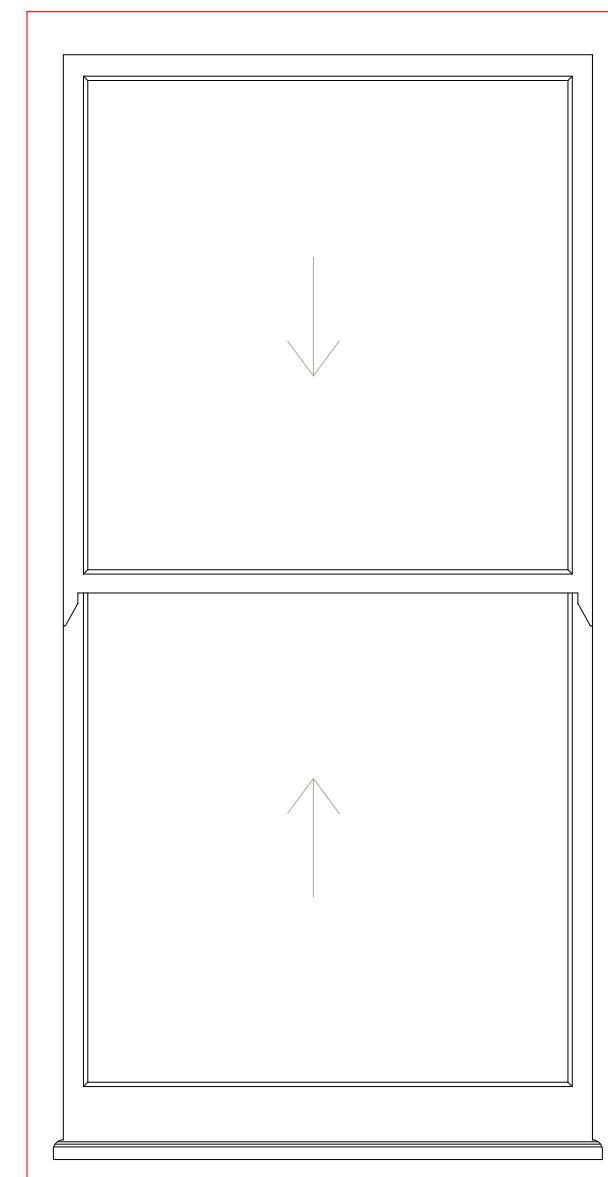
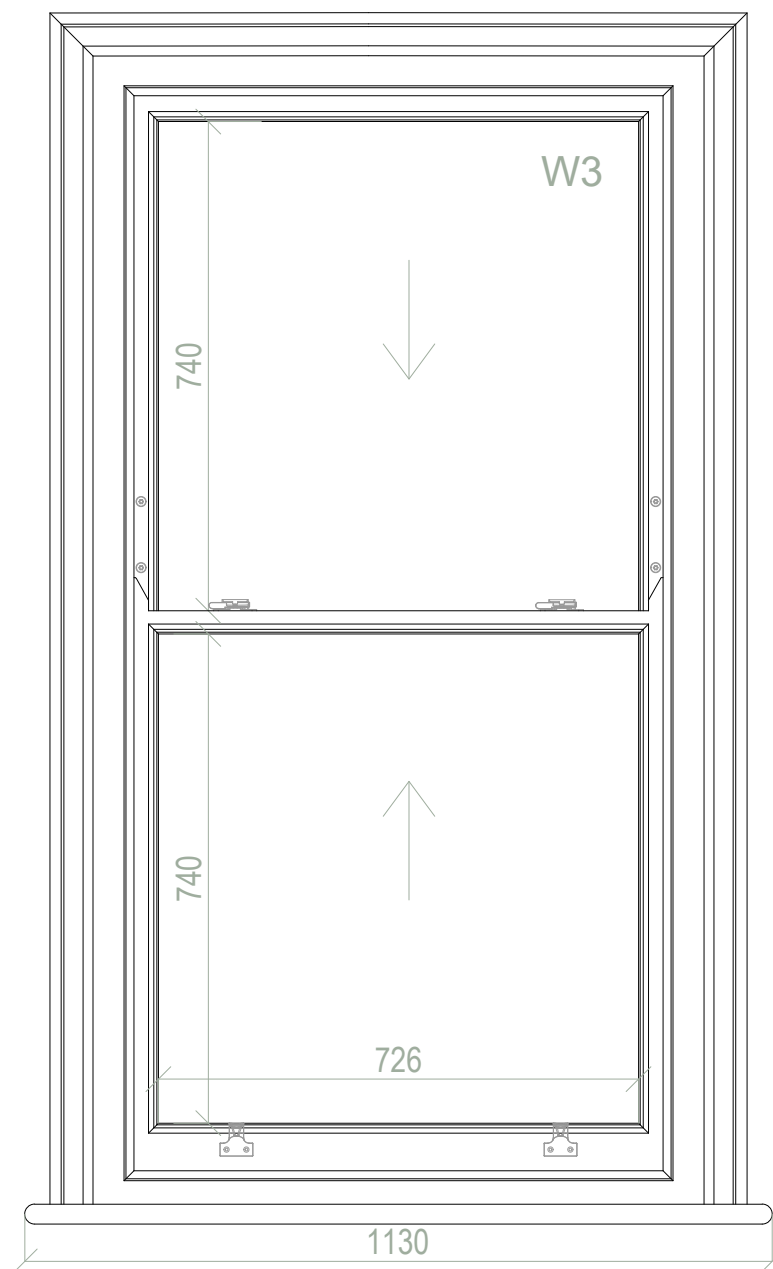
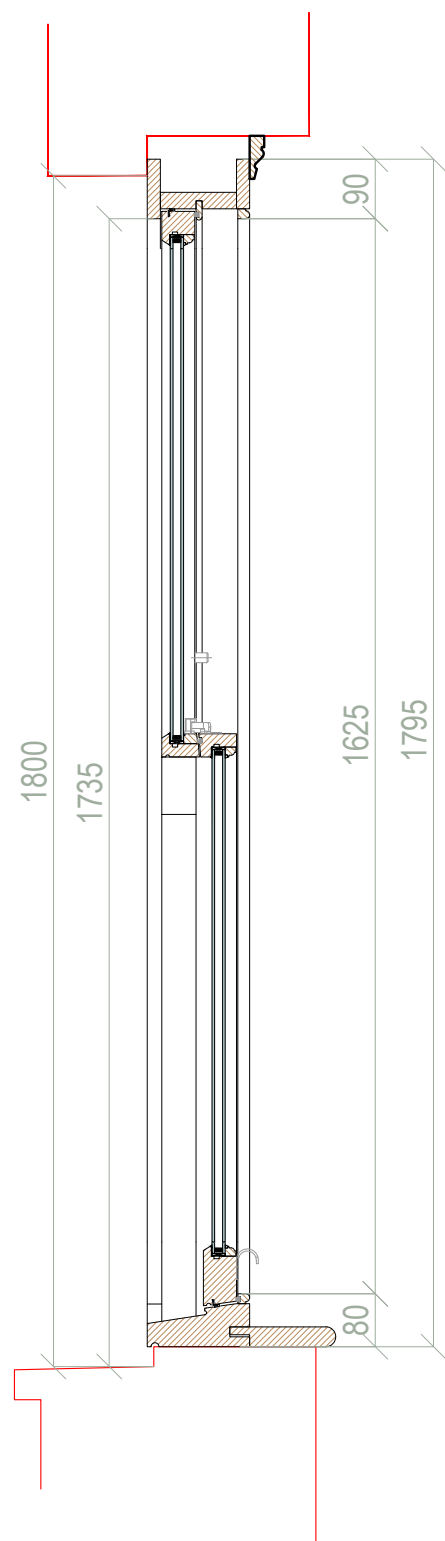
Element Sash window

Date 15/10/2019

Chkd By ---

VIEW FROM THE INSIDE

VIEW FROM THE OUTSIDE



SPRING ASSISTED SASH WINDOW - Lounge (rear)

W3 H - 1795 mm, W - 980 mm.

TIMBER: Softwood (hardwood sill)

GLAZING: top panel 4 - 12Ar - 4LowE;
bottom panel 4 - 12Ar - 4LowE.

SPACER: warm edge

INSIDE PAINT: RAL 9010 satin

OUTSIDE PAINT: RAL 9010 satin

IRONMONGERY: Antique brass

ATTENTION: sash stops at positions 50 and 150mm



AYRTON
WINDOWS & DOORS

AYRTON WINDOWS & DOORS
The Showroom 406-408 Merton Road, SW18 5AD, Wandsworth
Tel-(020)-8877-8920
e-mail-enquiries@ayrtonbespoke.co.uk

ALL DIMENSIONS TO BE CHECKED ON SITE BEFORE COMMENCING WORK. NO DIMENSIONS TO BE SCALED FROM THIS DRAWING.
If this drawing or any part thereof is used for any purpose other than assessing the design and/or specification of Ayrton Bespoke Ltd without the express written permission of Ayrton Bespoke Ltd, a fee will be charged being the actual cost of production of the drawing or its value to the user, whichever is the greater.

Project 10058 - Jin Wang

Drawn By Mindaugas Kazeva

Scale 1:10 @ A3

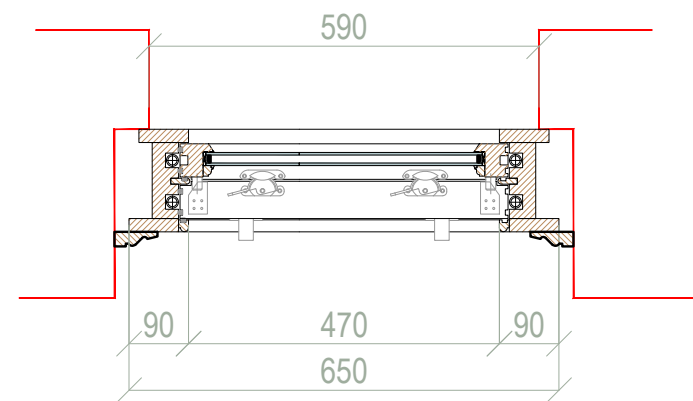
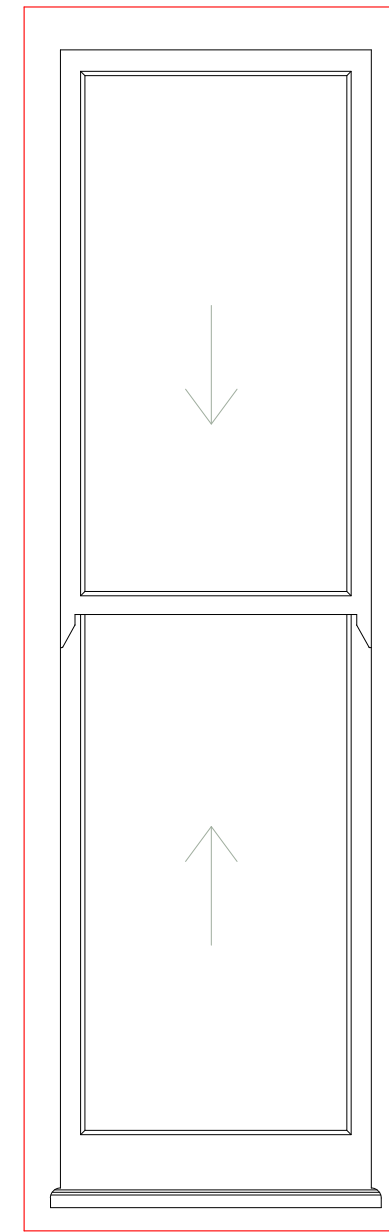
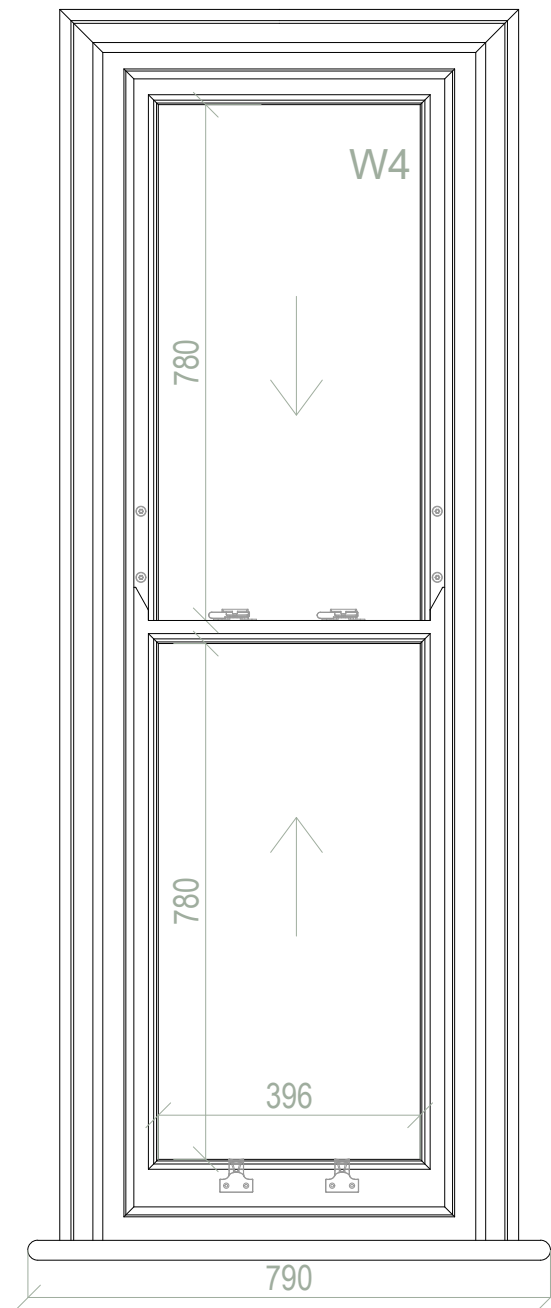
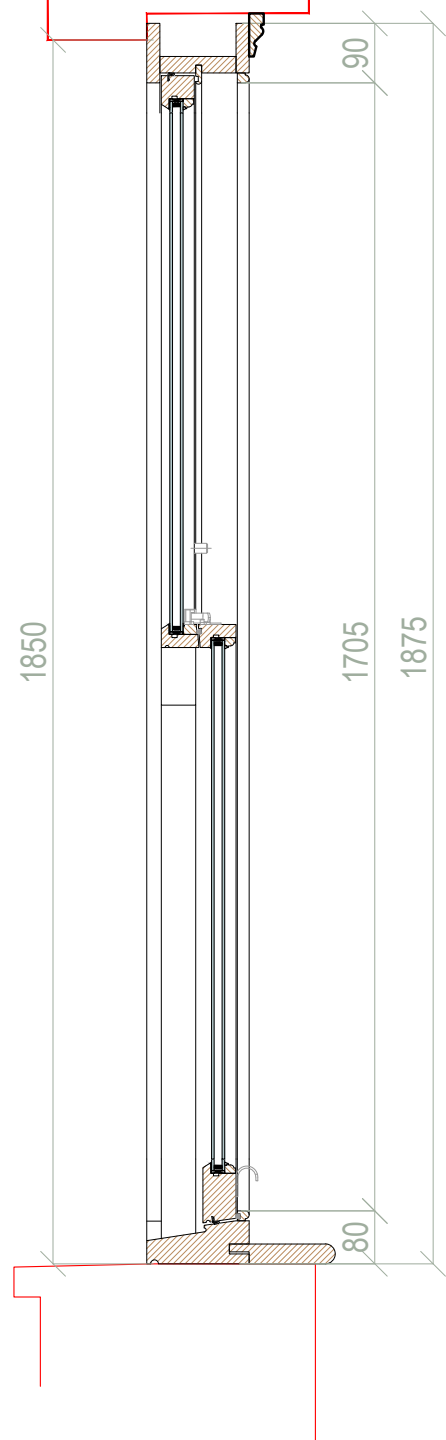
Element Sash window

Date 15/10/2019

Chkd By ----

VIEW FROM THE INSIDE

VIEW FROM THE OUTSIDE



SPRING ASSISTED SASH WINDOW - Lounge (rear)

W4 H - 1875 mm, W - 650 mm.

TIMBER: Softwood (hardwood sill)

GLAZING: top panel 4 - 12Ar - 4LowE;
bottom panel 4 - 12Ar - 4LowE.

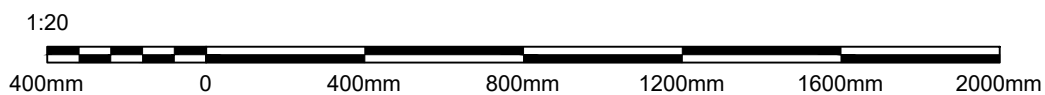
SPACER: warm edge

INSIDE PAINT: RAL 9010 satin

OUTSIDE PAINT: RAL 9010 satin

IRONMONGERY: Antique brass

ATTENTION: sash stops at positions 50 and 150mm



AYRTON
WINDOWS & DOORS

AYRTON WINDOWS & DOORS
The Showroom 406-408 Merton Road, SW18 5AD, Wandsworth
Tel-(020)-8877-8920
e-mail-enquiries@ayrtonbespoke.co.uk

ALL DIMENSIONS TO BE CHECKED ON SITE BEFORE COMMENCING WORK. NO DIMENSIONS TO BE SCALED FROM THIS DRAWING.
If this drawing or any part thereof is used for any purpose other than assessing the design and/or specification of Ayrton Bespoke Ltd without the express written permission of Ayrton Bespoke Ltd, a fee will be charged being the actual cost of production of the drawing or its value to the user, whichever is the greater.

Project 10058 - Jin Wang

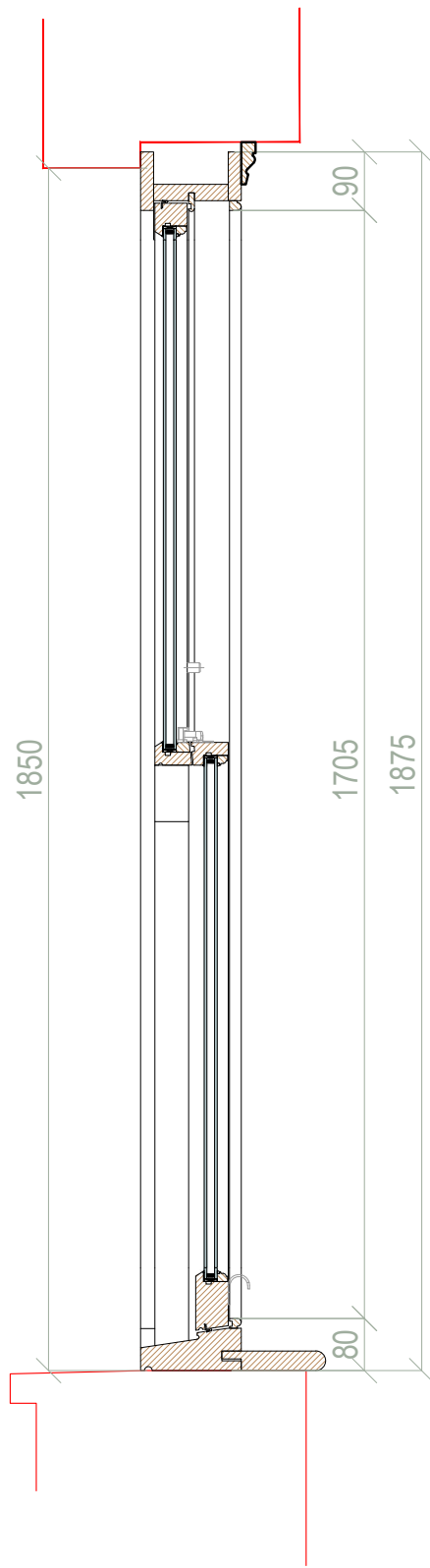
Drawn By Mindaugas Kazeva

Scale 1:10 @ A3

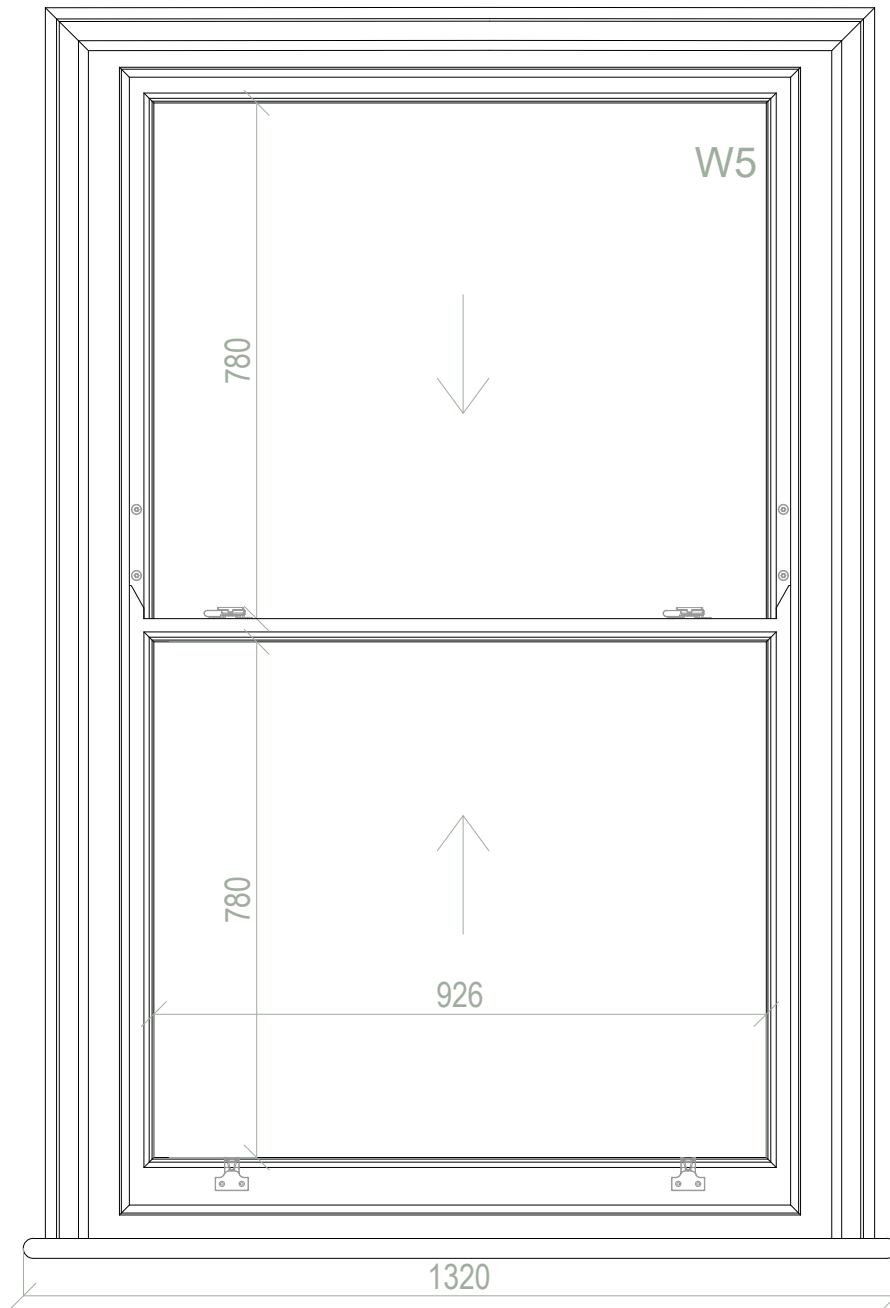
Element Sash window

Date 15/10/2019

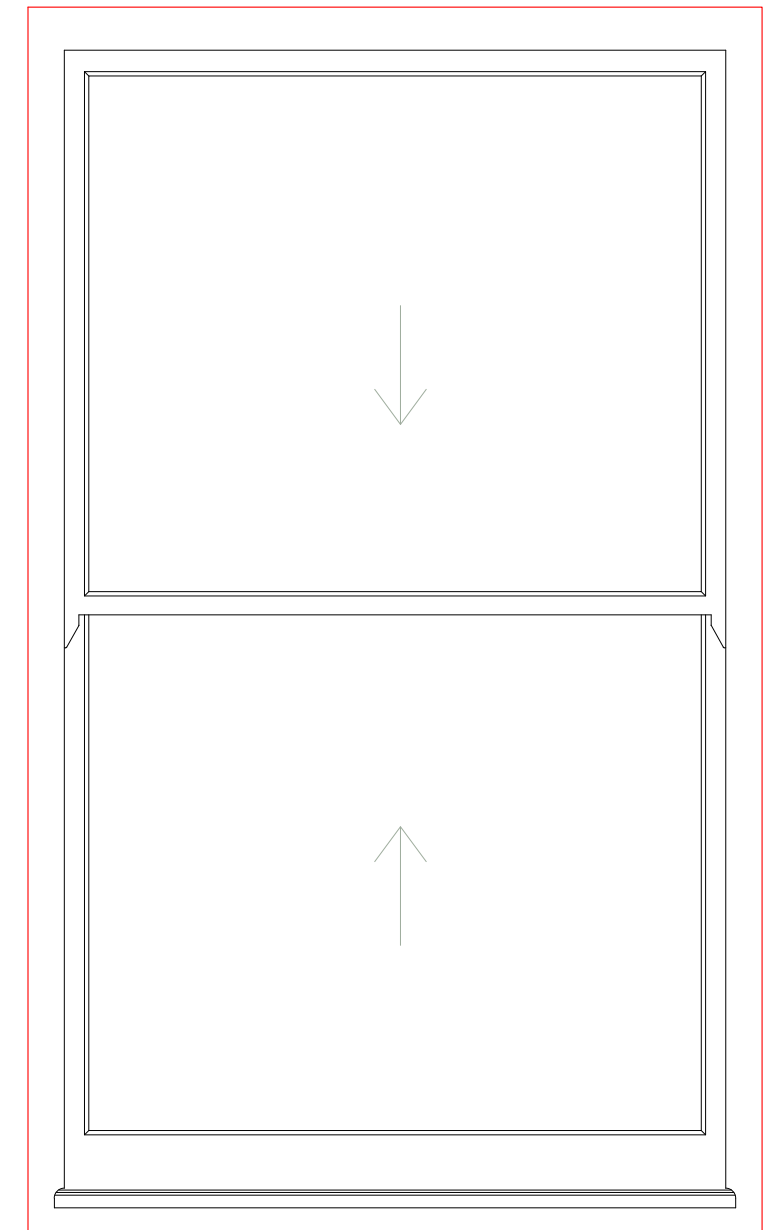
Chkd By ----



VIEW FROM THE INSIDE



VIEW FROM THE OUTSIDE



SPRING ASSISTED SASH WINDOW - Lounge (rear)

W5 H - 1875 mm, W - 1180 mm.

TIMBER: Softwood (hardwood sill)

GLAZING: top panel 4 - 12Ar - 4LowE;
bottom panel 4 - 12Ar - 4LowE.

SPACER: warm edge

INSIDE PAINT: RAL 9010 satin

OUTSIDE PAINT: RAL 9010 satin

IRONMONGERY: Antique brass

ATTENTION: sash stops at positions 50 and 150mm



AYRTON
WINDOWS & DOORS

AYRTON WINDOWS & DOORS
The Showroom 406-408 Merton Road, SW18 5AD, Wandsworth
Tel-(020)-8877-8920
e-mail-enquiries@ayrtontbespoke.co.uk

ALL DIMENSIONS TO BE CHECKED ON SITE BEFORE COMMENCING WORK. NO DIMENSIONS TO BE SCALED FROM THIS DRAWING.
If this drawing or any part thereof is used for any purpose other than assessing the design and/or specification of Ayrton Bespoke Ltd without the express written permission of Ayrton Bespoke Ltd, a fee will be charged being the actual cost of production of the drawing or its value to the user, whichever is the greater.

Project 10058 - Jin Wang

Drawn By Mindaugas Kazeva

Scale 1:10 @ A3

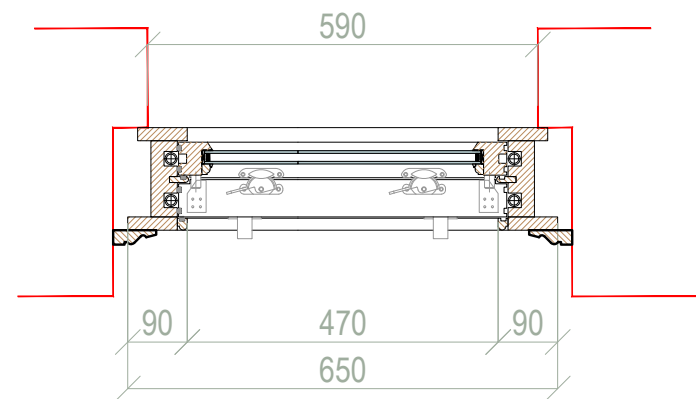
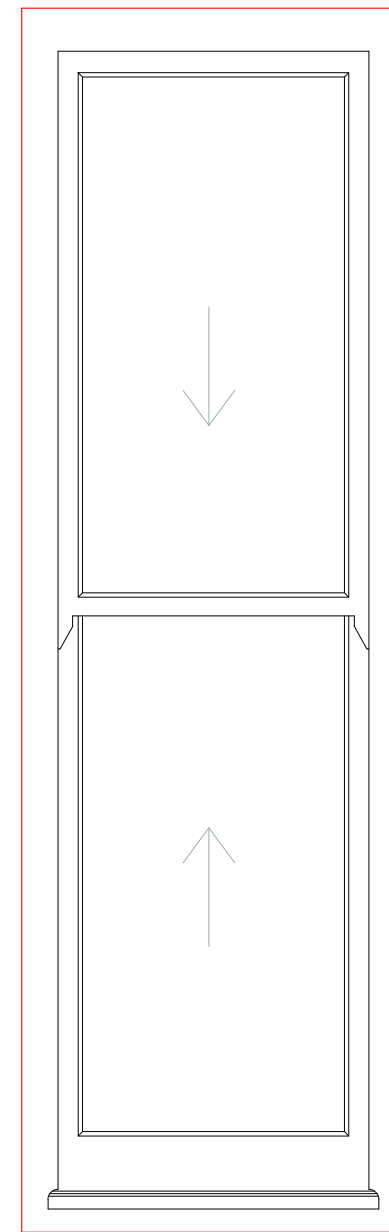
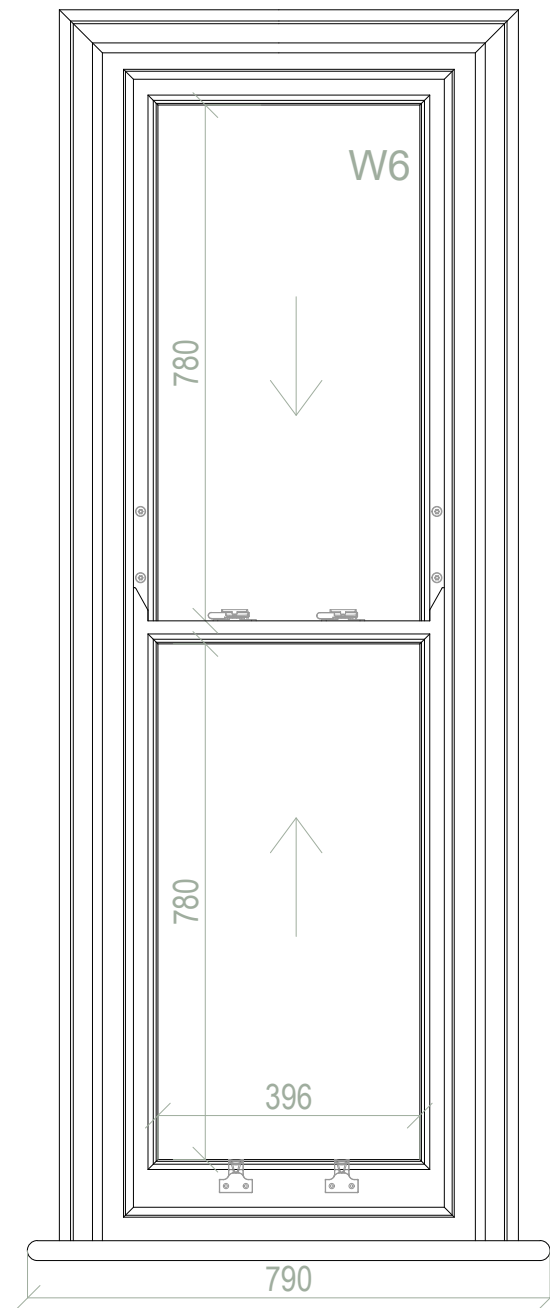
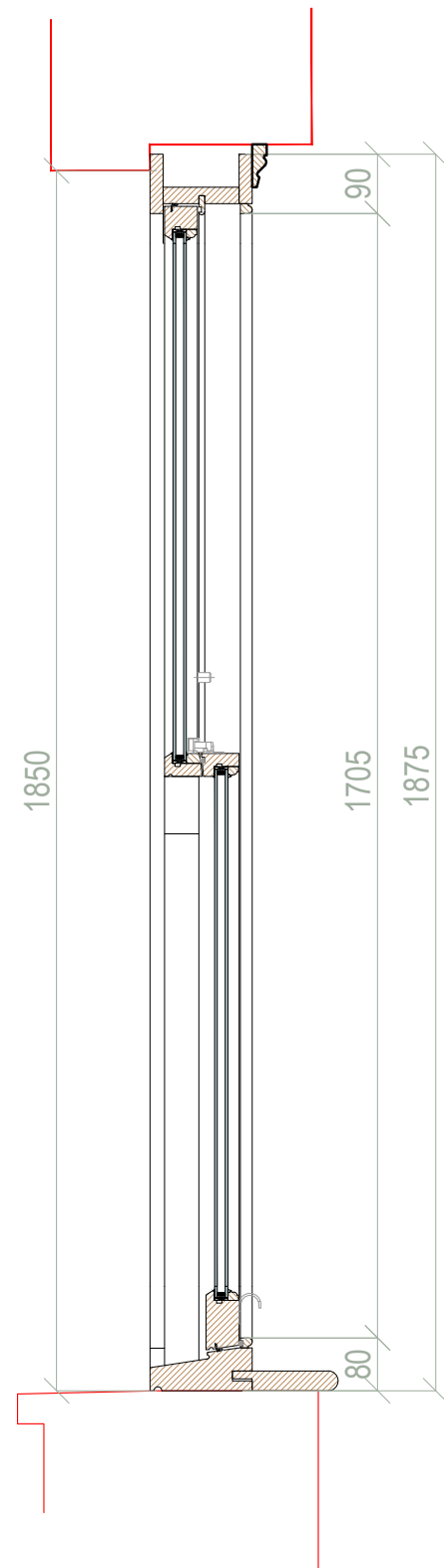
Element Sash window

Date 15/10/2019

Chkd By ---

VIEW FROM THE INSIDE

VIEW FROM THE OUTSIDE



SPRING ASSISTED SASH WINDOW - Lounge (rear)

W6 H - 1875 mm, W - 650 mm.

TIMBER: Softwood (hardwood sill)

GLAZING: top panel 4 - 12Ar - 4LowE;
bottom panel 4 - 12Ar - 4LowE.

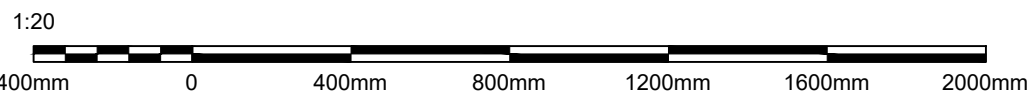
SPACER: warm edge

INSIDE PAINT: RAL 9010 satin

OUTSIDE PAINT: RAL 9010 satin

IRONMONGERY: Antique brass

ATTENTION: sash stops at positions 50 and 150mm



AYRTON
WINDOWS & DOORS

AYRTON WINDOWS & DOORS
The Showroom 406-408 Merton Road, SW18 5AD, Wandsworth
Tel-(020)-8877-8920
e-mail-enquiries@ayrtonbespoke.co.uk

ALL DIMENSIONS TO BE CHECKED ON SITE BEFORE COMMENCING WORK. NO DIMENSIONS TO BE SCALED FROM THIS DRAWING.
If this drawing or any part thereof is used for any purpose other than assessing the design and/or specification of Ayrton Bespoke Ltd without the express written permission of Ayrton Bespoke Ltd, a fee will be charged being the actual cost of production of the drawing or its value to the user, whichever is the greater.

Project 10058 - Jin Wang

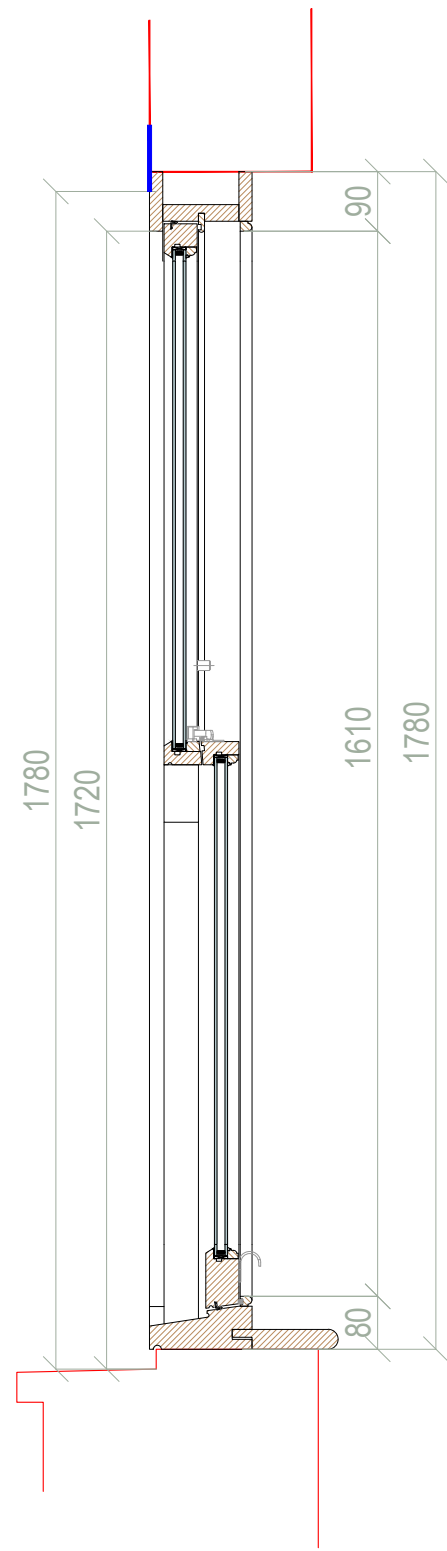
Drawn By Mindaugas Kazeva

Scale 1:10 @ A3

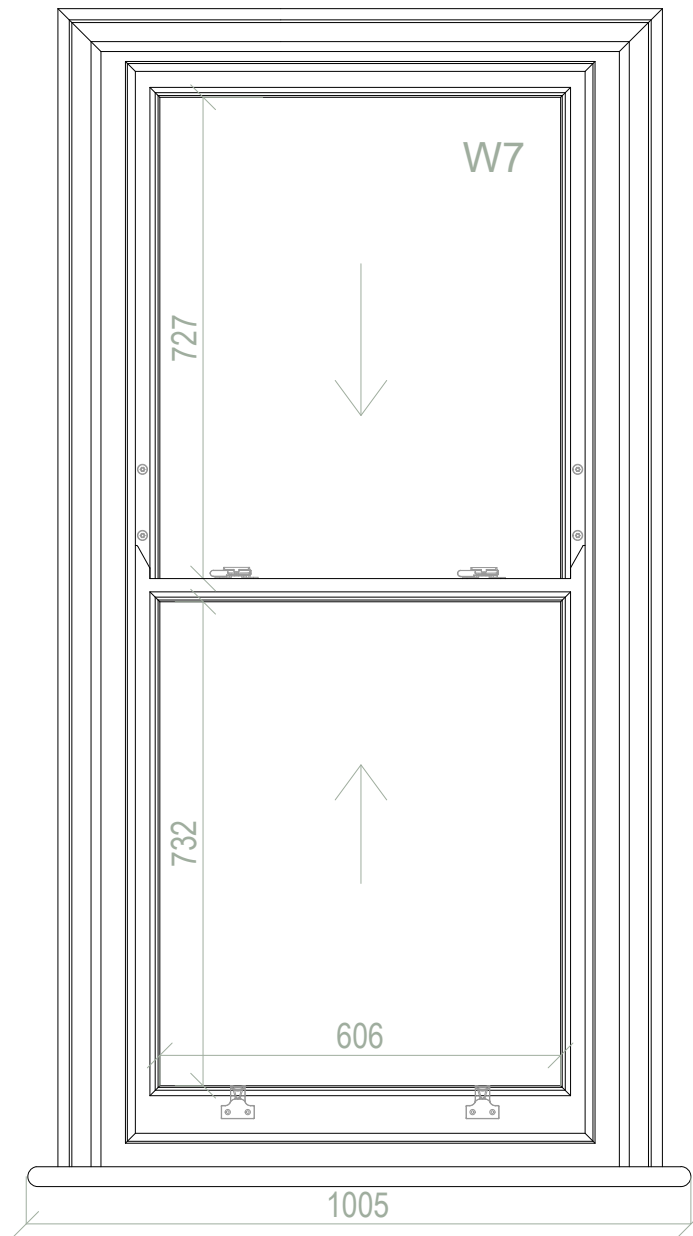
Element Sash window

Date 15/10/2019

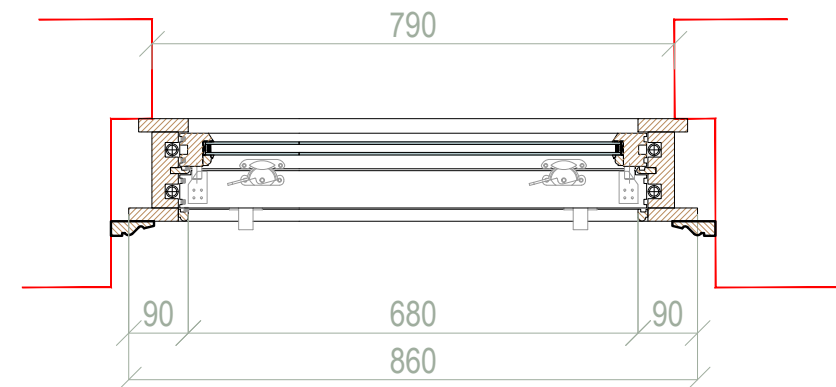
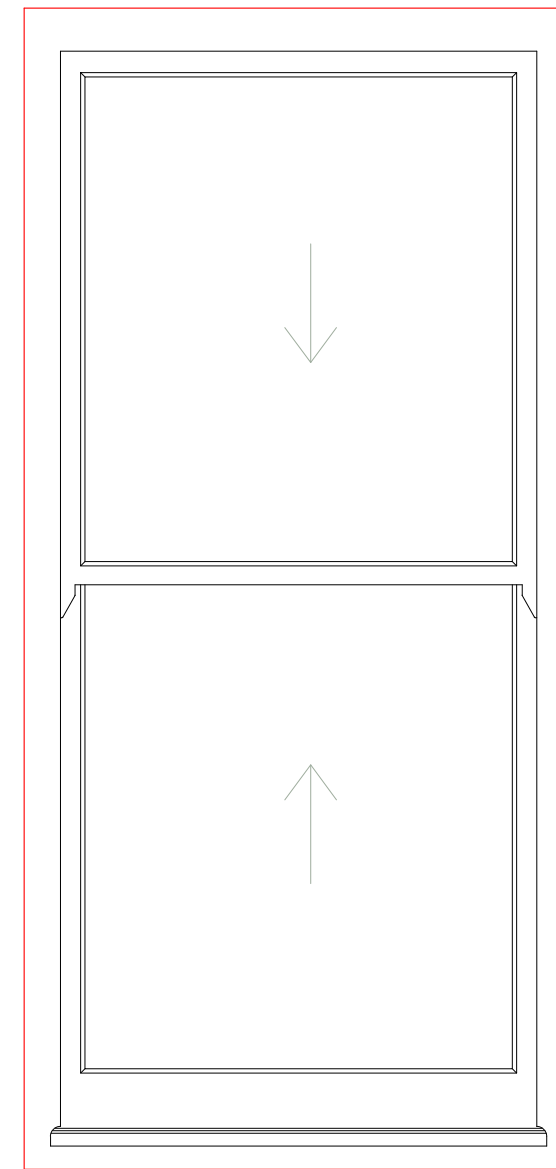
Chkd By ----



VIEW FROM THE INSIDE



VIEW FROM THE OUTSIDE



SPRING ASSISTED SASH WINDOW - M. Bedroom (front)

W7 H - 1780 mm, W - 860 mm.

TIMBER: Softwood (hardwood sill)

GLAZING: top panel 4 - 12Ar - 4LowE;
bottom panel 4 - 12Ar - 4LowE.

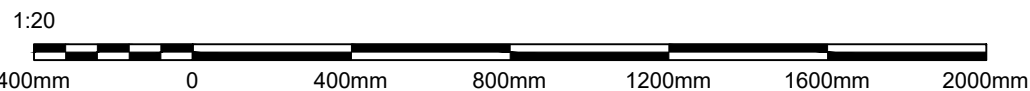
SPACER: warm edge

INSIDE PAINT: RAL 9010 satin

OUTSIDE PAINT: RAL 9010 satin

IRONMONGERY: Antique brass

ATTENTION: sash stops at positions 50 and 150mm



AYRTON
WINDOWS & DOORS

AYRTON WINDOWS & DOORS
The Showroom 406-408 Merton Road, SW18 5AD, Wandsworth
Tel-(020)-8877-8920
e-mail-enquiries@ayrtonbespoke.co.uk

ALL DIMENSIONS TO BE CHECKED ON SITE BEFORE COMMENCING WORK. NO DIMENSIONS TO BE SCALED FROM THIS DRAWING.
If this drawing or any part thereof is used for any purpose other than assessing the design and/or specification of Ayrton Bespoke Ltd without the express written permission of Ayrton Bespoke Ltd, a fee will be charged being the actual cost of production of the drawing or its value to the user, whichever is the greater.

Project 10058 - Jin Wang

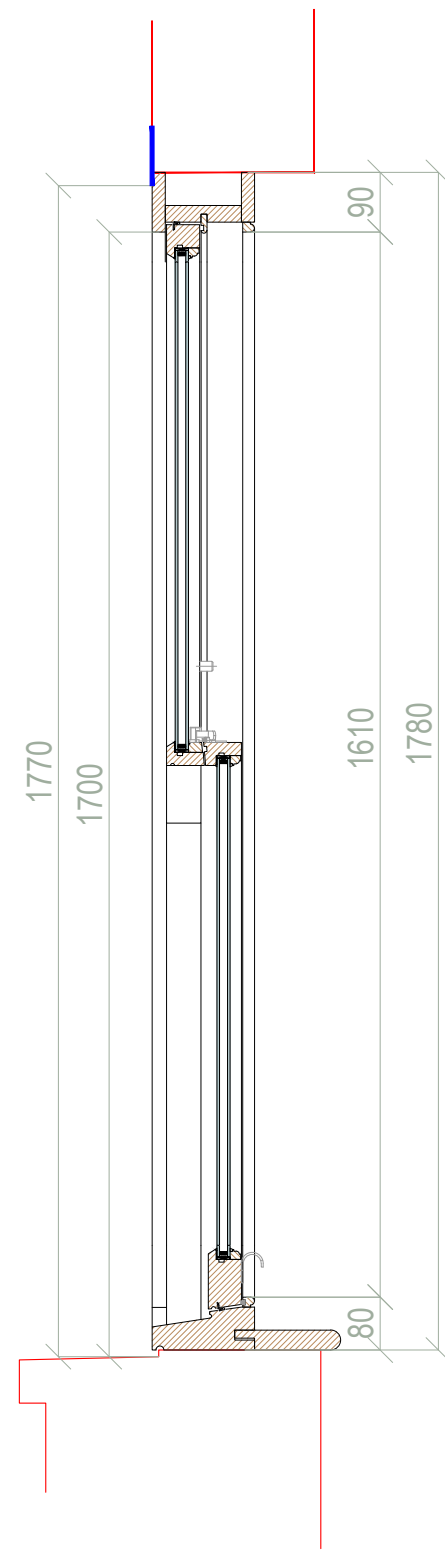
Drawn By Mindaugas Kazeva

Scale 1:10 @ A3

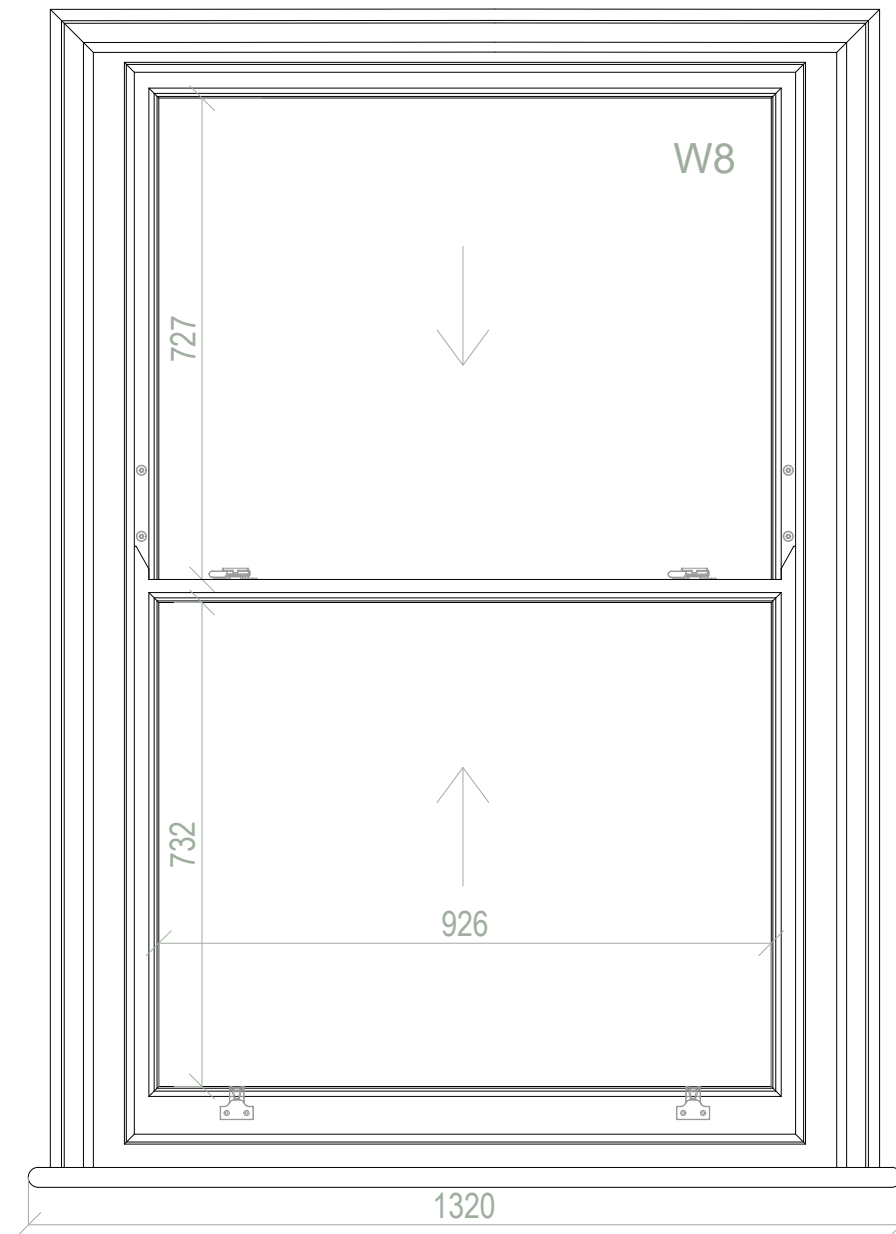
Element Sash window

Date 15/10/2019

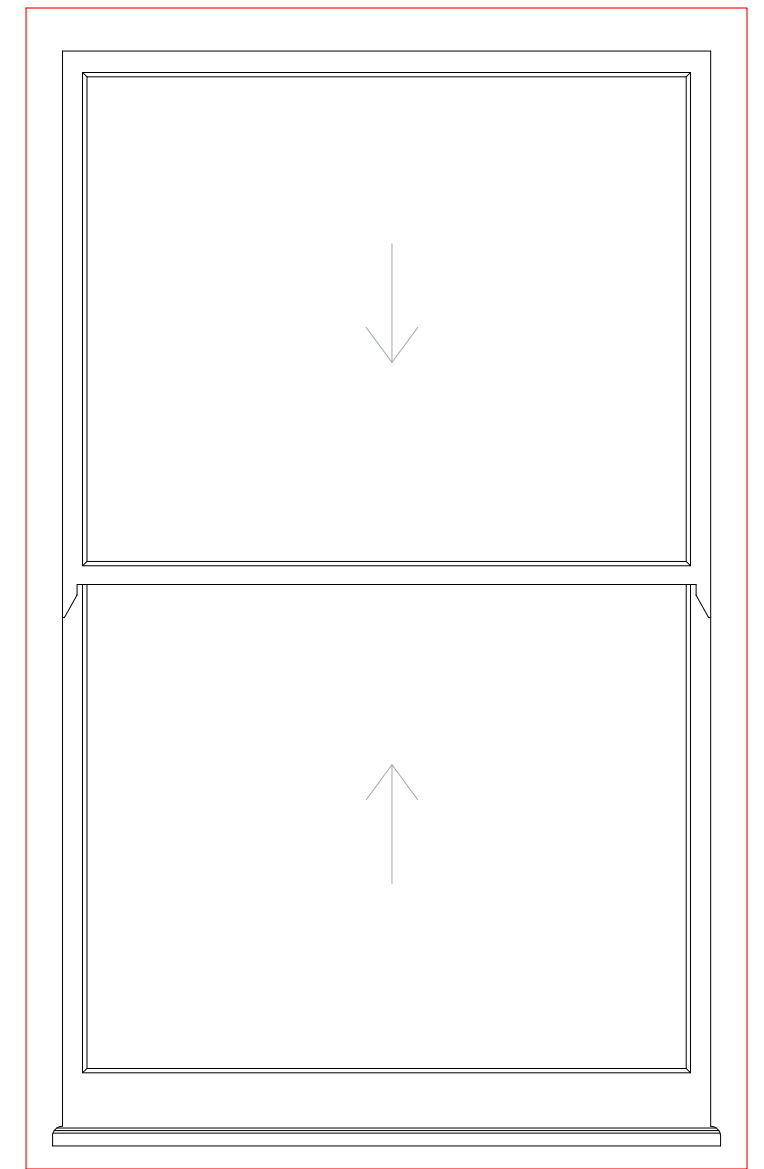
Chkd By ----



VIEW FROM THE INSIDE



VIEW FROM THE OUTSIDE



SPRING ASSISTED SASH WINDOW - M. Bedroom (front)

W8 H - 1780 mm, W - 1160 mm.

TIMBER: Softwood (hardwood sill)

GLAZING: top panel 4 - 12Ar - 4LowE;
bottom panel 4 - 12Ar - 4LowE.

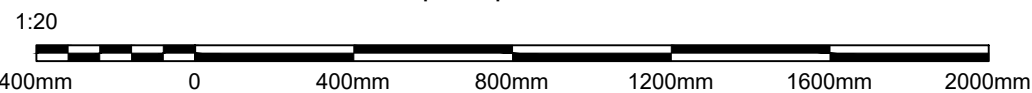
SPACER: warm edge

INSIDE PAINT: RAL 9010 satin

OUTSIDE PAINT: RAL 9010 satin

IRONMONGERY: Antique brass

ATTENTION: sash stops at positions 50 and 150mm



AYRTON
WINDOWS & DOORS

AYRTON WINDOWS & DOORS
The Showroom 406-408 Merton Road, SW18 5AD, Wandsworth
Tel-(020)-8877-8920
e-mail-enquiries@ayrtonbespoke.co.uk

ALL DIMENSIONS TO BE CHECKED ON SITE BEFORE COMMENCING WORK. NO DIMENSIONS TO BE SCALED FROM THIS DRAWING.
If this drawing or any part thereof is used for any purpose other than assessing the design and/or specification of Ayrton Bespoke Ltd without the express written permission of Ayrton Bespoke Ltd, a fee will be charged being the actual cost of production of the drawing or its value to the user, whichever is the greater.

Project 10058 - Jin Wang

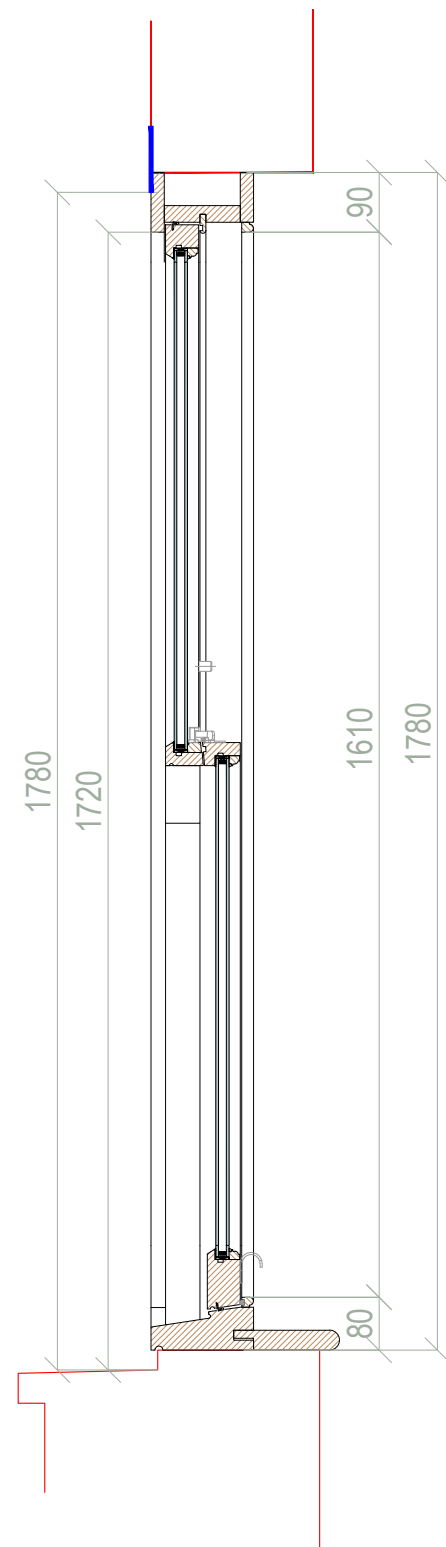
Drawn By Mindaugas Kazeva

Scale 1:10 @ A3

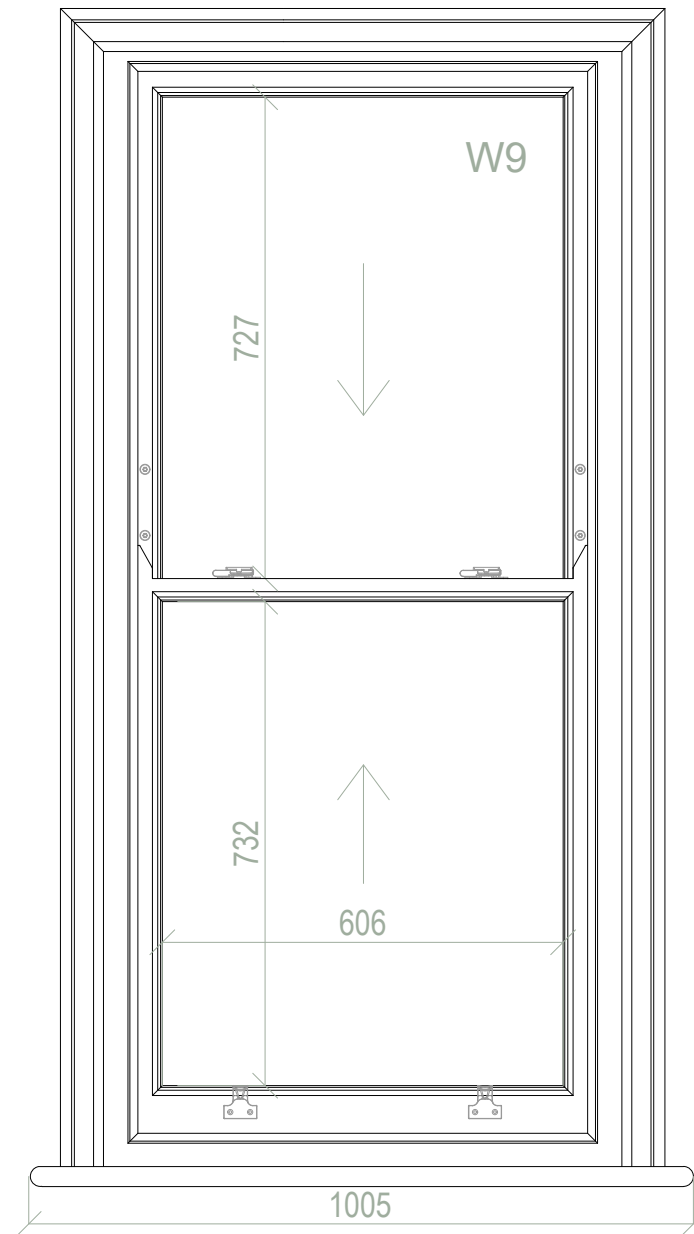
Element Sash window

Date 15/10/2019

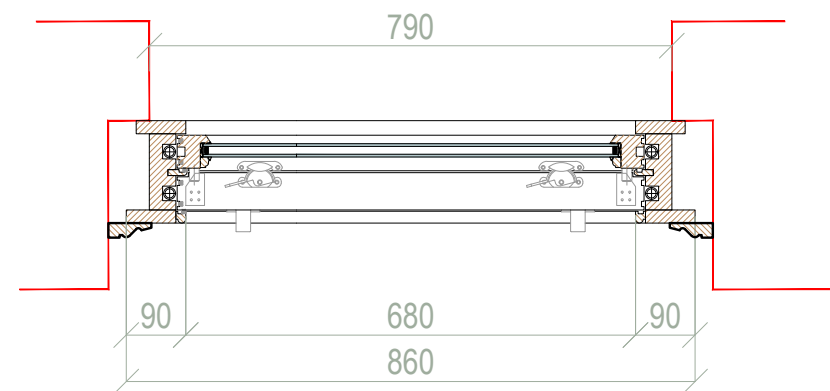
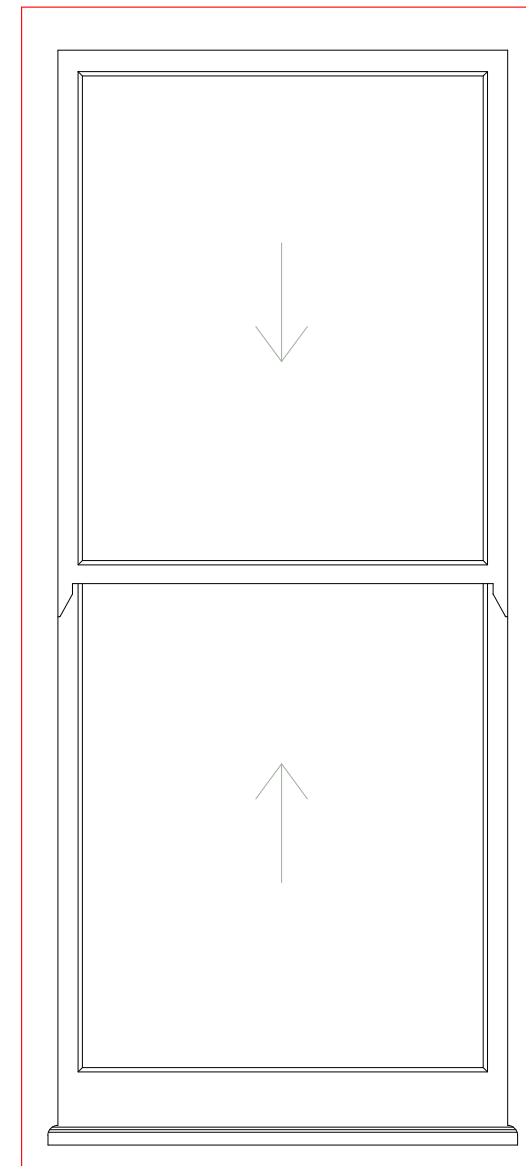
Chkd By ---



VIEW FROM THE INSIDE



VIEW FROM THE OUTSIDE



SPRING ASSISTED SASH WINDOW - M. Bedroom (front)

W9 H - 1780 mm, W - 860 mm.

TIMBER: Softwood (hardwood sill)

GLAZING: top panel 4 - 12Ar - 4LowE;
bottom panel 4 - 12Ar - 4LowE.

SPACER: warm edge

INSIDE PAINT: RAL 9010 satin

OUTSIDE PAINT: RAL 9010 satin

IRONMONGERY: Antique brass

ATTENTION: sash stops at positions 50 and 150mm



AYRTON
WINDOWS & DOORS

AYRTON WINDOWS & DOORS
The Showroom 406-408 Merton Road, SW18 5AD, Wandsworth
Tel-(020)-8877-8920
e-mail-enquiries@ayrtonbespoke.co.uk

ALL DIMENSIONS TO BE CHECKED ON SITE BEFORE COMMENCING WORK. NO DIMENSIONS TO BE SCALED FROM THIS DRAWING.
If this drawing or any part thereof is used for any purpose other than assessing the design and/or specification of Ayrton Bespoke Ltd without the express written permission of Ayrton Bespoke Ltd, a fee will be charged being the actual cost of production of the drawing or its value to the user, whichever is the greater.

Project 10058 - Jin Wang

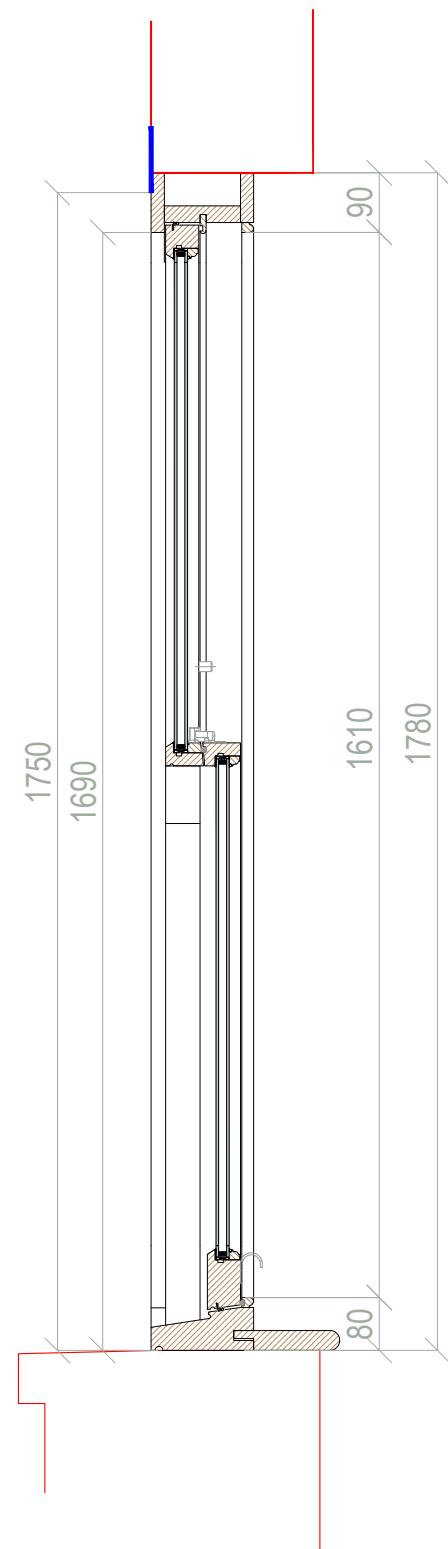
Drawn By Mindaugas Kazeva

Scale 1:10 @ A3

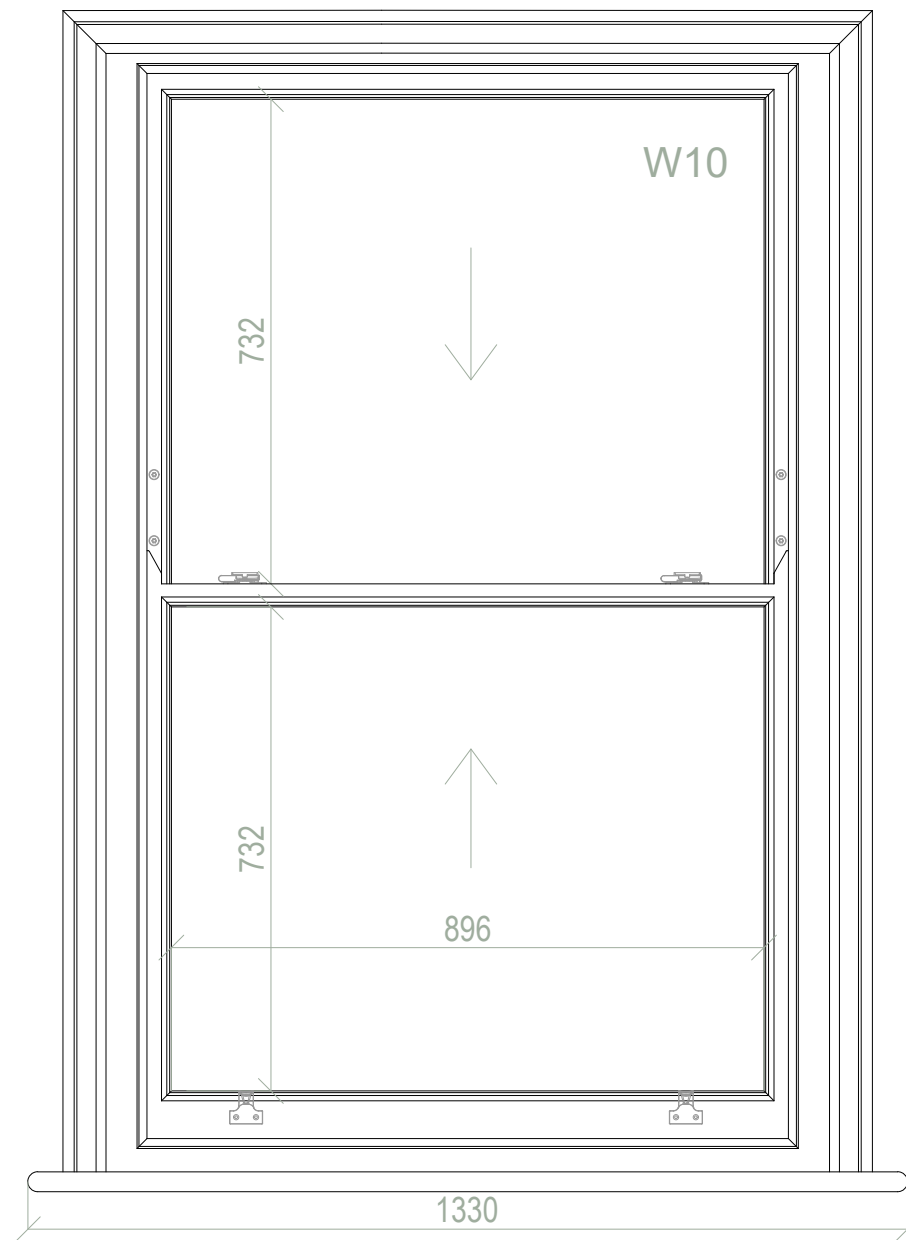
Element Sash window

Date 15/10/2019

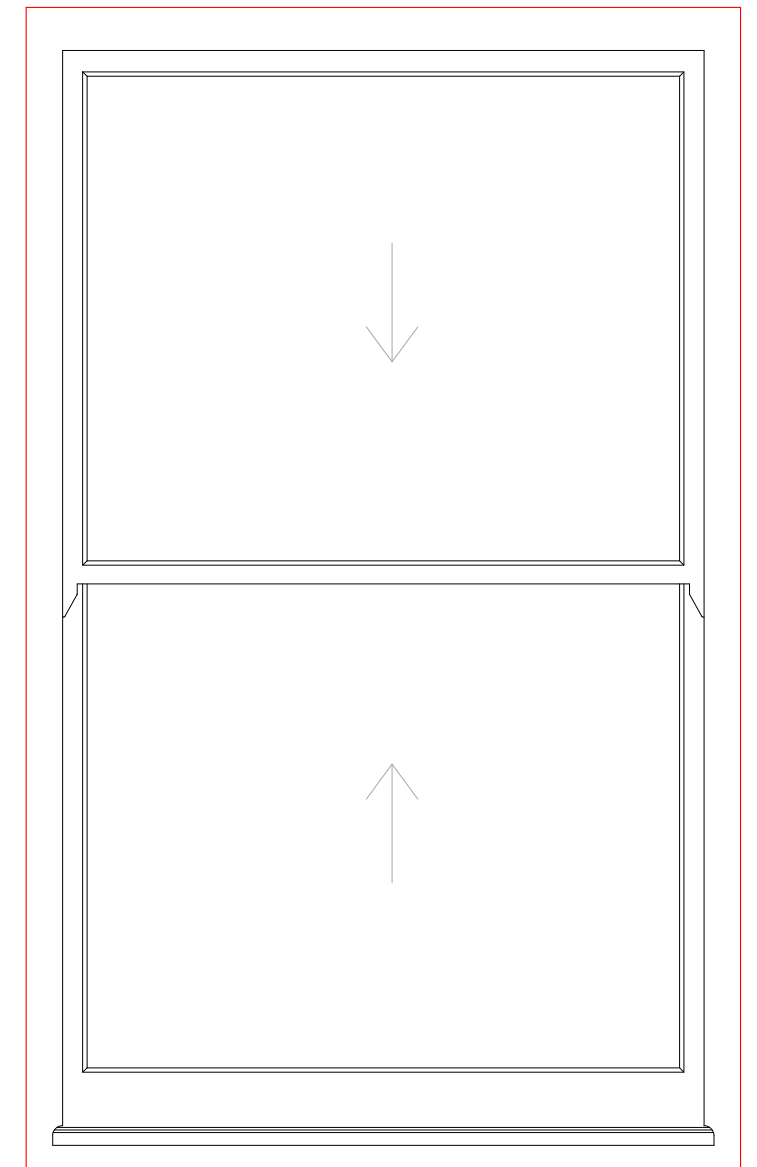
Chkd By ----



VIEW FROM THE INSIDE



VIEW FROM THE OUTSIDE



SPRING ASSISTED SASH WINDOW - Snug (front)

W10 H - 1770 mm, W - 1150 mm.

TIMBER: Softwood (hardwood sill)

GLAZING: top panel 4 - 12Ar - 4LowE;
bottom panel 4 - 12Ar - 4LowE.

SPACER: warm edge

INSIDE PAINT: RAL 9010 satin

OUTSIDE PAINT: RAL 9010 satin

IRONMONGERY: Antique brass

ATTENTION: sash stops at positions 50 and 150mm



AYRTON
WINDOWS & DOORS

AYRTON WINDOWS & DOORS
The Showroom 406-408 Merton Road, SW18 5AD, Wandsworth
Tel-(020)-8877-8920
e-mail-enquiries@ayrtonbespoke.co.uk

ALL DIMENSIONS TO BE CHECKED ON SITE BEFORE COMMENCING WORK. NO DIMENSIONS TO BE SCALED FROM THIS DRAWING.
If this drawing or any part thereof is used for any purpose other than assessing the design and/or specification of Ayrton Bespoke Ltd without the express written permission of Ayrton Bespoke Ltd, a fee will be charged being the actual cost of production of the drawing or its value to the user, whichever is the greater.

Project 10058 - Jin Wang

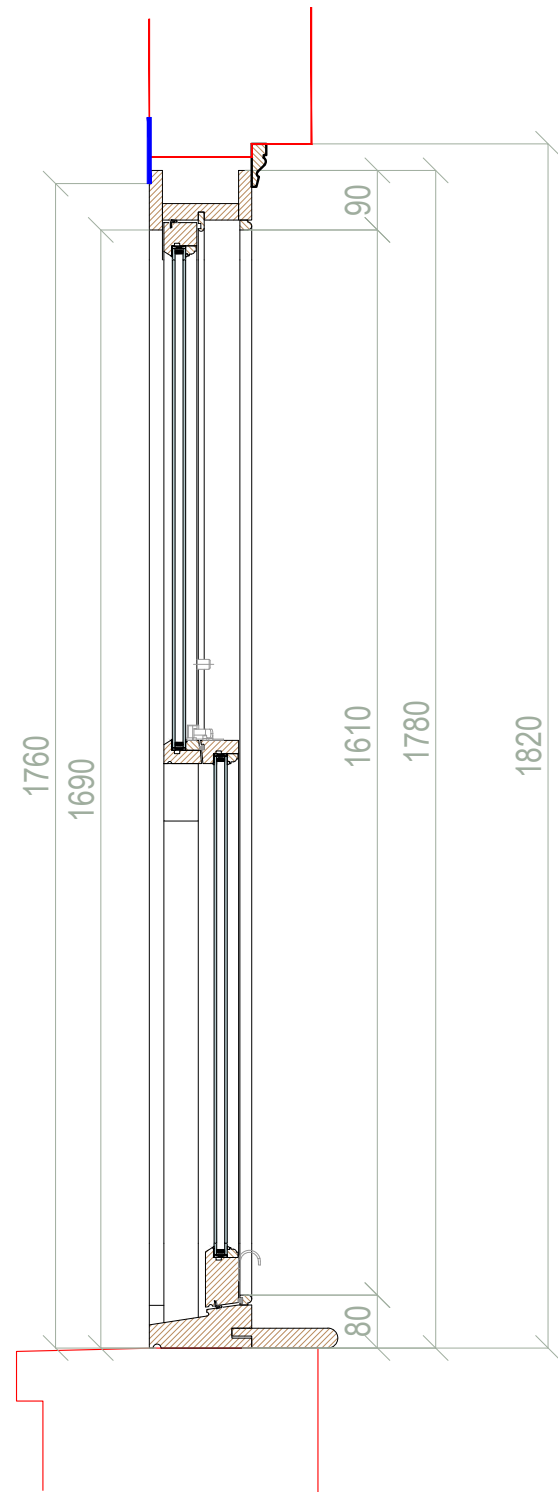
Drawn By Mindaugas Kazeva

Scale 1:10 @ A3

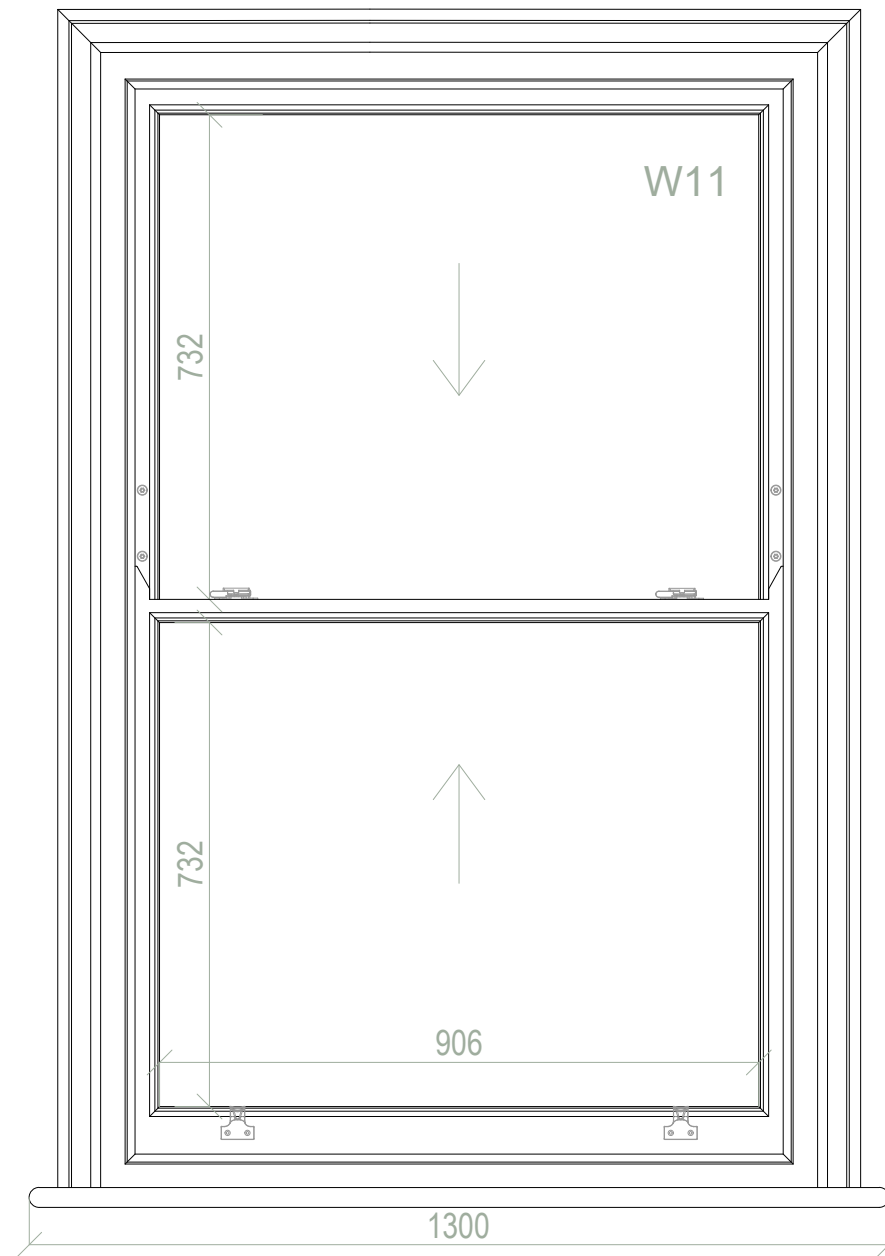
Element French Door

Date 15/10/2019

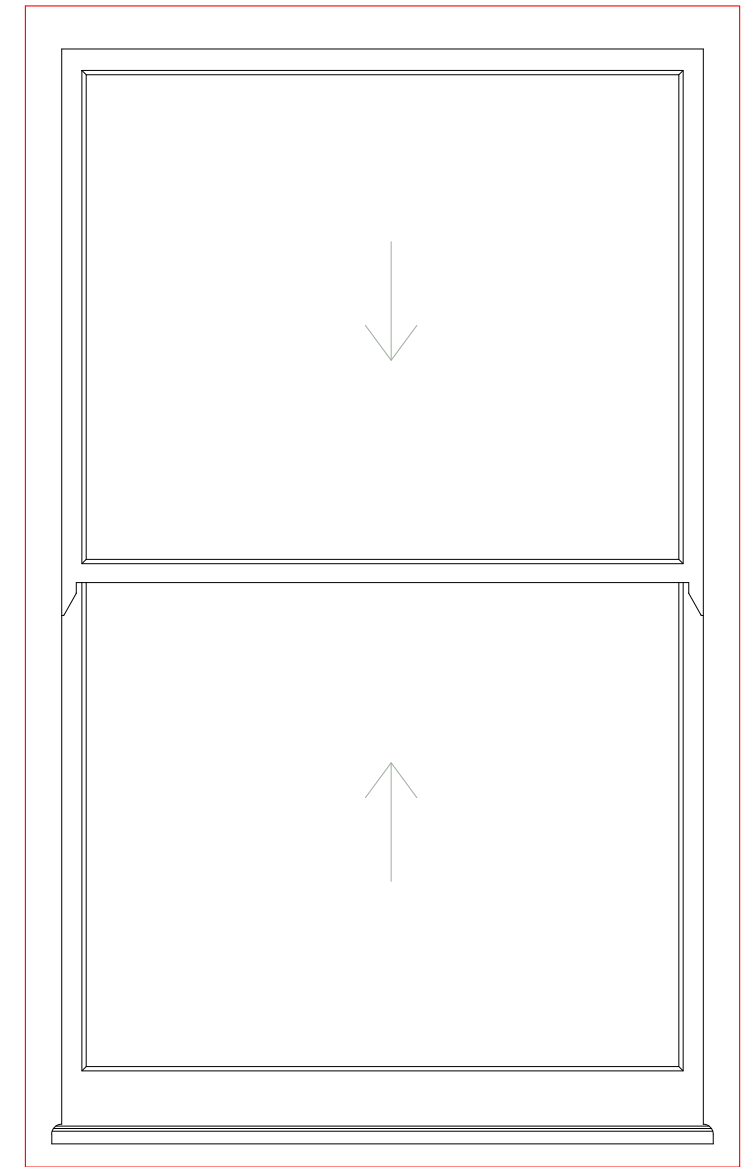
Chkd By ----



VIEW FROM THE INSIDE



VIEW FROM THE OUTSIDE



SPRING ASSISTED SASH WINDOW - Spare Bedroom Left (front)

W11 H - 1780 mm, W - 1160 mm.

TIMBER: Softwood (hardwood sill)

GLAZING: top panel 4 - 12Ar - 4LowE;
bottom panel 4 - 12Ar - 4LowE.

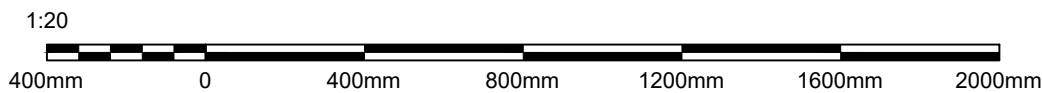
SPACER: warm edge

INSIDE PAINT: RAL 9010 satin

OUTSIDE PAINT: RAL 9010 satin

IRONMONGERY: Antique brass

ATTENTION: sash stops at positions 50 and 150mm



AYRTON
WINDOWS & DOORS

AYRTON WINDOWS & DOORS
The Showroom 406-408 Merton Road, SW18 5AD, Wandsworth
Tel-(020)-8877-8920
e-mail-enquiries@ayrtonbespoke.co.uk

ALL DIMENSIONS TO BE CHECKED ON SITE BEFORE COMMENCING WORK. NO DIMENSIONS TO BE SCALED FROM THIS DRAWING.
If this drawing or any part thereof is used for any purpose other than assessing the design and/or specification of Ayrton Bespoke Ltd without the express written permission of Ayrton Bespoke Ltd, a fee will be charged being the actual cost of production of the drawing or its value to the user, whichever is the greater.

Project 10058 - Jin Wang

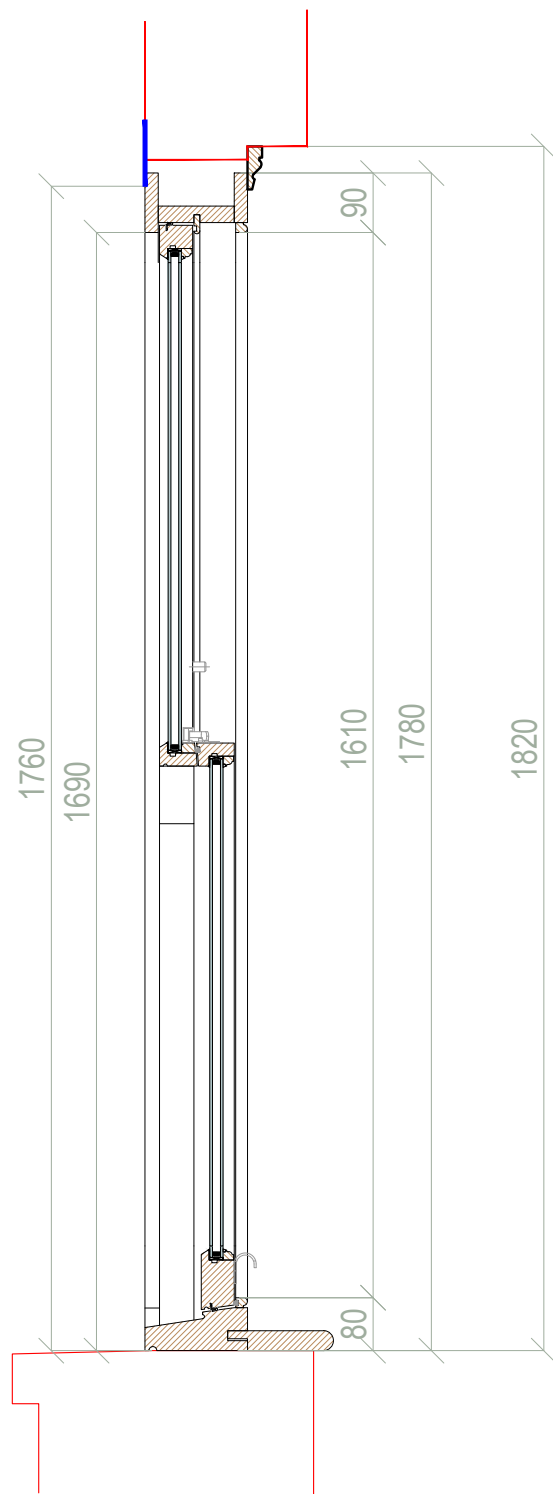
Drawn By Mindaugas Kazeva

Scale 1:10 @ A3

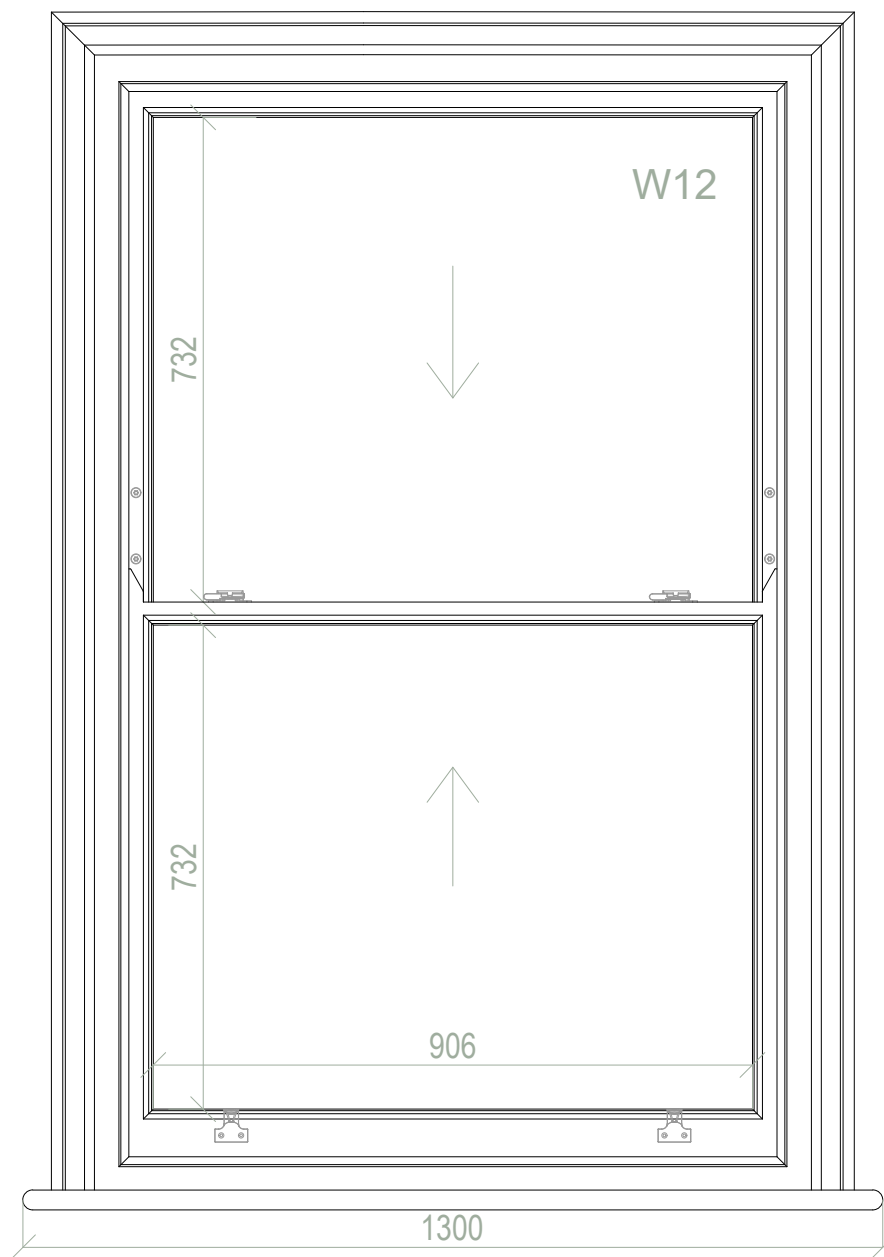
Element Sash window

Date 15/10/2019

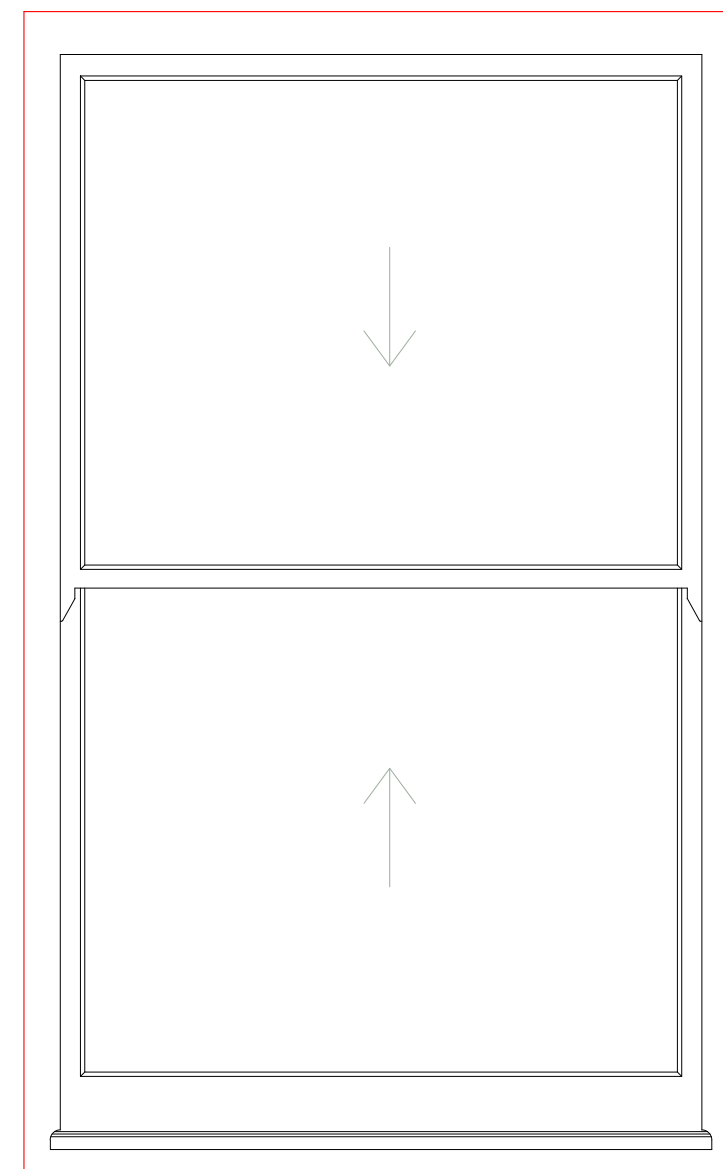
Chkd By ---



VIEW FROM THE INSIDE



VIEW FROM THE OUTSIDE



SPRING ASSISTED SASH WINDOW - Spare Bedroom Right (front)

W12 H - 1780 mm, W - 1160 mm.

TIMBER: Softwood (hardwood sill)

GLAZING: top panel 4 - 12Ar - 4LowE;
bottom panel 4 - 12Ar - 4LowE.

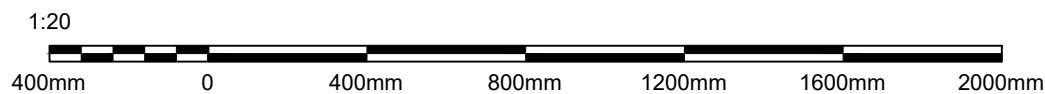
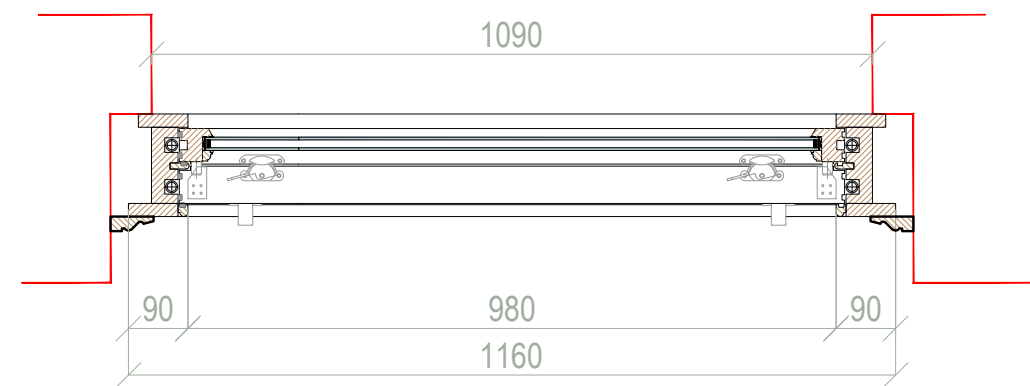
SPACER: warm edge

INSIDE PAINT: RAL 9010 satin

OUTSIDE PAINT: RAL 9010 satin

IRONMONGERY: Antique brass

ATTENTION: sash stops at positions 50 and 150mm



AYRTON
WINDOWS & DOORS

AYRTON WINDOWS & DOORS
The Showroom 406-408 Merton Road, SW18 5AD, Wandsworth
Tel-(020)-8877-8920
e-mail-enquiries@ayrtonbespoke.co.uk

ALL DIMENSIONS TO BE CHECKED ON SITE BEFORE COMMENCING WORK. NO DIMENSIONS TO BE SCALED FROM THIS DRAWING.
If this drawing or any part thereof is used for any purpose other than assessing the design and/or specification of Ayrton Bespoke Ltd without the express written permission of Ayrton Bespoke Ltd, a fee will be charged being the actual cost of production of the drawing or its value to the user, whichever is the greater.

Project 10058 - Jin Wang

Drawn By Mindaugas Kazeva

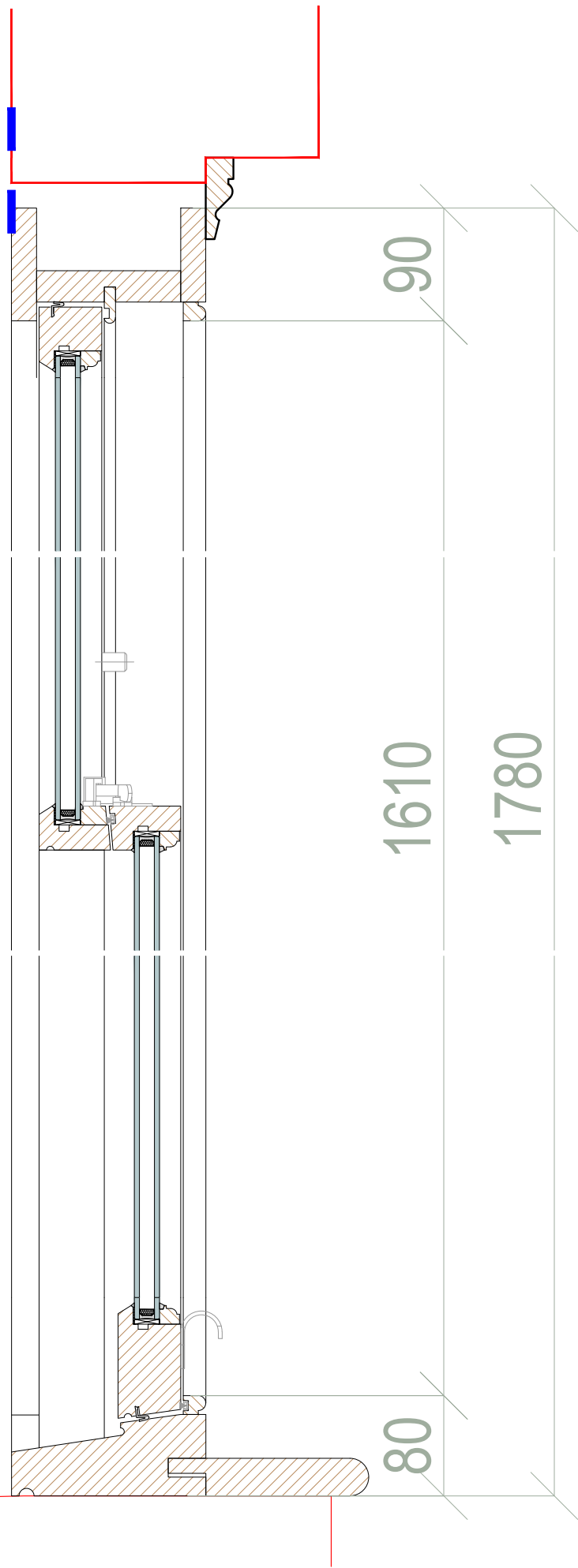
Scale 1:10 @ A3

Element Sash window

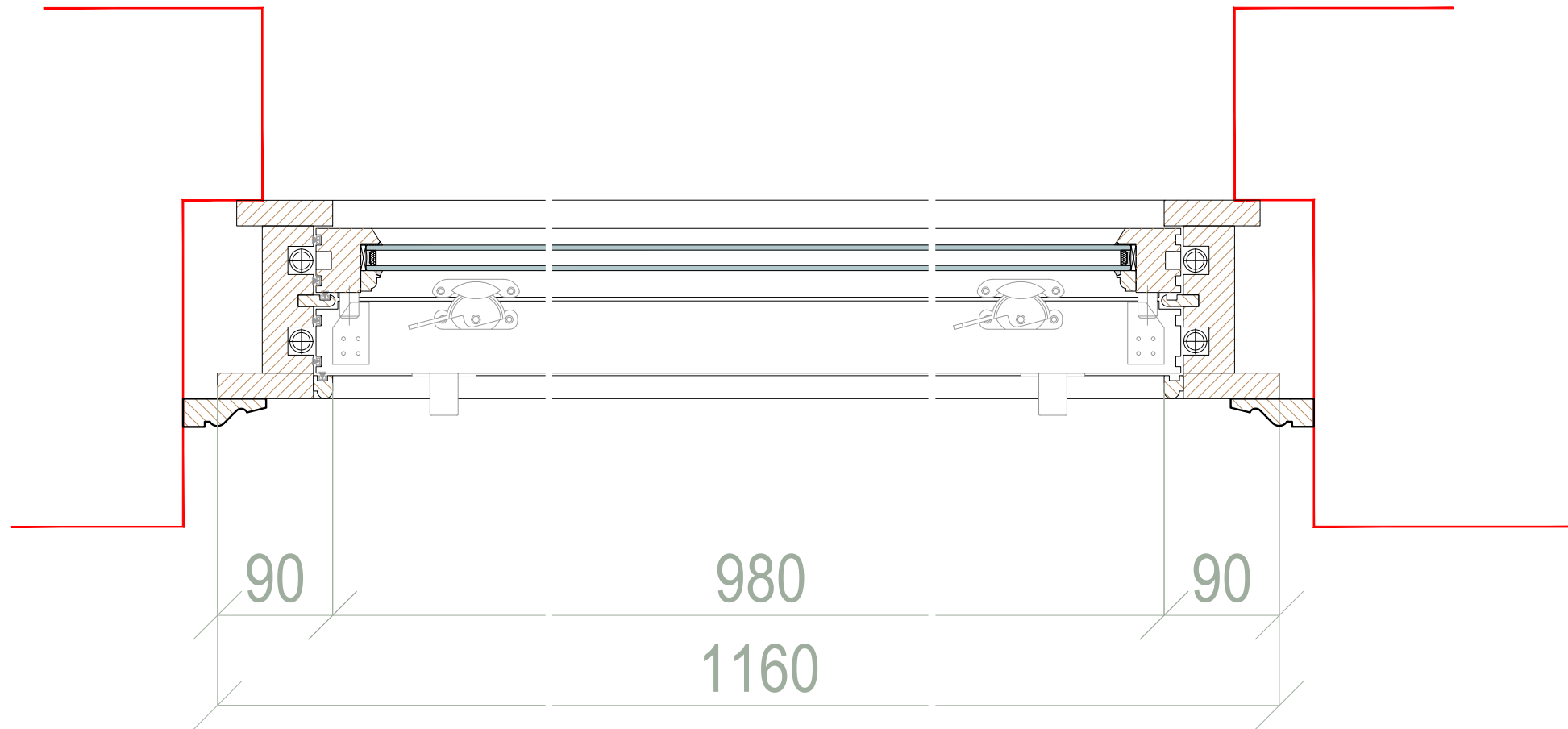
Date 15/10/2019

Chkd By ----

VERTICAL SECTION



HORIZONTAL SECTION



AYRTON
WINDOWS & DOORS

AYRTON WINDOWS & DOORS
The Showroom 406-408 Merton Road, SW18 5AD, Wandsworth
Tel-(020)-8877-8920
e-mail-enquiries@ayrtonbespoke.co.uk

ALL DIMENSIONS TO BE CHECKED ON SITE BEFORE COMMENCING WORK. NO DIMENSIONS TO BE SCALED FROM THIS DRAWING.
If this drawing or any part thereof is used for any purpose other than assessing the design and/or specification of Ayrton Bespoke Ltd without the express written permission of Ayrton Bespoke Ltd, a fee will be charged being the actual cost of production of the drawing or its value to the user, whichever is the greater.

Project 10058 - Jin Wang

Drawn By Mindaugas Kazeva

Scale 1:5 @ A3

Element Sash window

Date 15/10/2019

Chkd By ----