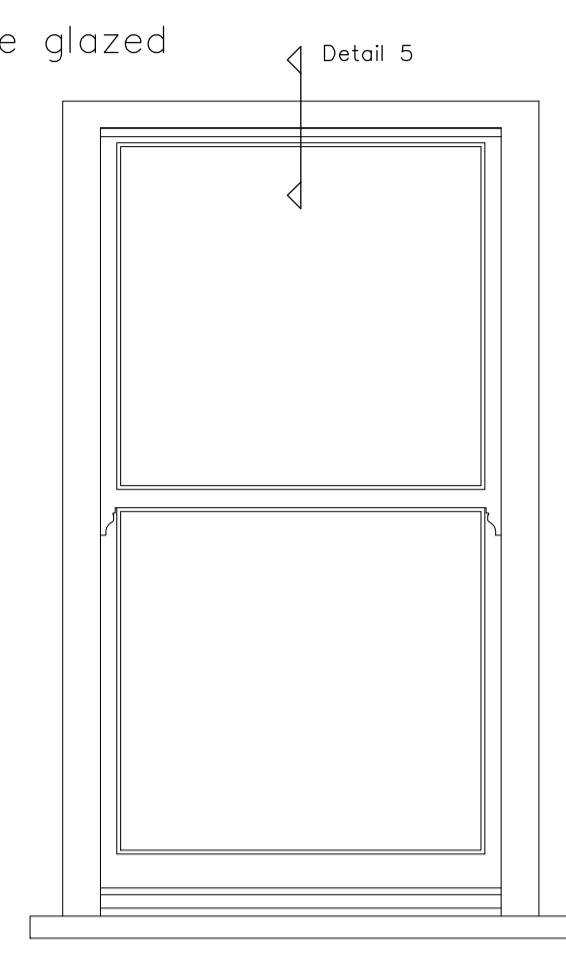


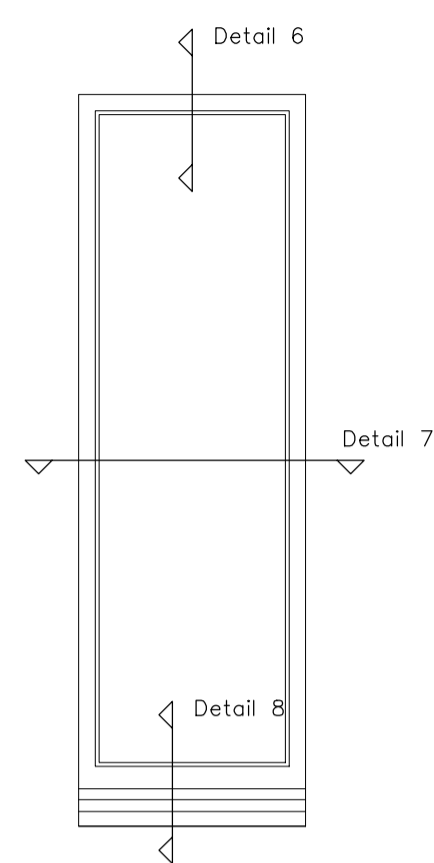
New Typical Timber Sash Window - 1:20

New timber sliding sash window to match existing (incl ironmongery and sash cords, etc) and painted white.



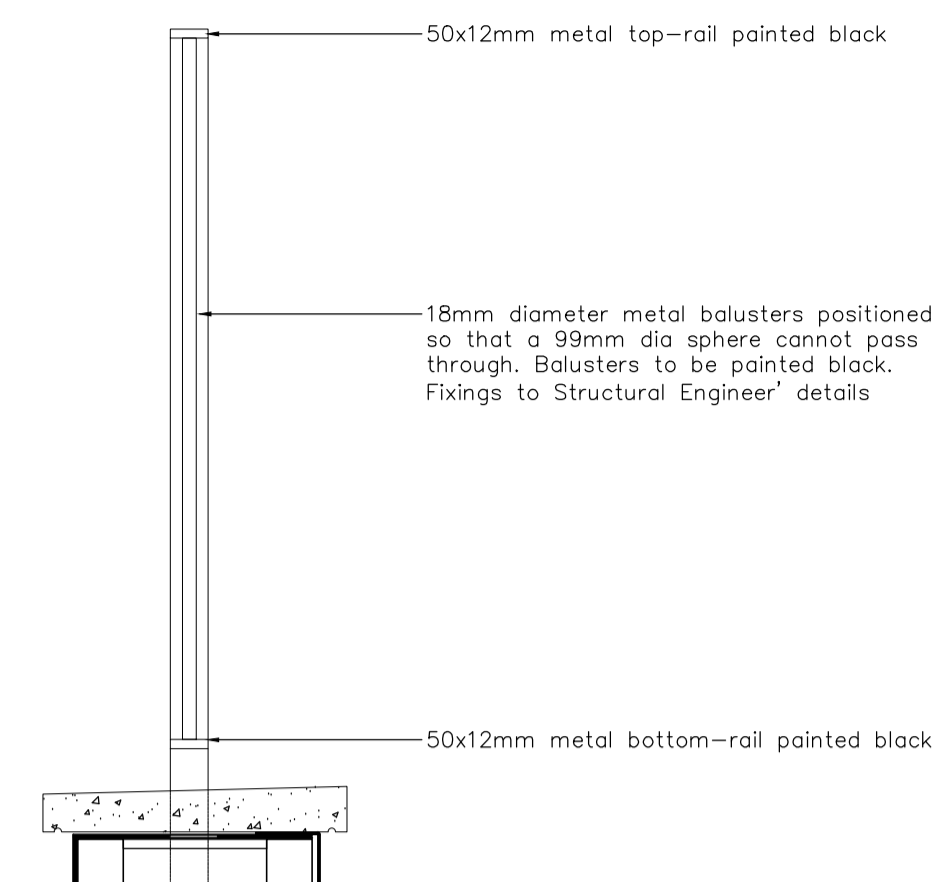
Existing Typical Timber Sash Window - 1:20

Overhaul windows including replacing ironmongery (sash fastener, pull handles, etc) and replace sash cord if necessary

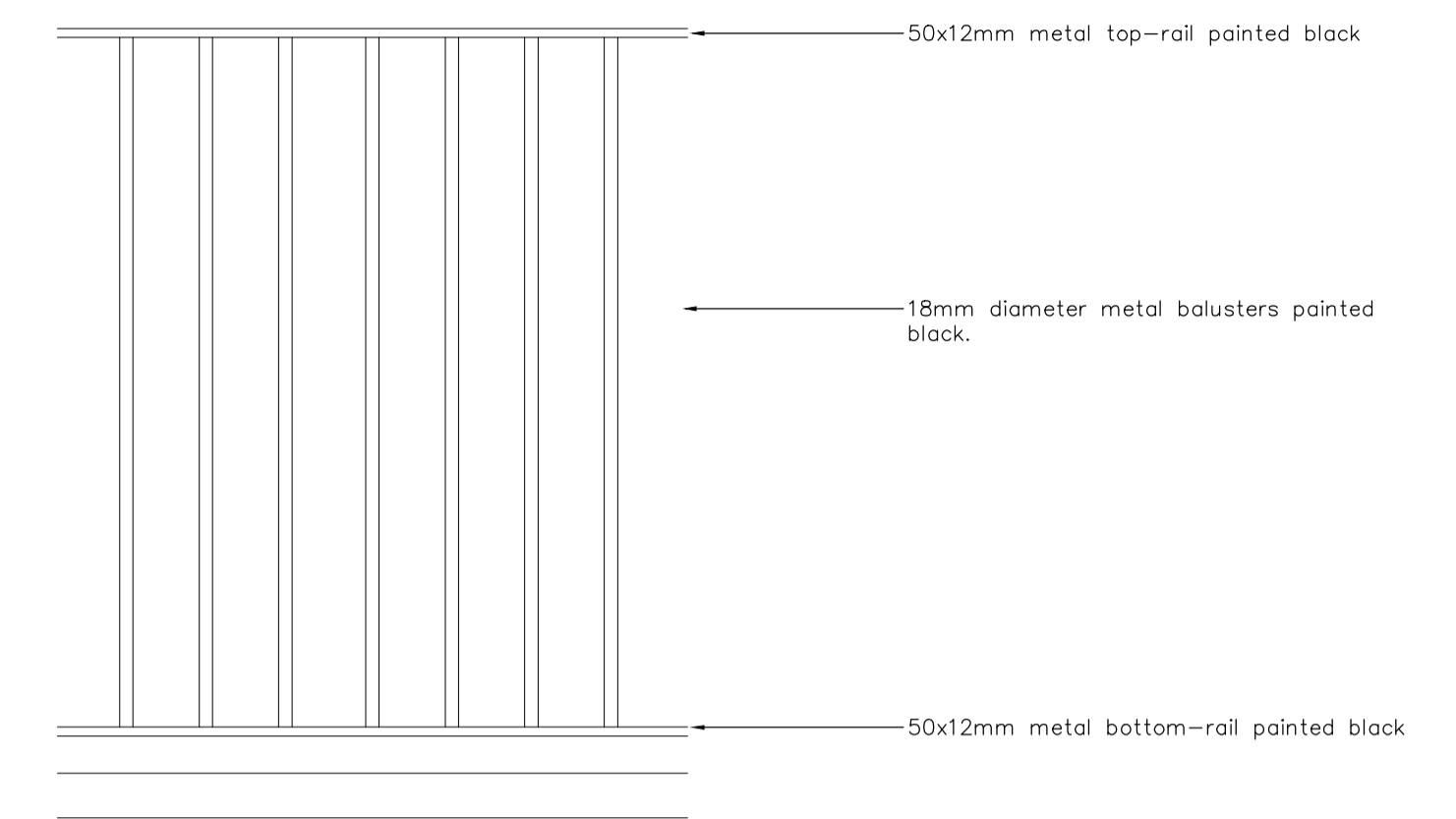


New Typical Aluminium Framed Window - 1:20

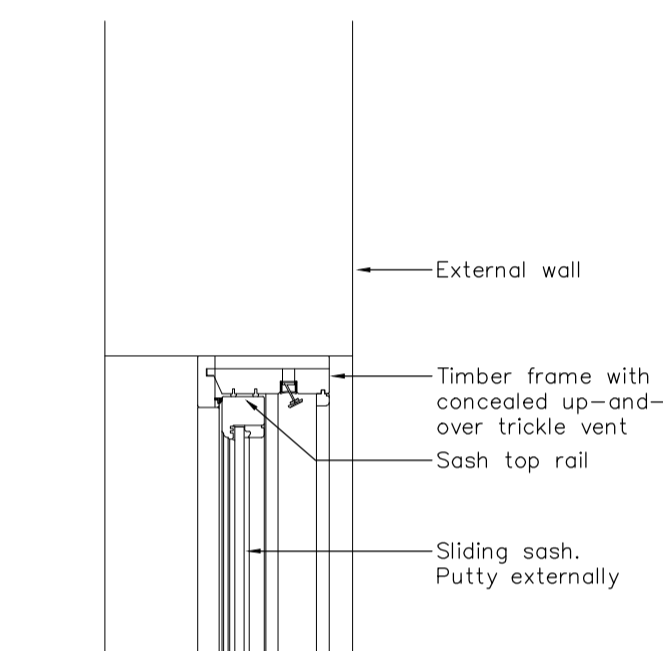
New fixed single-glazed aluminium framed window



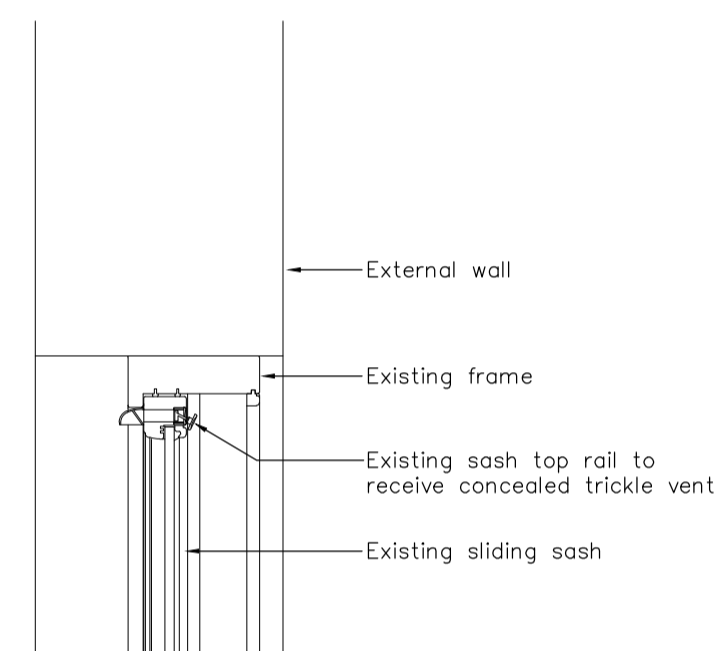
Typical Metal Balustrade Detail - 1:10
Refer to drawing 1342-92 for location



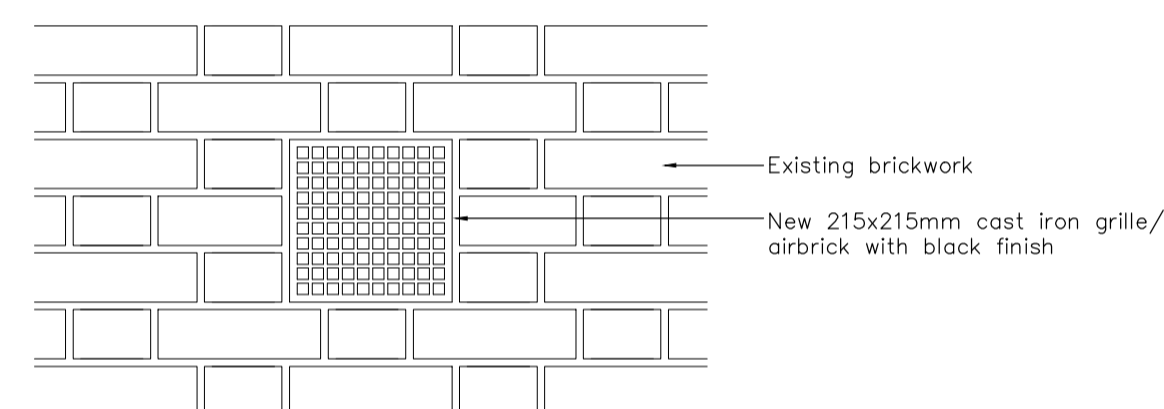
Typical Metal Balustrade Elevation - 1:10
Refer to drawing 1342-92 for location



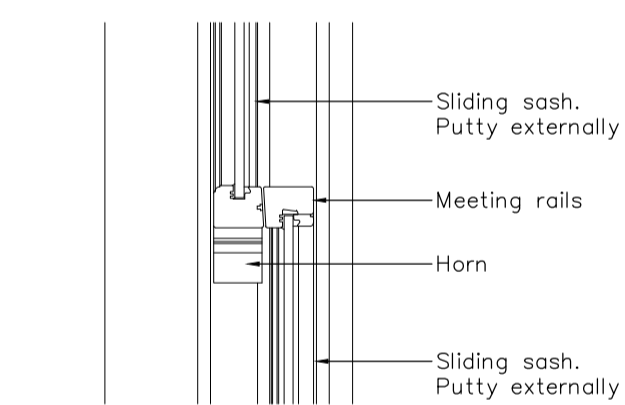
Detail 1 - 1:10



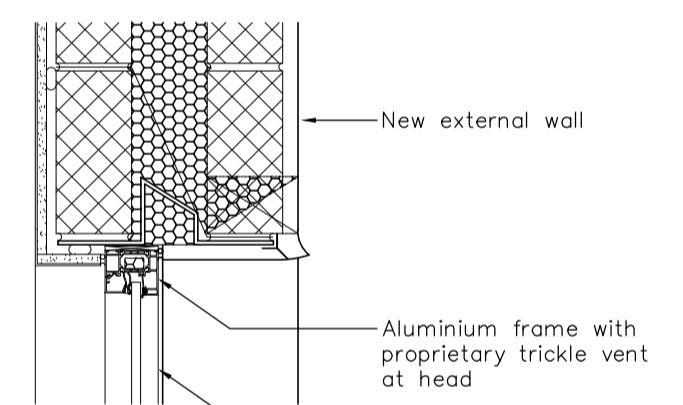
Detail 5 - 1:10



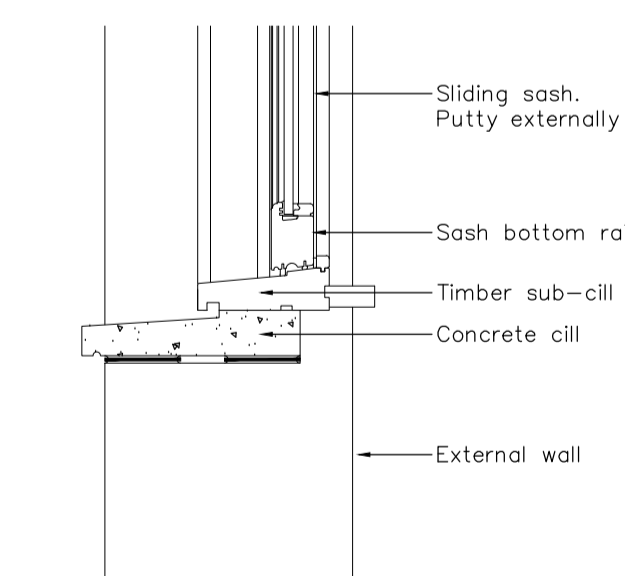
Ventilation Grilles to Elevations - 1:10



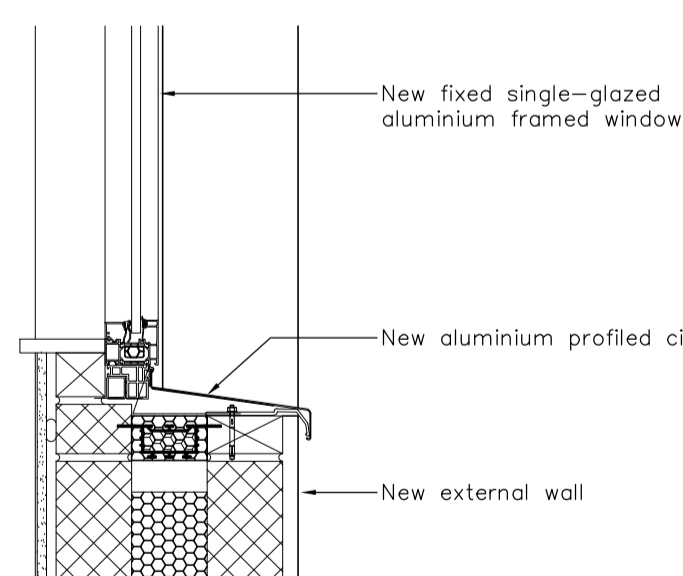
Detail 2 - 1:10



Detail 6 - 1:10

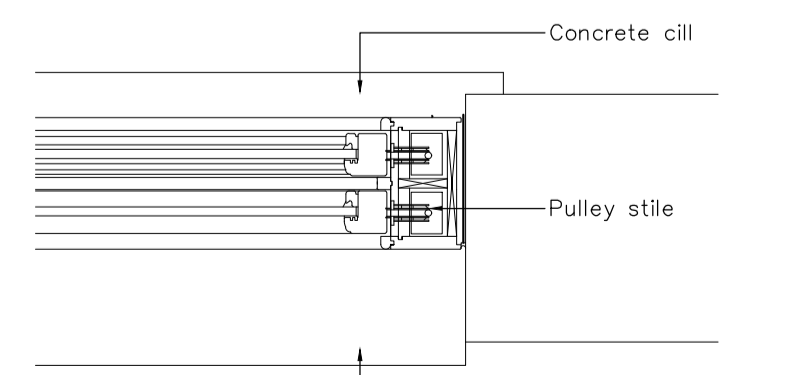


Detail 3 - 1:10

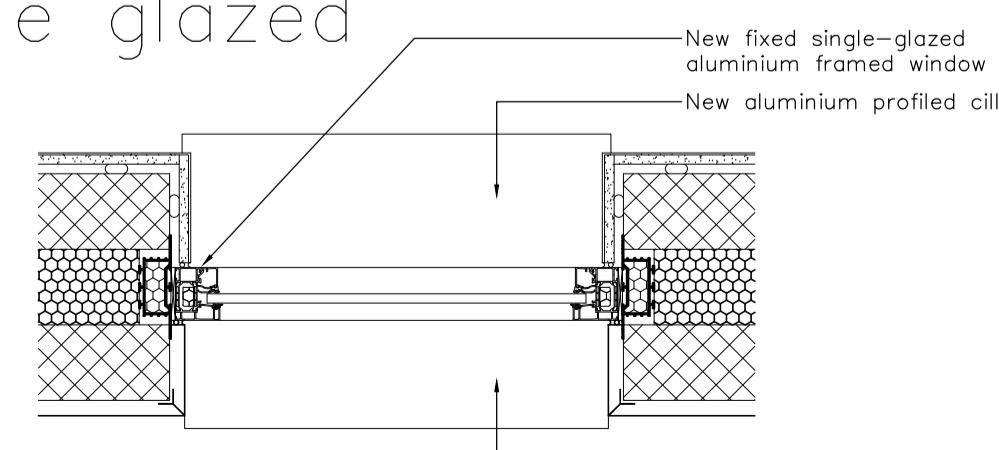


Detail 7 - 1:10

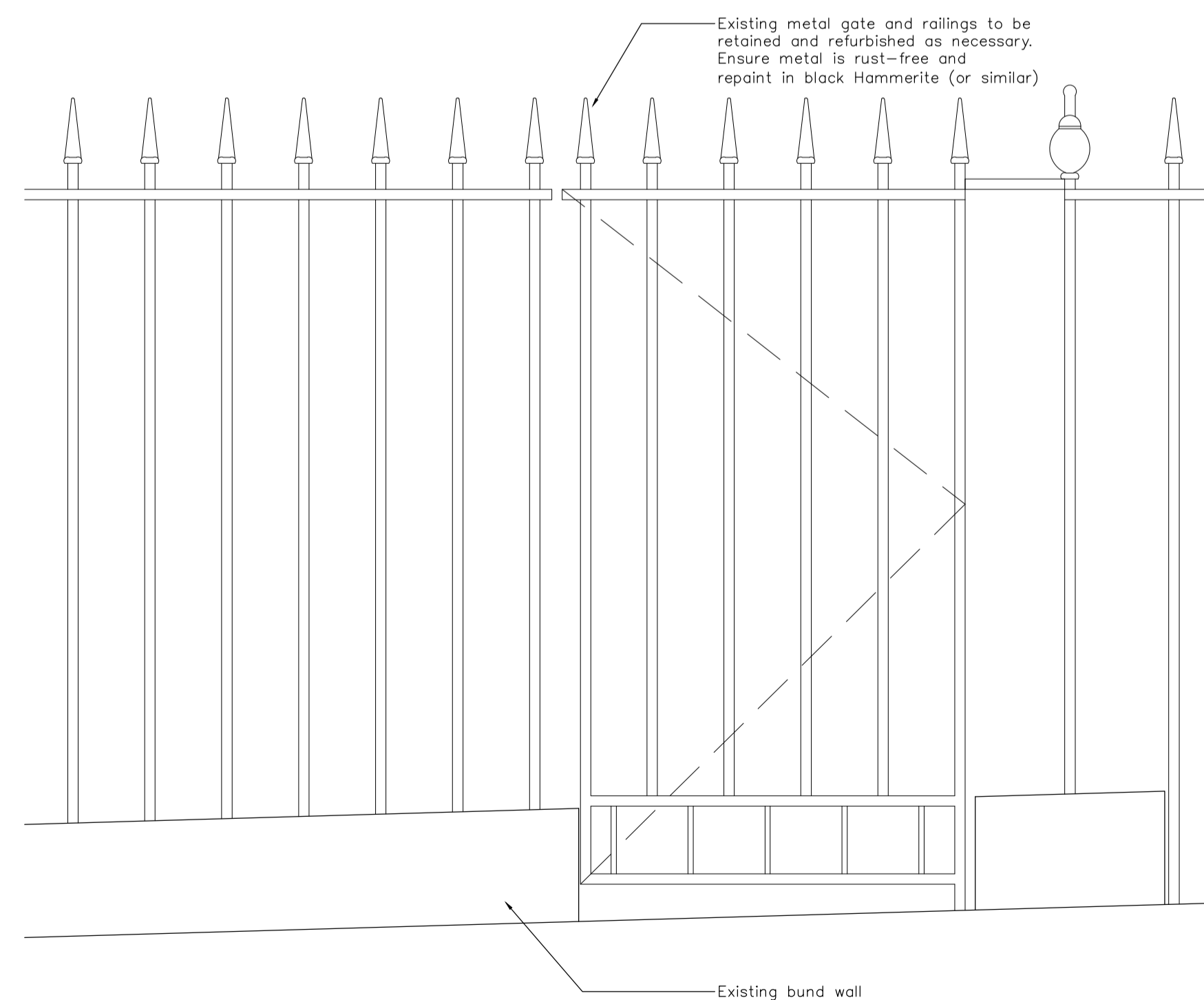
all glass to be single glazed




Detail 4 - 1:10



Detail 8 - 1:10



Existing Front Elevation Railings and Gate - 1:10

PROJECT: 19 John Street London WC1N 2DL		 BRELEY DESIGN LTD Breley Design Ltd, Harrier House Aviation Way, Southend on Sea Essex S32 6UN, England Telephone: +44 (0)1702 541300 Facsimile: +44 (0)1702 541323 Email: info@breleydesign.com
TITLE: Window and External Details		
SCALE: as shown @ A1	DATE: Apr 19	
Drawing No. 1342-91	REV. A	

Copyright of this drawing shall remain the property of Breley Design Limited. It may not be used in whole or part by any other parties for any other purpose without prior consent. All dimensions to be checked on site and any discrepancies reported to Breley Design Limited before work commences.