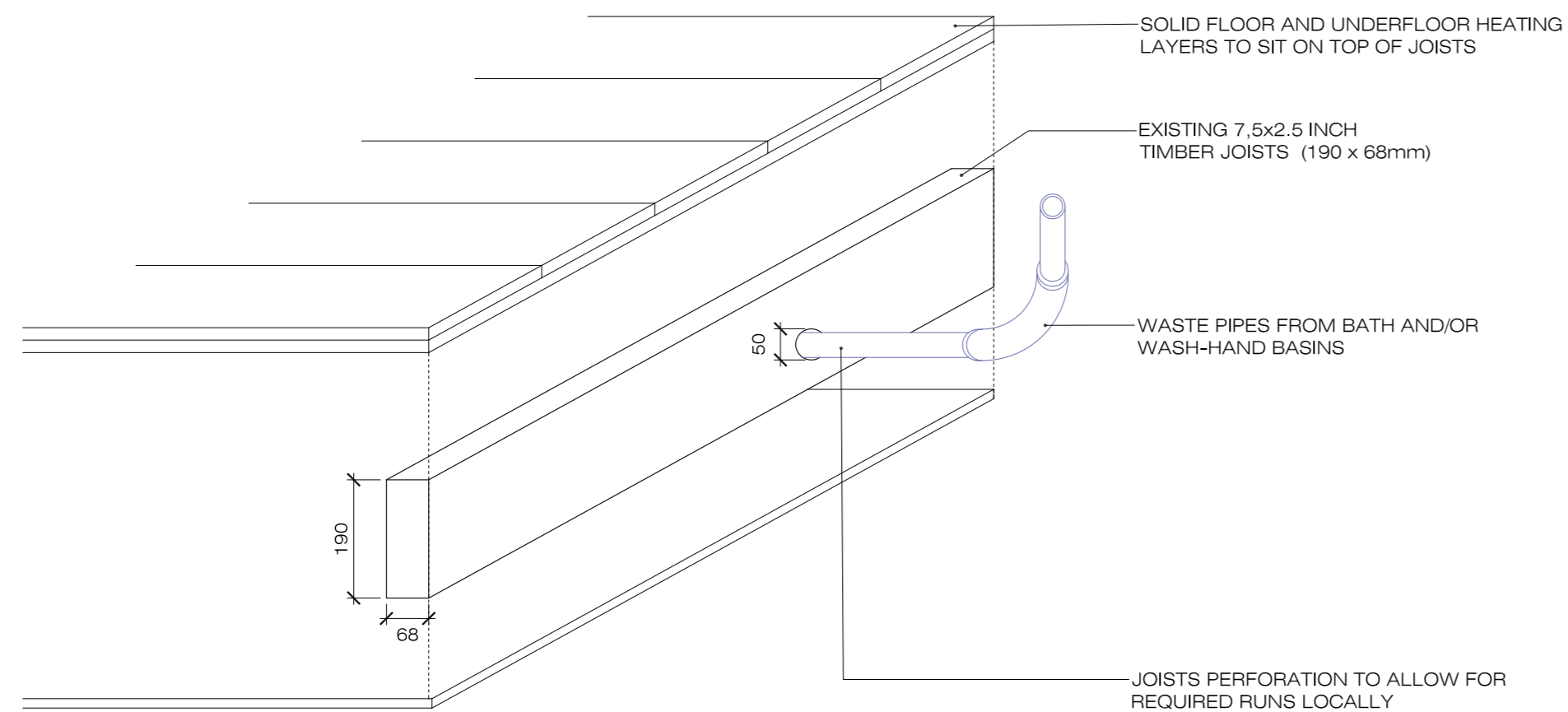


NOTES

Moxon Architects Limited

This drawing is copyright. All rights reserved.  
Do not scale from this drawing. work from figured dimensions only.



01 DRAINAGE & PLUMBING INTERFACE WITH JOIST  
SCALE 1:10@ A3

P2 NOTCHING OPTION TO UNDERSIDE OF JOISTS OMITTED 20.06.19

moxon

LONDON  
Great Western Studios, 65 Alfred Road, London W2 5EU  
t: 0207 034 0088 | f: 0207 034 0099

SCOTLAND  
Ardoch, Crathie, Aberdeenshire AB35 5UN  
t: 01339742047  
mail@moxonarchitects.com | www.moxonarchitects.com

PROJECT TITLE	9 ST-MARTIN'S ALMSHOUSES						
DRAWING TITLE	LOCAL NOTCHING FOR SERVICES' RUN						
DWG STATUS	INFORMATION						
DRAWN	CF	FILE	599	DATE	16.05.2019	REVISION	P2
CHECKED	TJM	JOB NO	599	SCALE	1:10	DWG NO	599_555