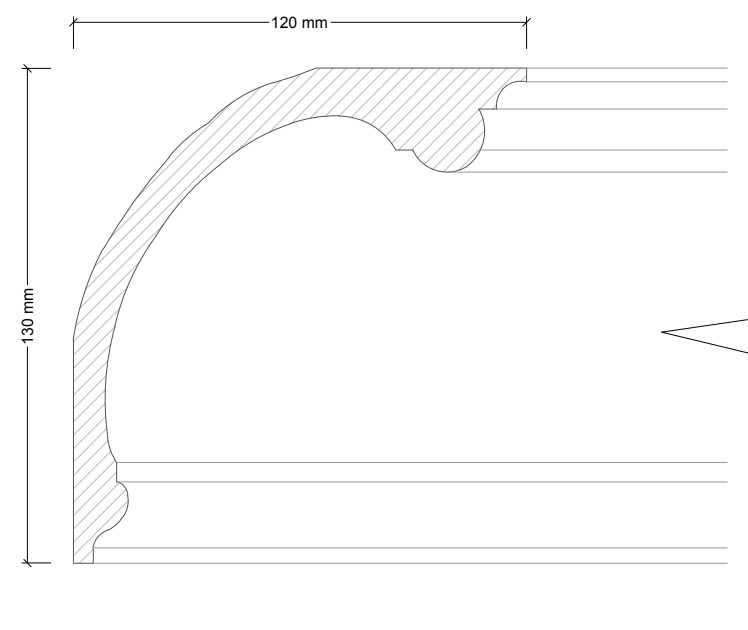


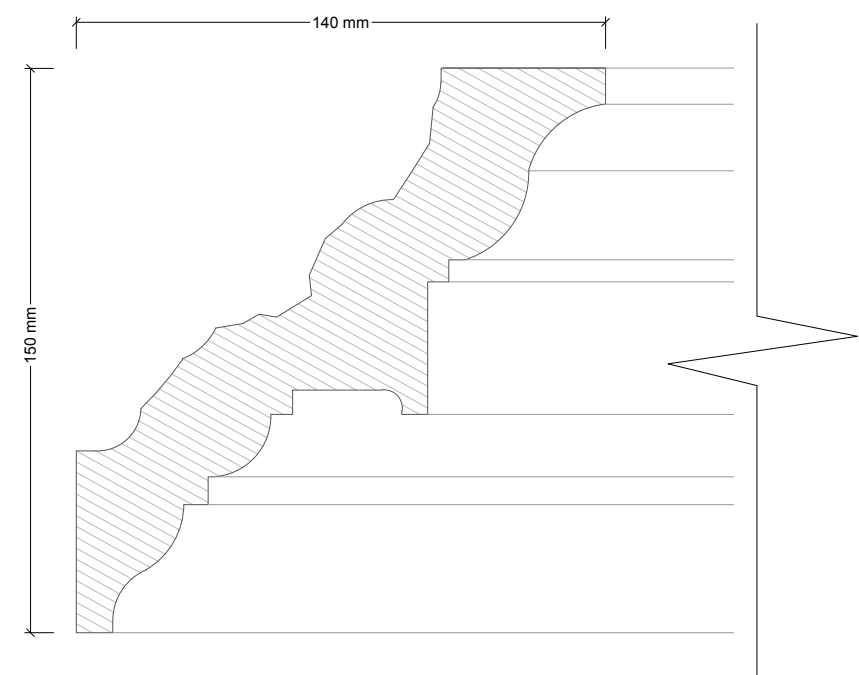
DO NOT SCALE FROM THIS DRAWING  
 DRAWING TO BE READ IN CONJUNCTION WITH ALL OTHER ARCHITECTS  
 AND ENGINEERS CONTRACT DRAWING & SPECIFICATIONS.  
 ANY DISCREPANCIES MUST BE BROUGHT TO THE ATTENTION OF THE  
 ARCHITECT IMMEDIATELY.  
 THE CONTRACTOR MUST VERIFY ALL DIMENSIONS BY SITE  
 MEASUREMENT BEFORE ORDERING MATERIALS OR MANUFACTURING  
 COMPONENTS.  
 SUBSTITUTE MATERIALS & PRODUCTS TO THOSE NAMED WILL BE  
 ACCEPTABLE IF PROVEN TO BE OF EQUAL OR HIGHER PERFORMANCE  
 AND NOT IN CONFLICT WITH OTHER ELEMENTS.

NOTES

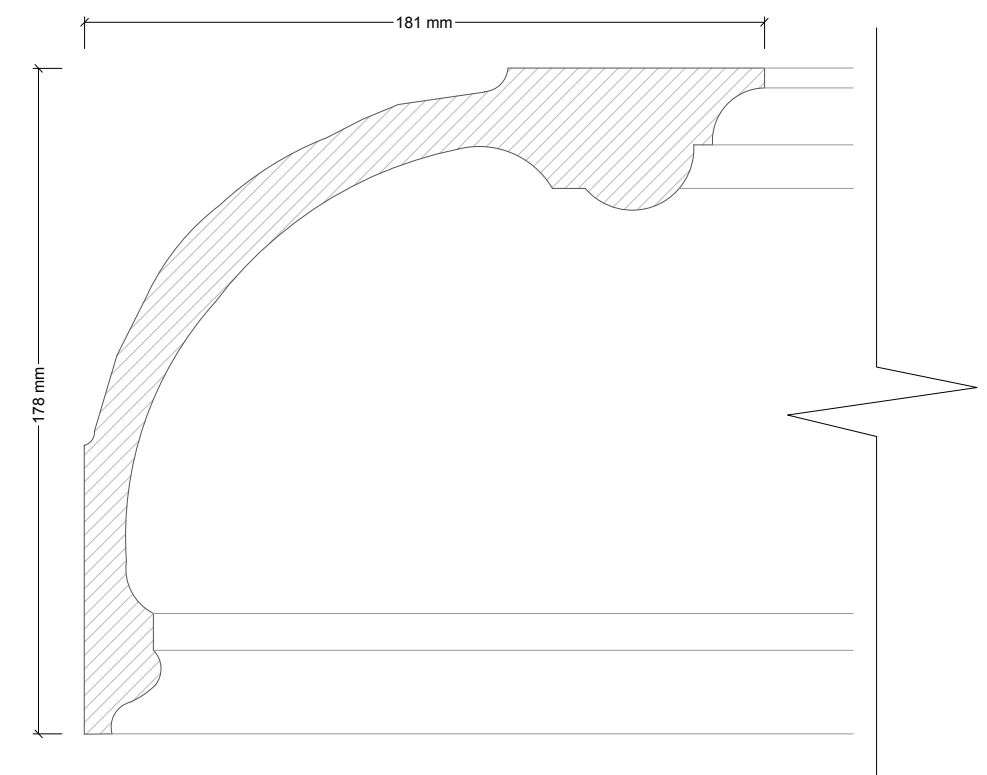
DETAIL	LOCATION
CR - 04	09-04 LGF Office
	09-05 LGF Ensuite
	12-02 2F Guest Bath 2
	12-03 2F Guest Bed 2
CR - 05	09-03 LGF Dining
CR - 06	11-03 1F Bedroom
	11-02 1F Dressing



01 PROPOSED CORNICE - CR-04  
 1:2@A3.1:1@A1



02 PROPOSED CORNICE - CR-05  
 1:2@A3.1:1@A1



03 PROPOSED CORNICE - CR-06  
 1:2@A3.1:1@A1

REV. DATE DESCRIPTION

FOR PLANNING

JOB TITLE  
**Keats Grove**  
 Hampstead

DRAWING TITLE  
 Architectural Details - Cornice  
 Proposed

JOB No: 546  
 DWG No: A104  
 REV: -

DRAWN BY: RFB  
 SCALE (AT A1): 1:1  
 DATE: May17

**RICHARD GRIFFITHS ARCHITECTS**  
 5 Maidstone Mews, 72-76 Borough High Street, London SE1 1GN  
 T +44(0)20 7357 8788 | F +44(0)20 7403 7887  
 E admin@rgarchitects.com | www.rgarchitects.com