

DO NOT SCALE FROM THIS DRAWING  
 DRAWING TO BE READ IN CONJUNCTION WITH ALL OTHER ARCHITECTS  
 AND ENGINEERS CONTRACT DRAWING & SPECIFICATIONS.  
 ANY DISCREPANCIES MUST BE BROUGHT TO THE ATTENTION OF THE  
 ARCHITECT IMMEDIATELY.  
 THE CONTRACTOR MUST VERIFY ALL DIMENSIONS BY SITE  
 MEASUREMENT BEFORE ORDERING MATERIALS OR MANUFACTURING  
 COMPONENTS.  
 SUBSTITUTE MATERIALS & PRODUCTS TO THOSE NAMED WILL BE  
 ACCEPTABLE IF PROVEN TO BE OF EQUAL OR HIGHER PERFORMANCE  
 AND NOT IN CONFLICT WITH OTHER ELEMENTS.

NOTES

DOORS	
2G	DGF-13

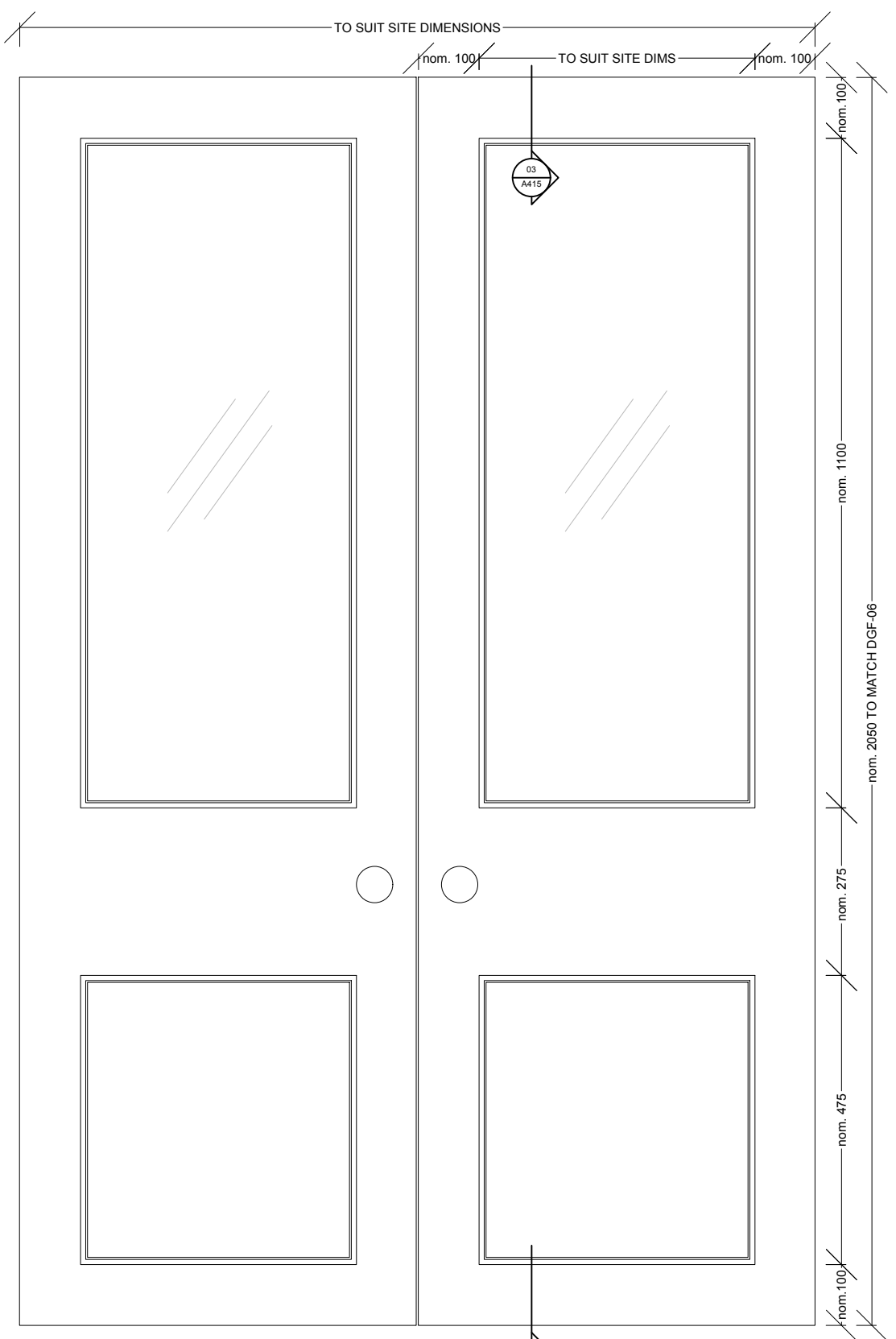
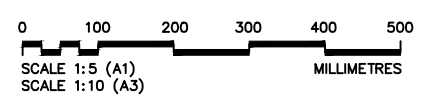
REV DATE DESCRIPTION

FOR PLANNING

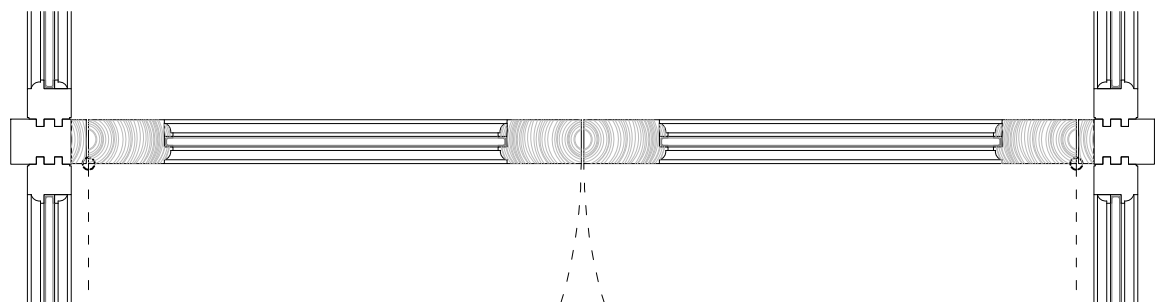
JOB TITLE  
 Keats Grove  
 Hampstead  
 DRAWING TITLE  
 External Door Type 2G  
 Glazed Studio Entrance Door

JOB No	DWG No	REV
546	A415	-
DRAWN BY	SCALE (AT A1)	DATE
RFB	1:5@A1, 1:10@A3	May17

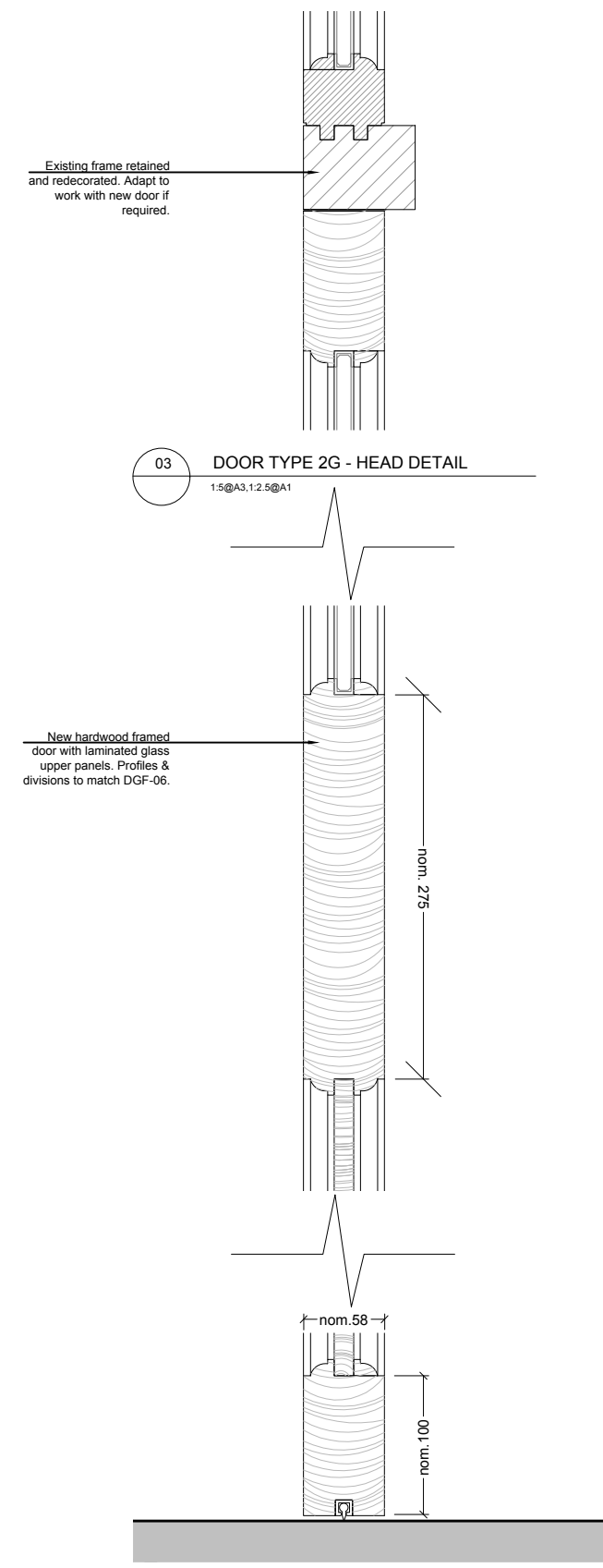
**RICHARD GRIFFITHS ARCHITECTS**  
 5 Maidstone Mews, 72-76 Borough High Street, London SE1 1GN  
 T +44(0)20 7357 8788 | F +44(0)20 7403 7887  
 E admin@rgarchitects.com | www.rgarchitects.com



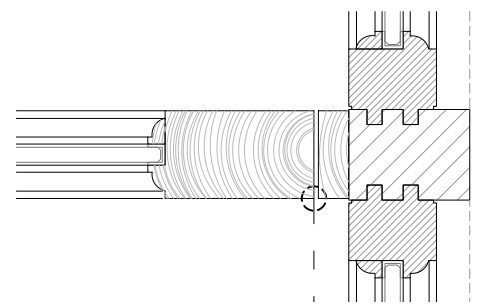
01 DOOR TYPE 2G - PROPOSED ELEVATION  
 1:10@A3, 1:5@A1



02 DOOR TYPE 2G - PROPOSED PLAN  
 1:10@A3, 1:5@A1



04 DOOR TYPE 2G - THRESHOLD DETAIL  
 1:5@A3, 1:2.5@A1



05 DOOR TYPE 2G - JAMB DETAIL  
 1:5@A3, 1:2.5@A1