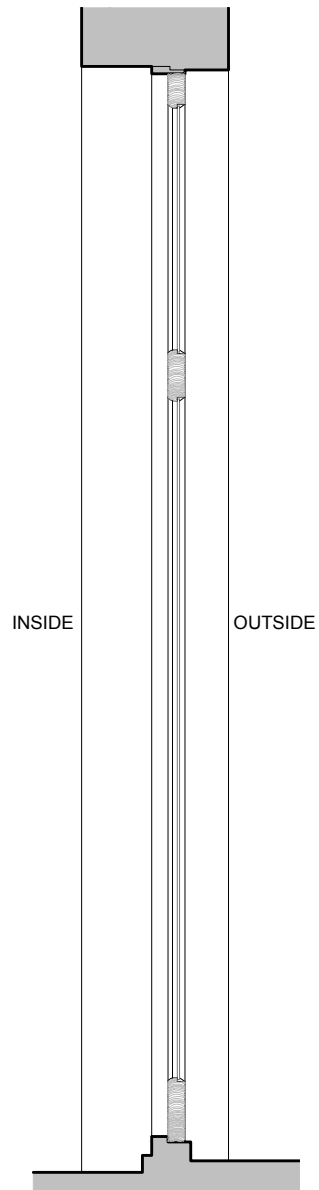
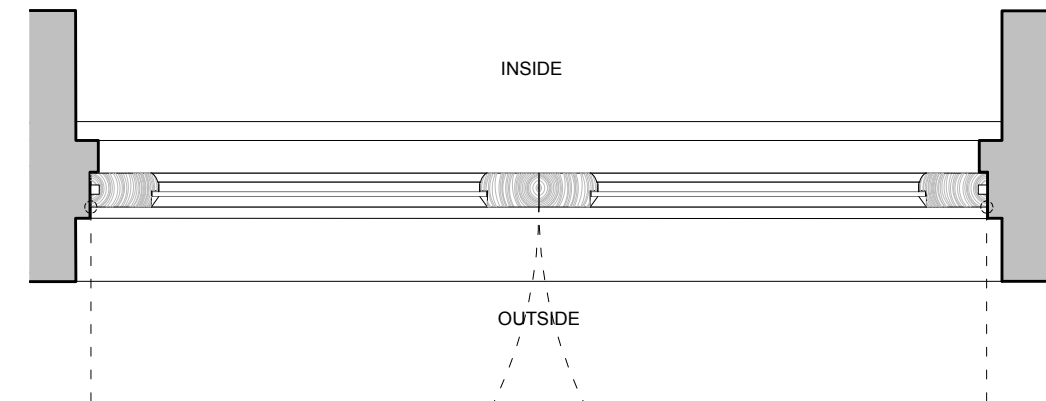


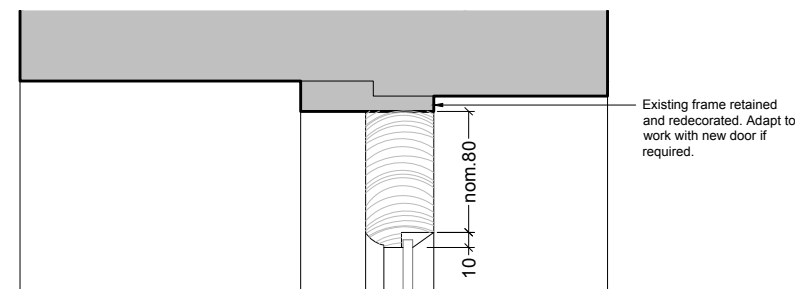
01 DOOR TYPE 2F - PROPOSED ELEVATION
1:20@A3, 1:10@A1



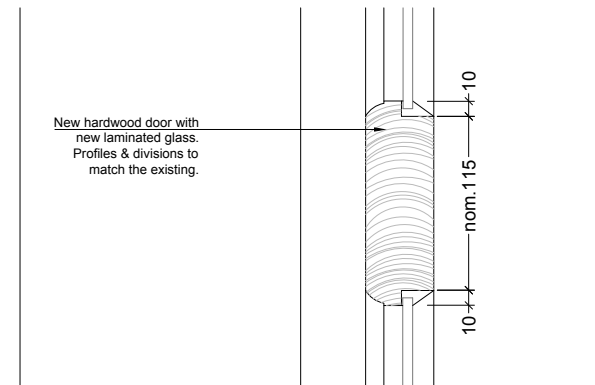
02 DOOR TYPE 2F - PROPOSED SECTION
1:20@A3, 1:10@A1



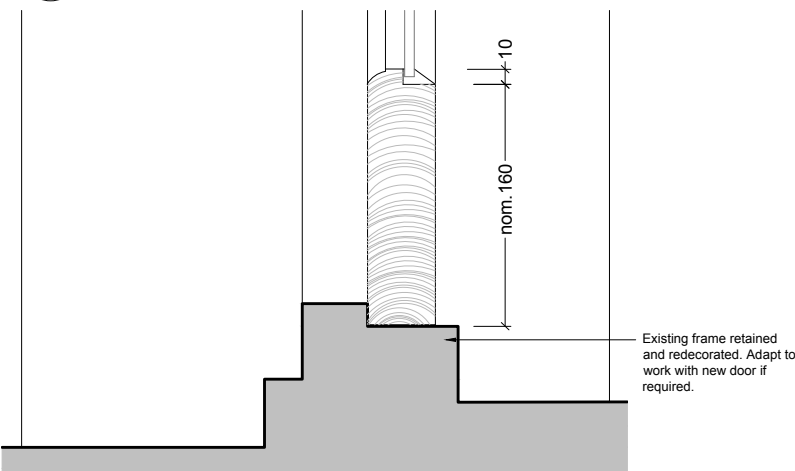
03 DOOR TYPE 2F - PROPOSED PLAN
1:10@A3, 1:5@A1



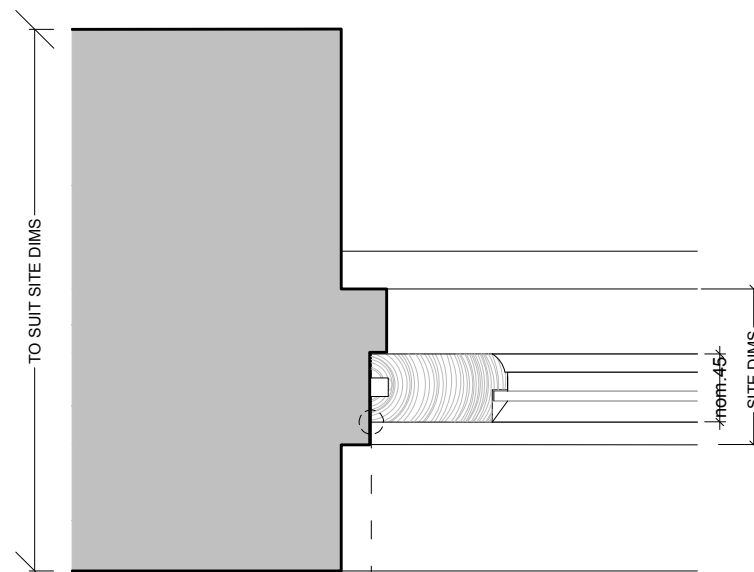
04 DOOR TYPE 2F - HEAD DETAIL
1:5@A3, 1:2.5@A1



05 DOOR TYPE 2F - MULLION DETAIL
1:5@A3, 1:2.5@A1



06 DOOR TYPE 2F - THRESHOLD DETAIL
1:5@A3, 1:2.5@A1



07 DOOR TYPE 2F - JAMB DETAIL
1:5@A3, 1:2.5@A1

DO NOT SCALE FROM THIS DRAWING
DRAWING TO BE READ IN CONJUNCTION WITH ALL OTHER ARCHITECTS AND ENGINEERS CONTRACT DRAWING & SPECIFICATIONS.
ANY DISCREPANCIES MUST BE BROUGHT TO THE ATTENTION OF THE ARCHITECT IMMEDIATELY.
THE CONTRACTOR MUST VERIFY ALL DIMENSIONS BY SITE MEASUREMENT BEFORE ORDERING MATERIALS OR MANUFACTURING COMPONENTS.
SUBSTITUTE MATERIALS & PRODUCTS TO THOSE NAMED WILL BE ACCEPTABLE IF PROVEN TO BE OF EQUAL OR HIGHER PERFORMANCE AND NOT IN CONFLICT WITH OTHER ELEMENTS.

DOORS	
2F	DGF-10
	DGF-16
	DGF-17

REV	DATE	DESCRIPTION

FOR PLANNING

JOB TITLE
Keats Grove
Hampstead
DRAWING TITLE
External Door Type 2F
GF Balcony Double Doors
JOB No. 546
DWG No. A414
SCALE (AT A1) 1:5@A1, 1:10@A3
DRAWN BY RFB
DATE Jan18

RICHARD GRIFFITHS ARCHITECTS
5 Maidstone Mews, 72-76 Borough High Street, London SE1 1GN
T +44(0)20 7357 8788 | F +44(0)20 7403 7887
E admin@rgarchitects.com | www.rgarchitects.com

