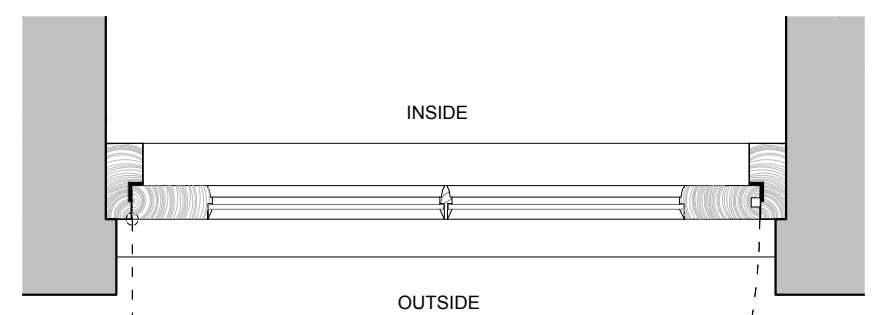
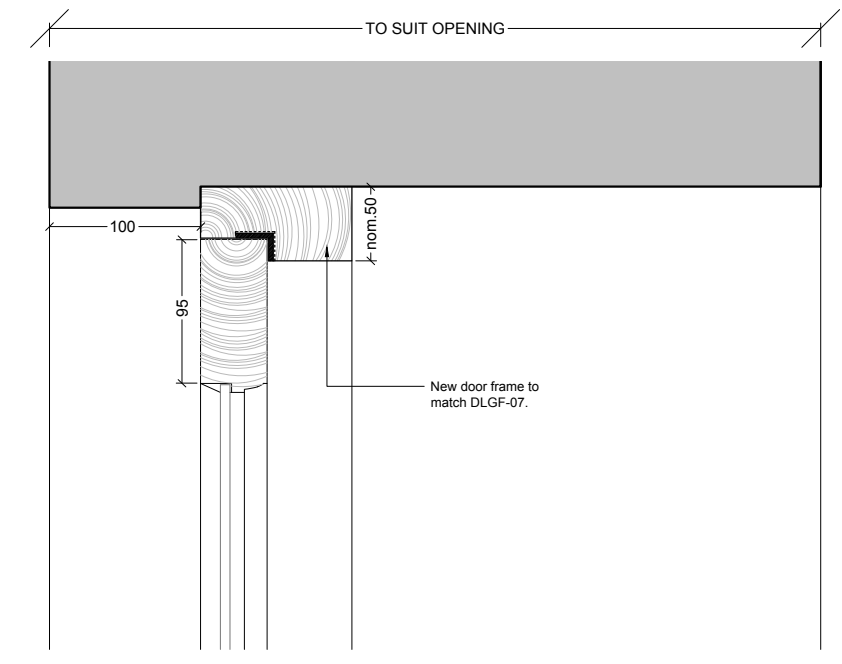


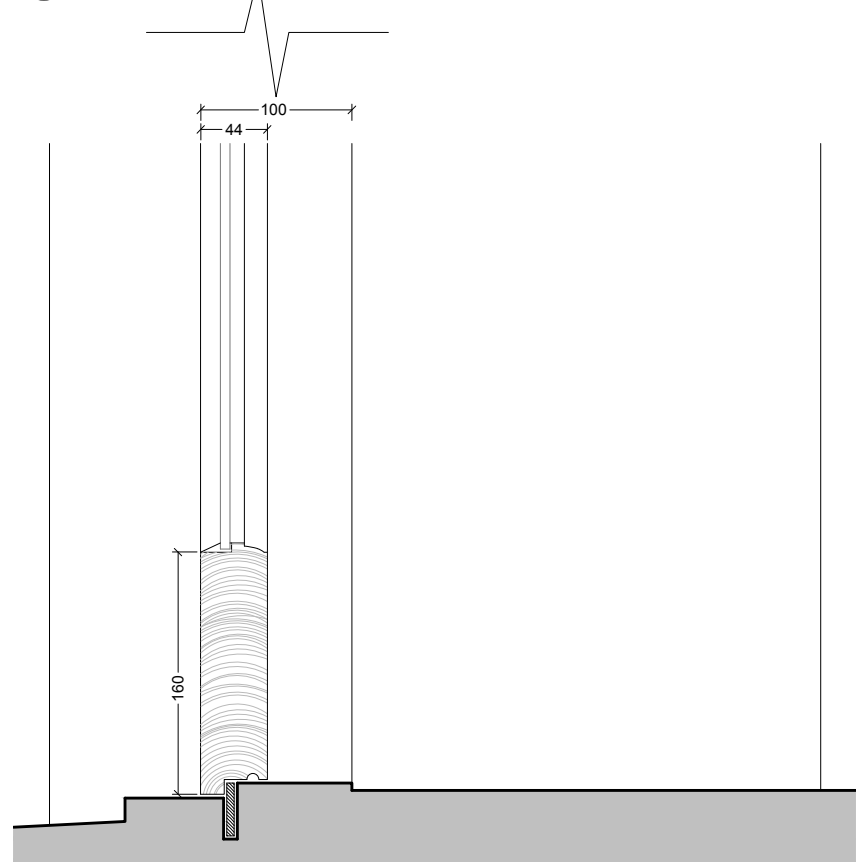
01 DOOR TYPE 2B - PROPOSED ELEVATION
1:5@A3, 1:2.5@A1



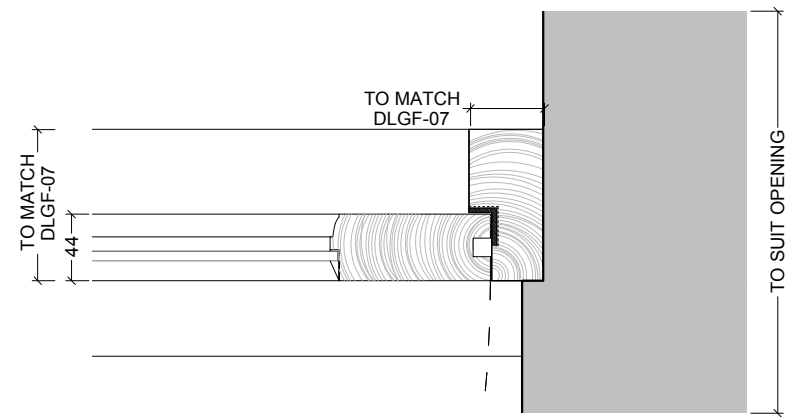
02 DOOR TYPE 2B - PROPOSED PLAN
1:5@A3, 1:2.5@A1



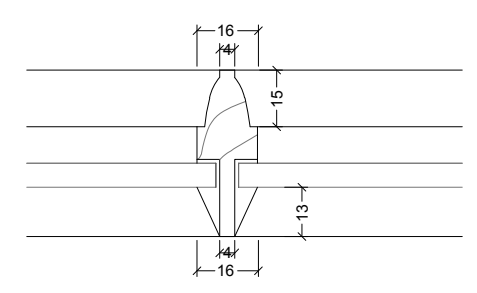
03 DOOR TYPE 2B - HEAD DETAIL
1:5@A3, 1:2.5@A1



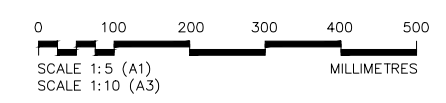
04 DOOR TYPE 2B - THRESHOLD DETAIL
1:5@A3, 1:2.5@A1



05 DOOR TYPE 2B - JAMB DETAIL
1:5@A3, 1:2.5@A1



06 DOOR TYPE 2B - GLAZING BAR
1:2@A3, 1:1@A1



DO NOT SCALE FROM THIS DRAWING
DRAWING TO BE READ IN CONJUNCTION WITH ALL OTHER ARCHITECTS AND ENGINEERS CONTRACT DRAWING & SPECIFICATIONS.
ANY DISCREPANCIES MUST BE BROUGHT TO THE ATTENTION OF THE ARCHITECT IMMEDIATELY.
THE CONTRACTOR MUST VERIFY ALL DIMENSIONS BY SITE MEASUREMENT BEFORE ORDERING MATERIALS OR MANUFACTURING COMPONENTS.
SUBSTITUTE MATERIALS & PRODUCTS TO THOSE NAMED WILL BE ACCEPTABLE IF PROVEN TO BE OF EQUAL OR HIGHER PERFORMANCE AND NOT IN CONFLICT WITH OTHER ELEMENTS.

DOORS	
2B	DLGF-25

REV	DATE	DESCRIPTION

FOR PLANNING

JOB TITLE
Keats Grove
Hampstead
DRAWING TITLE
External Door Type 2B
10-Light Single Door
JOB No. 546
DWG No. A410
DRAWN BY RFB
SCALE (AT A1) 1:5@A1, 1:10@A3
DATE Jan18

RICHARD GRIFFITHS ARCHITECTS
5 Maidstone Mews, 72-76 Borough High Street, London SE1 1GN
T +44(0)20 7357 8788 | F +44(0)20 7403 7887
E admin@rgarchitects.com | www.rgarchitects.com