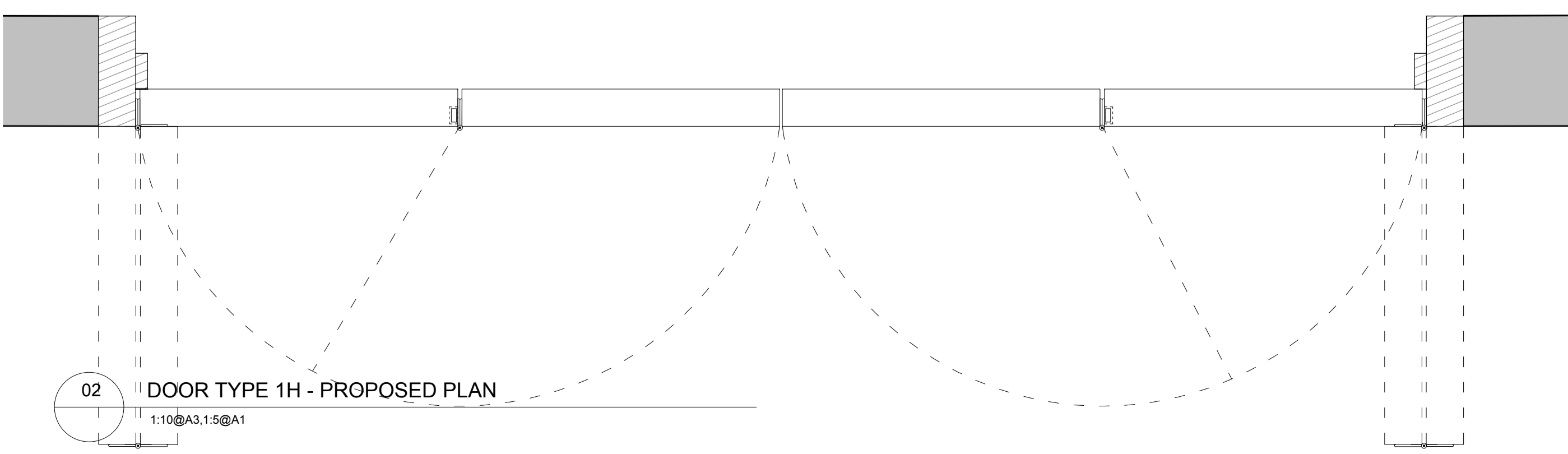
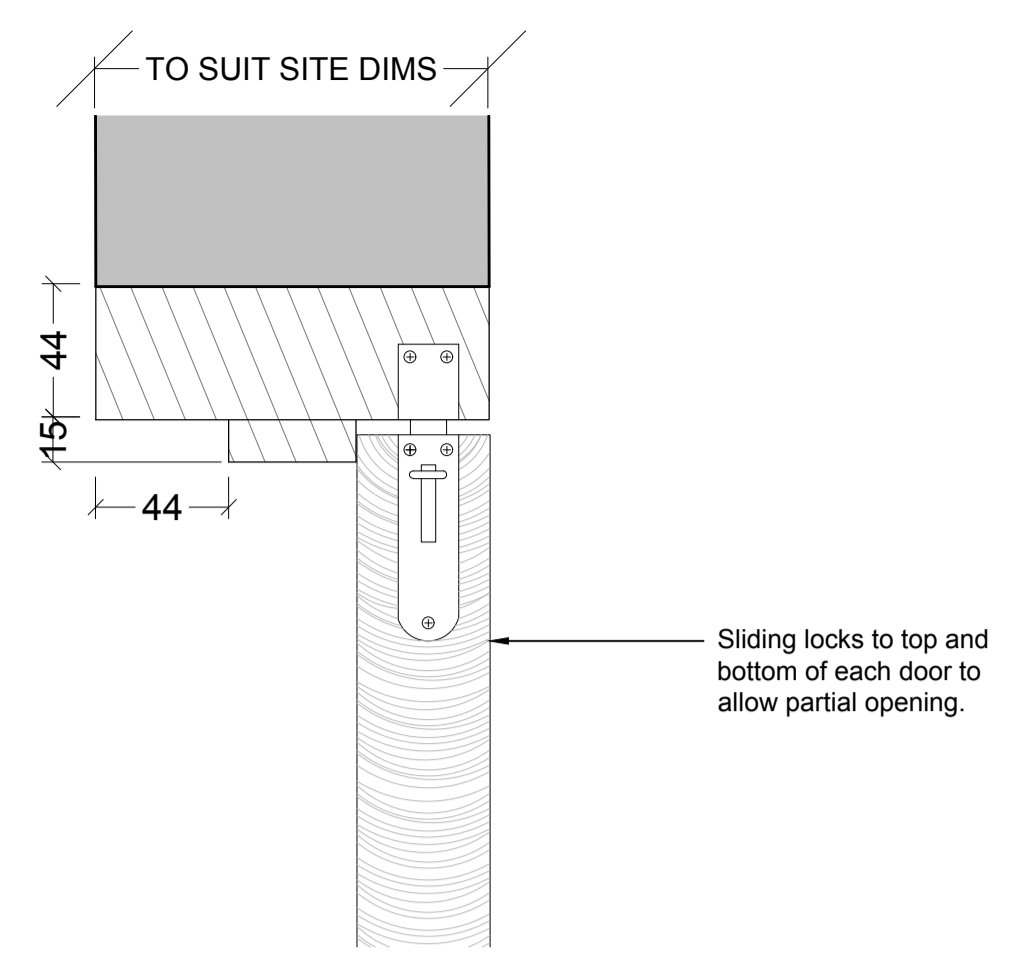


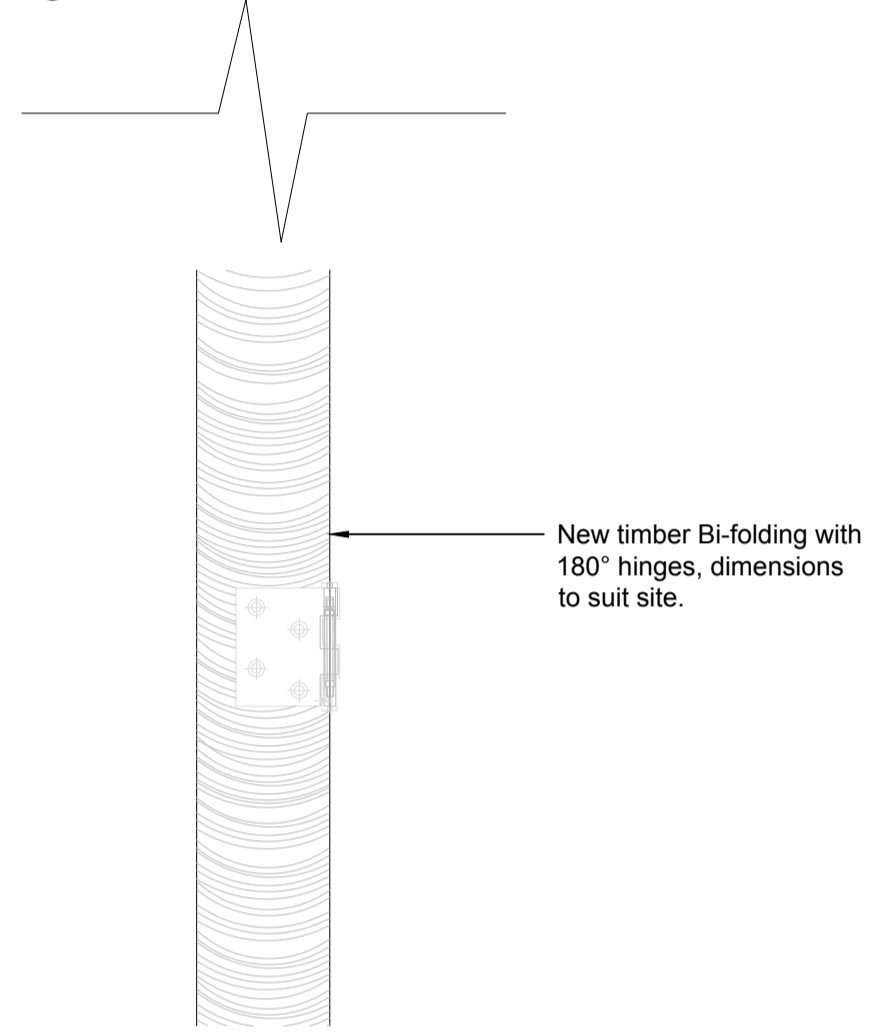
01 DOOR TYPE 1H - PROPOSED ELEVATION
1:10@A3,1:5@A1



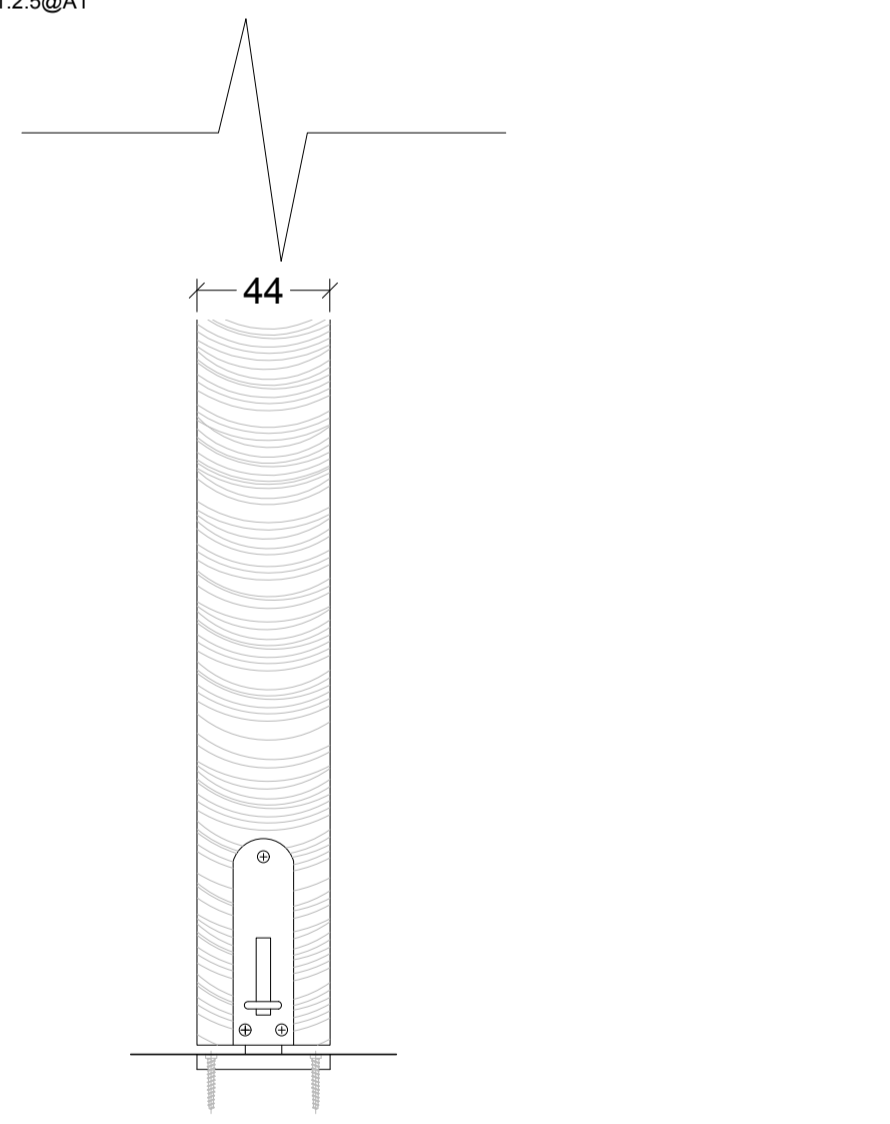
02 DOOR TYPE 1H - PROPOSED PLAN
1:10@A3,1:5@A1



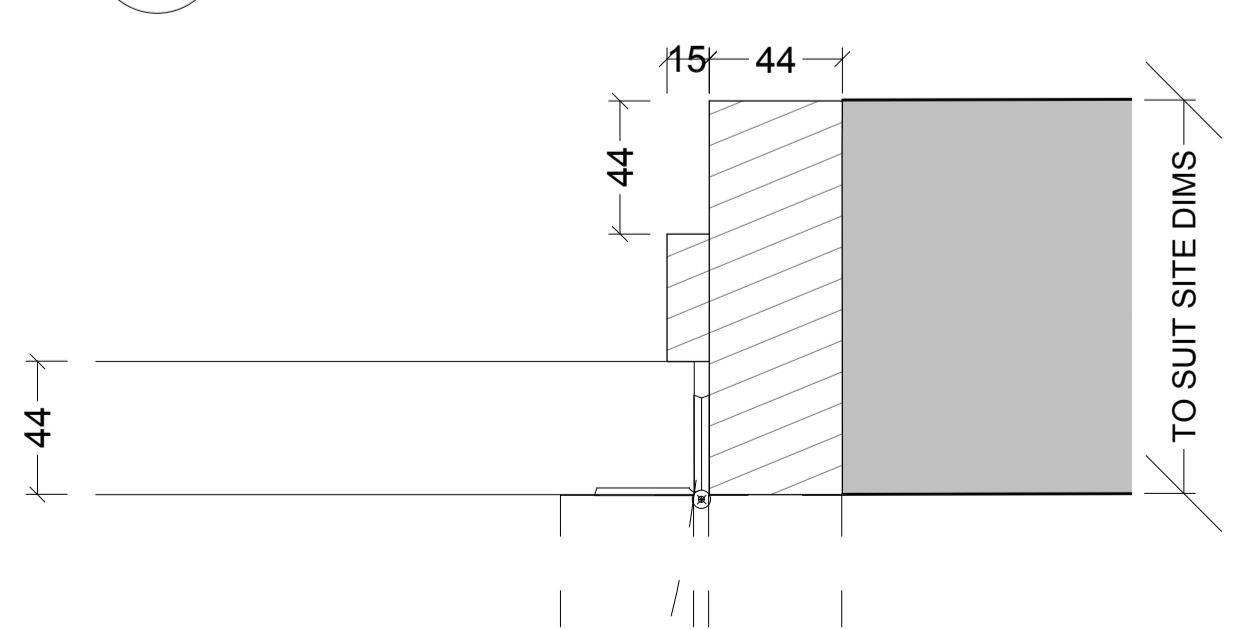
03 DOOR TYPE 1H - HEAD DETAIL
1:5@A3,1:2.5@A1



04 DOOR TYPE 1H - HINGE DETAIL
1:5@A3,1:2.5@A1



05 DOOR TYPE 1H - THRESHOLD DETAIL
1:5@A3,1:2.5@A1



06 DOOR TYPE 1H - JAMB DETAIL
1:5@A3,1:2.5@A1

DO NOT SCALE FROM THIS DRAWING
DRAWING TO BE READ IN CONJUNCTION WITH ALL OTHER ARCHITECTS AND ENGINEERS CONTRACT DRAWING & SPECIFICATIONS. ANY DISCREPANCIES MUST BE BROUGHT TO THE ATTENTION OF THE ARCHITECT IMMEDIATELY.
THE CONTRACTOR MUST VERIFY ALL DIMENSIONS BY SITE MEASUREMENT BEFORE ORDERING MATERIALS OR MANUFACTURING COMPONENTS.
SUBSTITUTE MATERIALS & PRODUCTS TO THOSE NAMED WILL BE ACCEPTABLE IF PROVEN TO BE OF EQUAL OR HIGHER PERFORMANCE AND NOT IN CONFLICT WITH OTHER ELEMENTS.

DOORS	
1G	DLGF-23

REV	DATE	DESCRIPTION

FOR PLANNING

JOB TITLE
Keats Grove
Hampstead
DRAWING TITLE
Internal Door Type 1H
Bi-Folding Doors
JOB No 546
DWG No A407
DRAWN BY RFB
SCALE (AT A1) 1:5@A1,1:10@A3
DATE Jan18

RICHARD GRIFFITHS ARCHITECTS
5 Maidstone Mews, 72-76 Borough High Street, London SE1 1GN
T +44(0)20 7357 8788 | F +44(0)20 7403 7887
E admin@rgarchitects.com | www.rgarchitects.com

