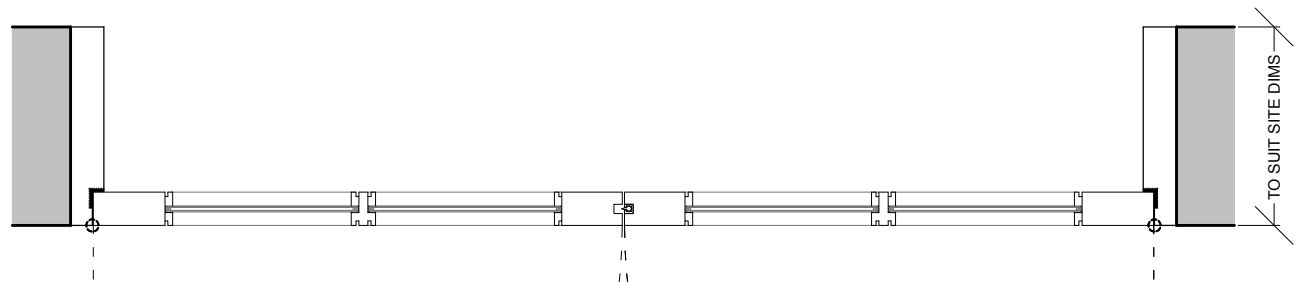
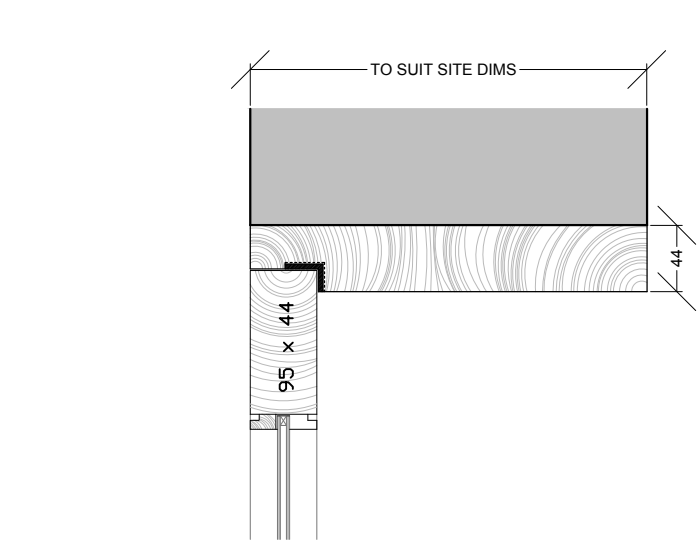


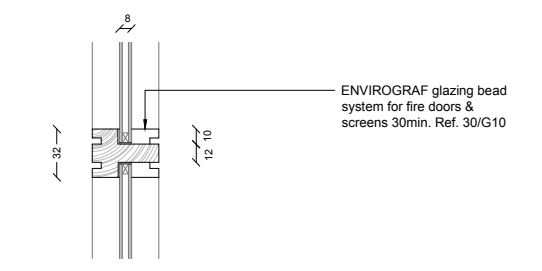
01 DOOR TYPE 1B - PROPOSED ELEVATION
1:10@A3, 1:5@A1



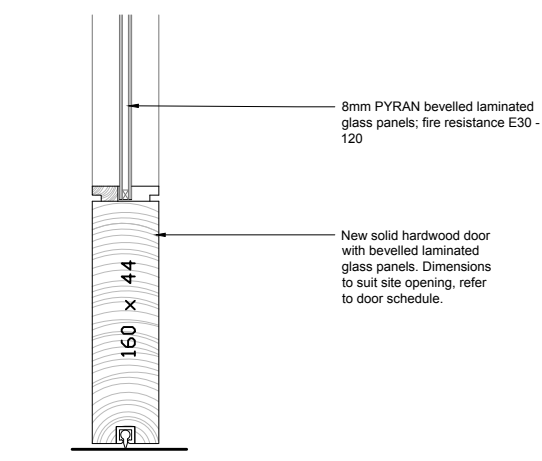
02 DOOR TYPE 1B - PROPOSED PLAN
1:10@A3, 1:5@A1



03 DOOR TYPE 1B - HEAD DETAIL
1:5@A3, 1:2.5@A1



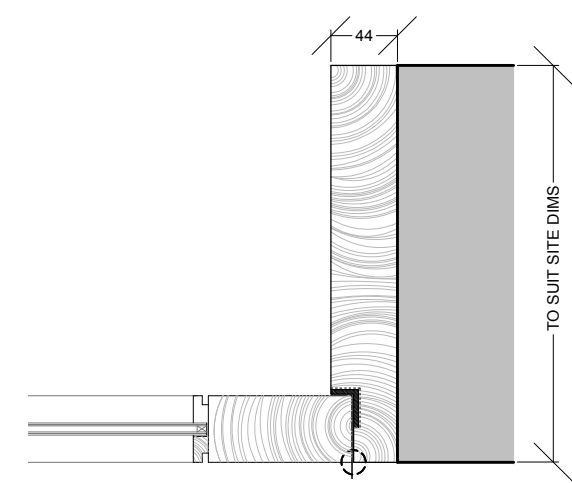
ENVIROGRAF glazing bead system for fire doors & screens 30min. Ref. 30/G10



04 DOOR TYPE 1B - THRESHOLD DETAIL
1:5@A3, 1:2.5@A1

8mm PYRAN bevelled laminated glass panels; fire resistance E30 - 120

New solid hardwood door with bevelled laminated glass panels. Dimensions to suit site opening, refer to door schedule.



05 DOOR TYPE 1B - JAMB DETAIL
1:5@A3, 1:2.5@A1

DO NOT SCALE FROM THIS DRAWING
DRAWING TO BE READ IN CONJUNCTION WITH ALL OTHER ARCHITECTS AND ENGINEERS CONTRACT DRAWING & SPECIFICATIONS. ANY DISCREPANCIES MUST BE BROUGHT TO THE ATTENTION OF THE ARCHITECT IMMEDIATELY.
THE CONTRACTOR MUST VERIFY ALL DIMENSIONS BY SITE MEASUREMENT BEFORE ORDERING MATERIALS OR MANUFACTURING COMPONENTS.
SUBSTITUTE MATERIALS & PRODUCTS TO THOSE NAMED WILL BE ACCEPTABLE IF PROVEN TO BE OF EQUAL OR HIGHER PERFORMANCE AND NOT IN CONFLICT WITH OTHER ELEMENTS.

NOTES

DOORS	
1B	DLGF-17 DLGF-18

REV	DATE	DESCRIPTION

FOR PLANNING

JOB TITLE
Keats Grove
Hampstead
DRAWING TITLE
Internal Door Type 1B
Glazed Double Door
JOB No. 546
DRAWN BY RFB
DATE Jan18
DWG No. A401
SCALE (ET A1) 1:5@A1, 1:10@A3
REV -
DATE

RICHARD GRIFFITHS ARCHITECTS
5 Maidstone Mews, 72-76 Borough High Street, London SE1 1GN
T +44(0)20 7357 8788 | F +44(0)20 7403 7887
E admin@rgharchitects.com | www.rgharchitects.com

