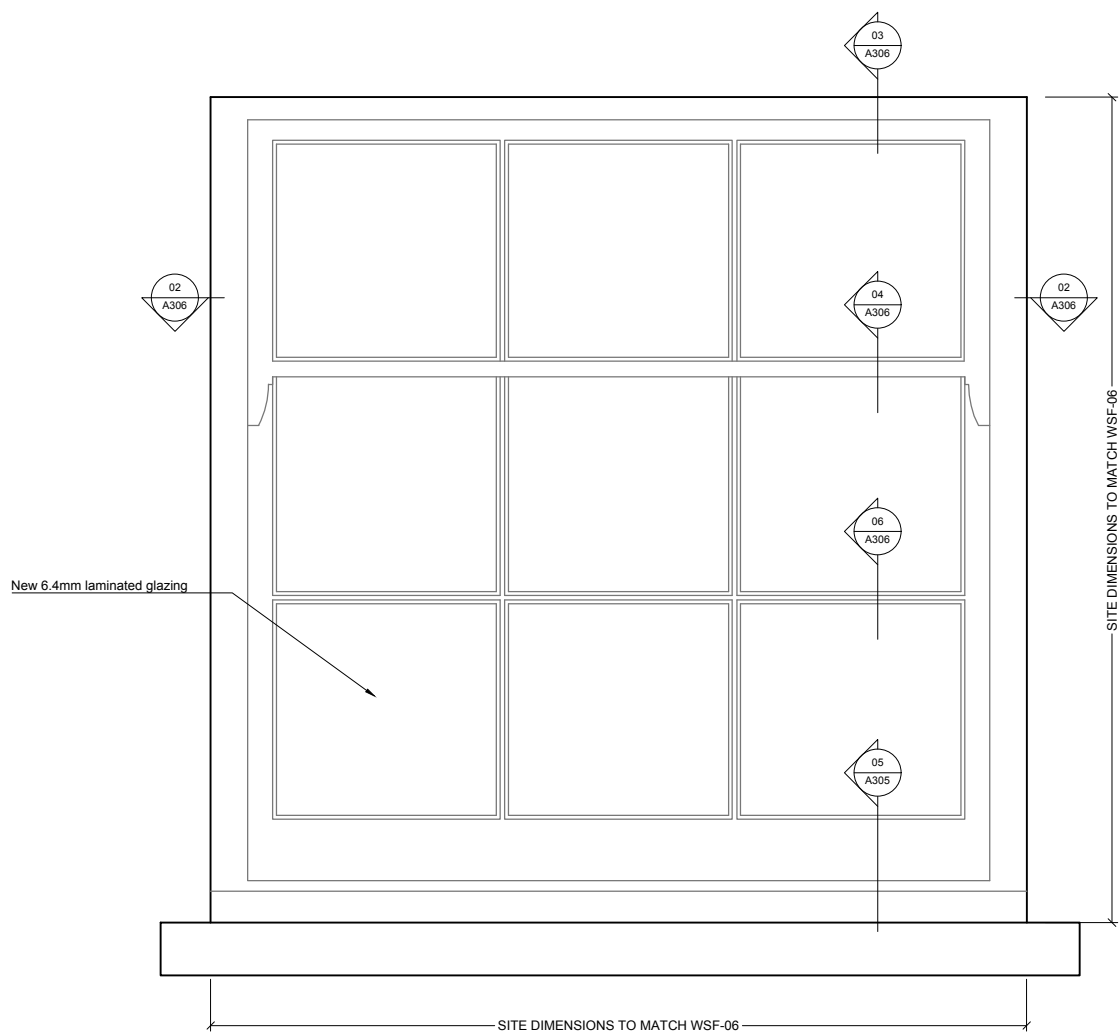
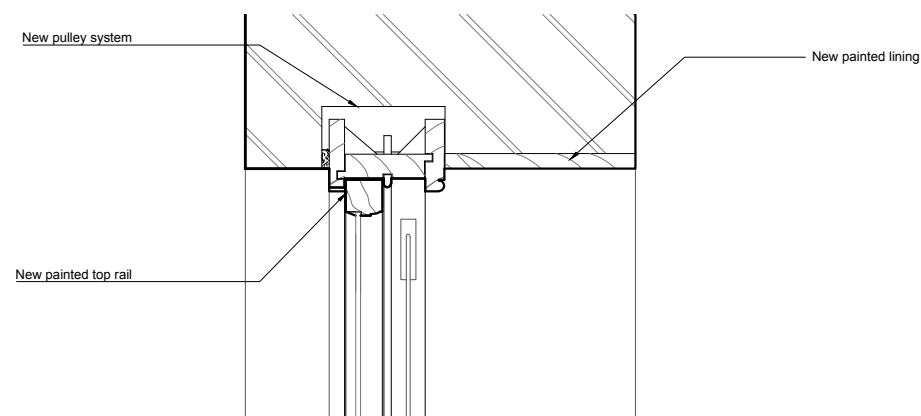


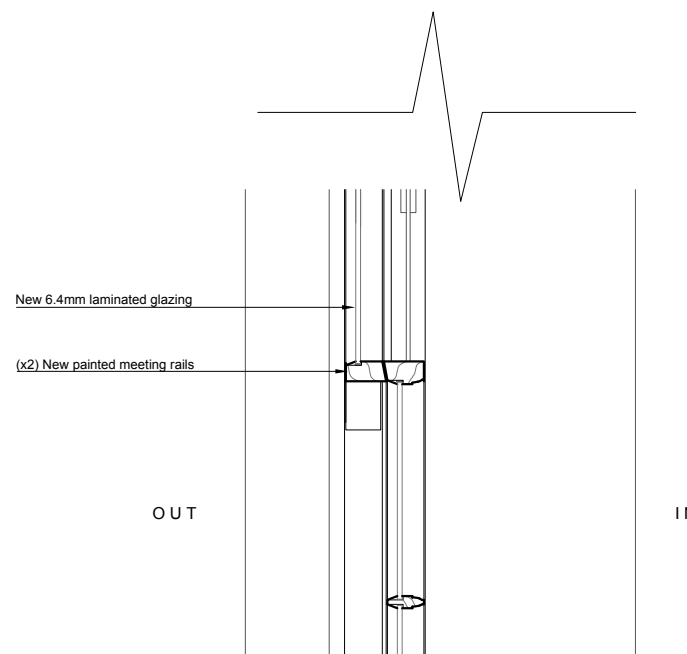
DO NOT SCALE FROM THIS DRAWING
 DRAWING TO BE READ IN CONJUNCTION WITH ALL OTHER ARCHITECTS
 AND ENGINEERS CONTRACT DRAWING & SPECIFICATIONS.
 ANY DISCREPANCIES MUST BE BROUGHT TO THE ATTENTION OF THE
 ARCHITECT IMMEDIATELY.
 THE CONTRACTOR MUST VERIFY ALL DIMENSIONS BY SITE
 MEASUREMENT BEFORE ORDERING MATERIALS OR MANUFACTURING
 COMPONENTS.
 SUBSTITUTE MATERIALS & PRODUCTS TO THOSE NAMED WILL BE
 ACCEPTABLE IF PROVEN TO BE OF EQUAL OR HIGHER PERFORMANCE
 AND NOT IN CONFLICT WITH OTHER ELEMENTS.



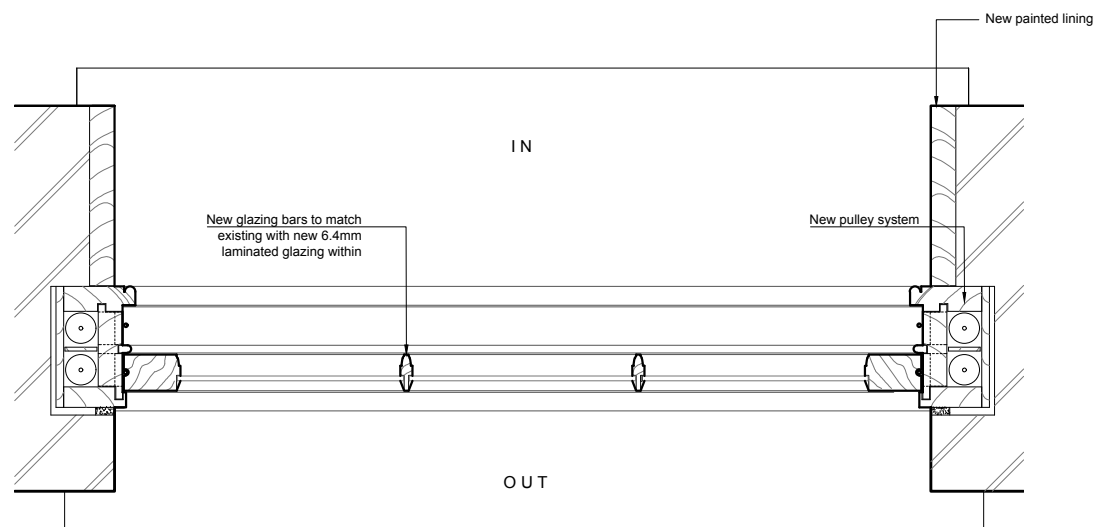
01 WINDOW TYPE 2D - EXTERNAL ELEVATION
 1:10@A3, 1:5@A1



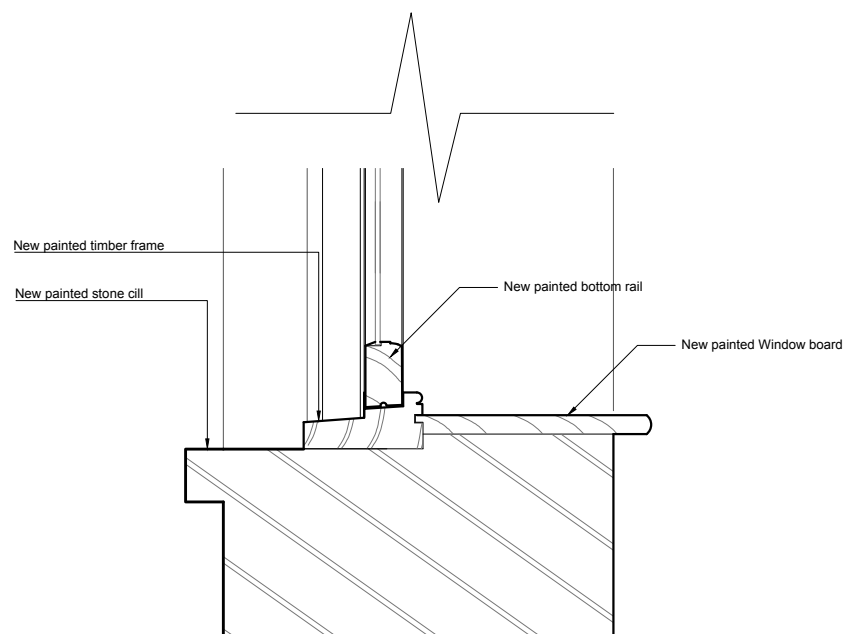
03 WINDOW TYPE 2D - HEAD
 1:10@A3, 1:5@A1



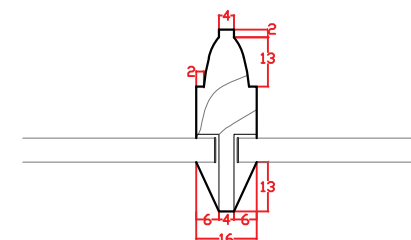
04 WINDOW TYPE 2D - MEETING RAIL
 1:10@A3, 1:5@A1



02 WINDOW TYPE 2D - SASH JAMBS
 1:10@A3, 1:5@A1



05 WINDOW TYPE 2D - CILL
 1:10@A3, 1:5@A1



06 WINDOW TYPE 2D - GLAZING BAR
 1:2@A3, 1:1@A1

WINDOWS	
2D	WSF-04
	WSF-05

REV. DATE DESCRIPTION

FOR PLANNING

JOB TITLE
 Keats Grove
 Hampstead
 DRAWING TITLE
 Window Type 2D
 New 2F South Elevation Sashes
 JOB No. 546
 DRAWN BY RFB
 DWG No. A306
 SCALE (AT A1) 1:5@A1, 1:10@A3
 REV -
 DATE Dec17

RICHARD GRIFFITHS ARCHITECTS

5 Maidstone Mews, 72-76 Borough High Street, London SE1 1GN
 T +44(0)20 7357 8788 | F +44(0)20 7403 7887
 E admin@rgarchitects.com | www.rgarchitects.com

