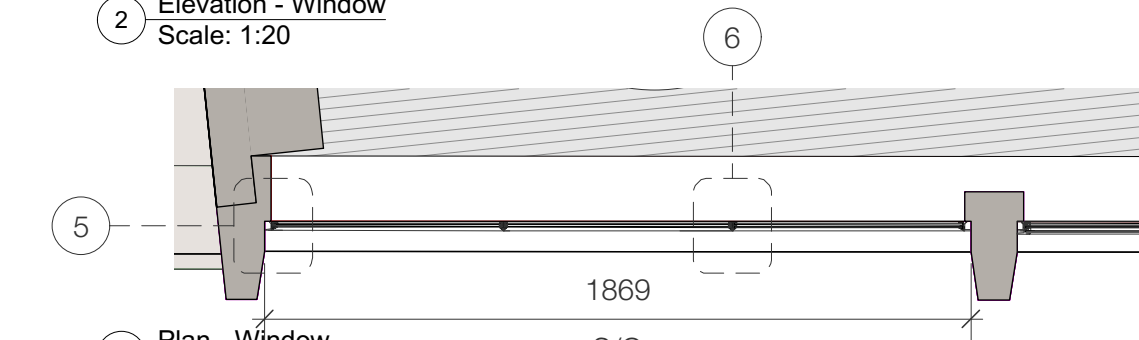
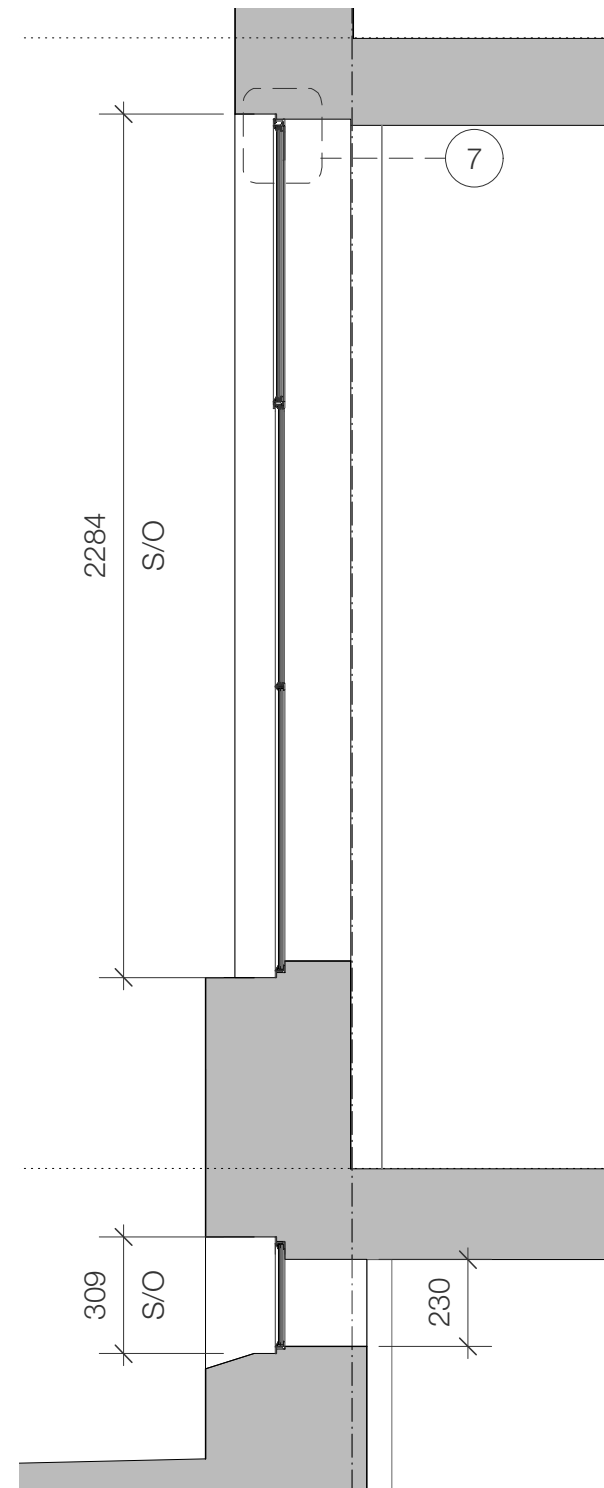


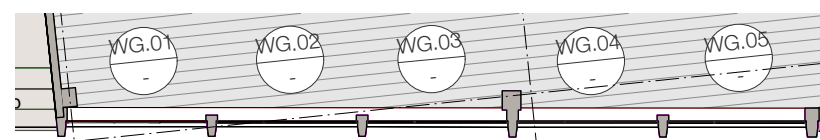
2 Elevation - Window  
Scale: 1:20



1 Plan - Window  
Scale: 1:20



3 Section - Window  
Scale: 1:20



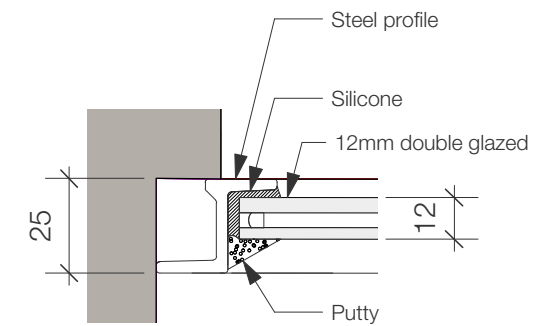
4 Key Plan  
Scale: 1:100

All dimensions need to be checked and confirmed on site

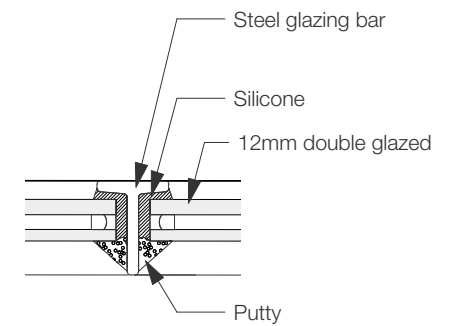
**Typical Crittal Window:**

- steel window to have double glazing
- window frame to be powder coated, colour in RAL 7016 anthracite grey

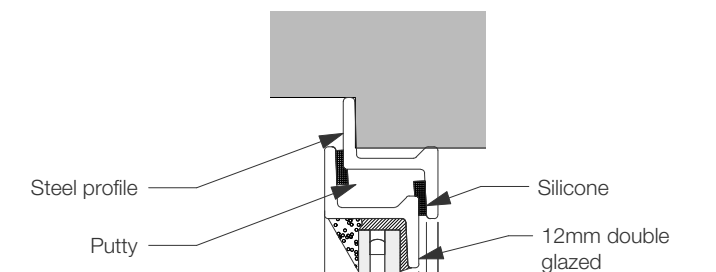
Manufactured by SC Palagheanu Joinery  
Str. Prunului, Nr. 11C  
RO-727475 Plopeni, Oras Salcea, Jud. Suceava, Romania



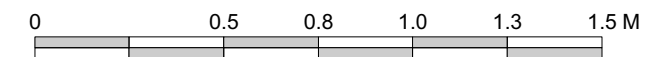
5 Jamb Detail  
Scale: 1:2



6 Glazing Bar Detail  
Scale: 1:2



7 Head Detail  
Scale: 1:2



**General Notes**

- 1) Do not scale from this drawing.
  - 2) Written dimensions only to be used.
  - 3) All dimensions are in millimetres.
  - 4) These drawings shall be read in conjunction with all other relevant drawings, written instructions and specifications.
  - 5) Any discrepancies or inconsistencies must be reported to the architect immediately.
- © CHASSAY STUDIO Ltd 2017

Rev.	By	Description of Change	Date	Checked
-	WT	Issue for planning	19.06.19	TC