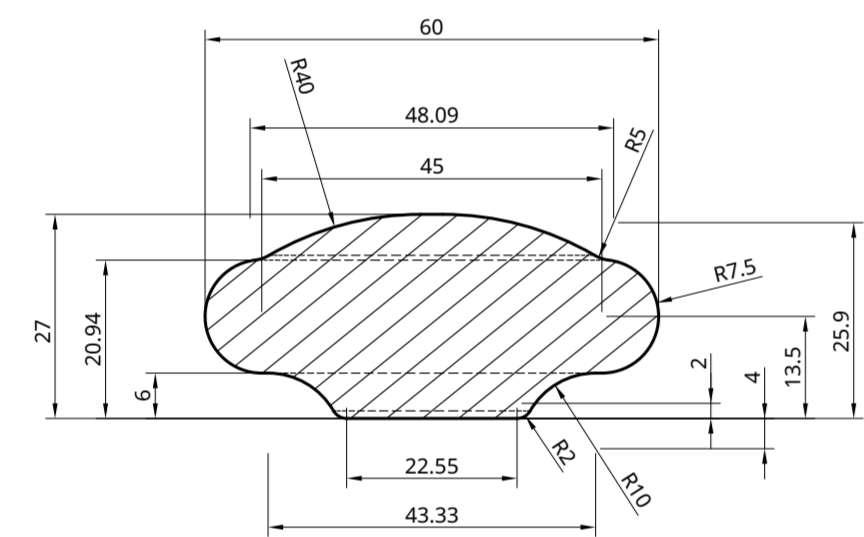
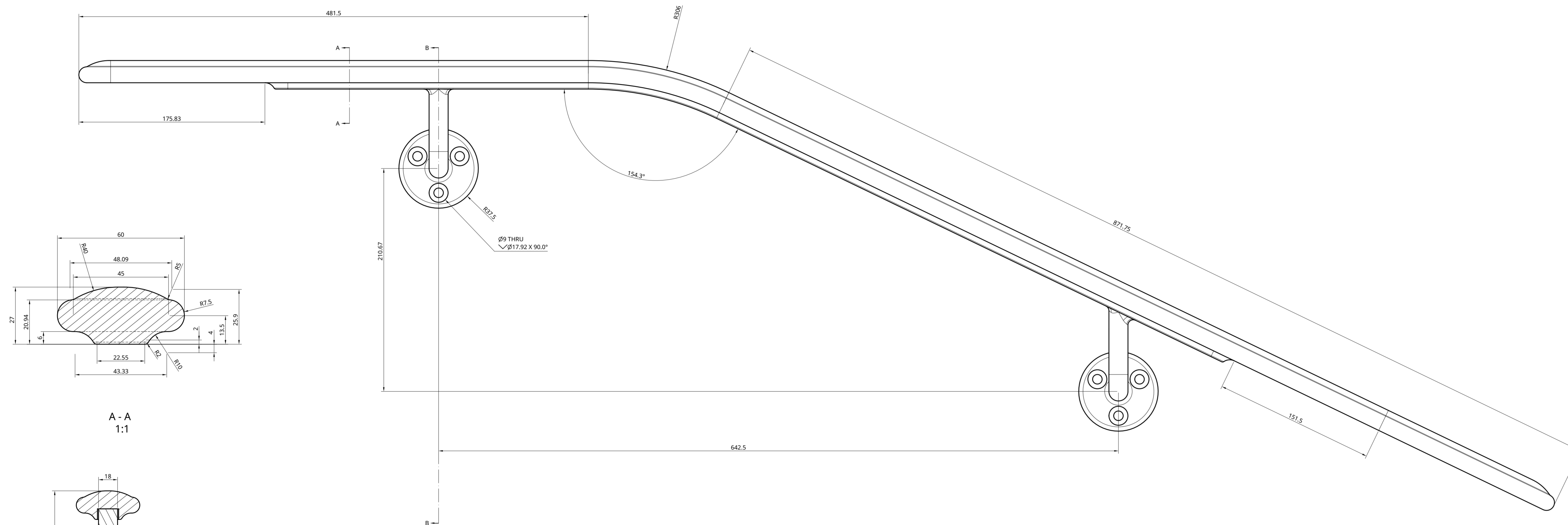
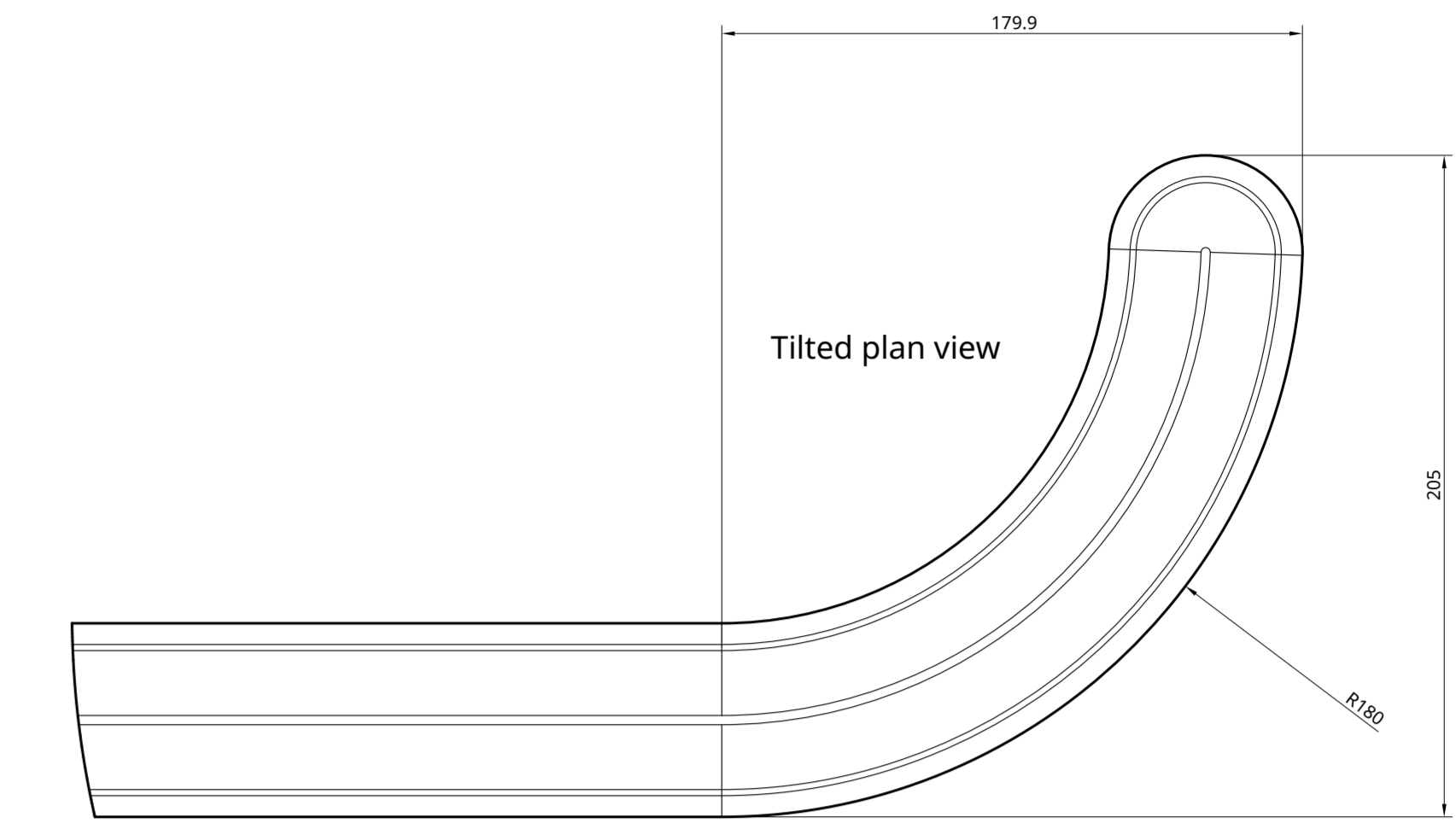
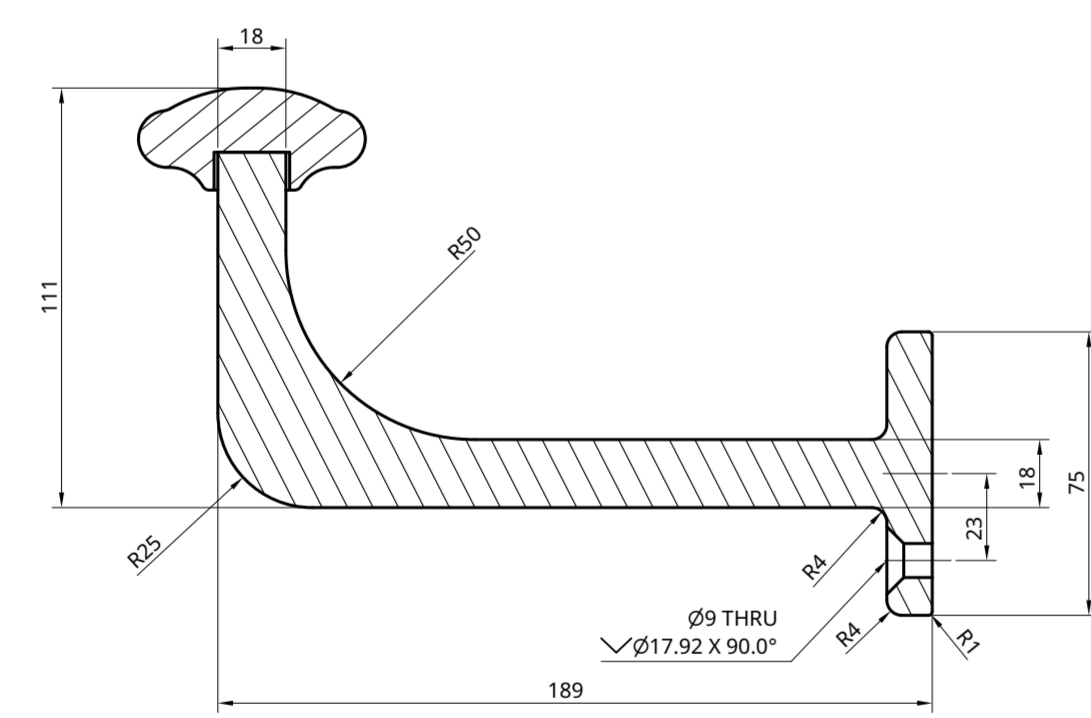


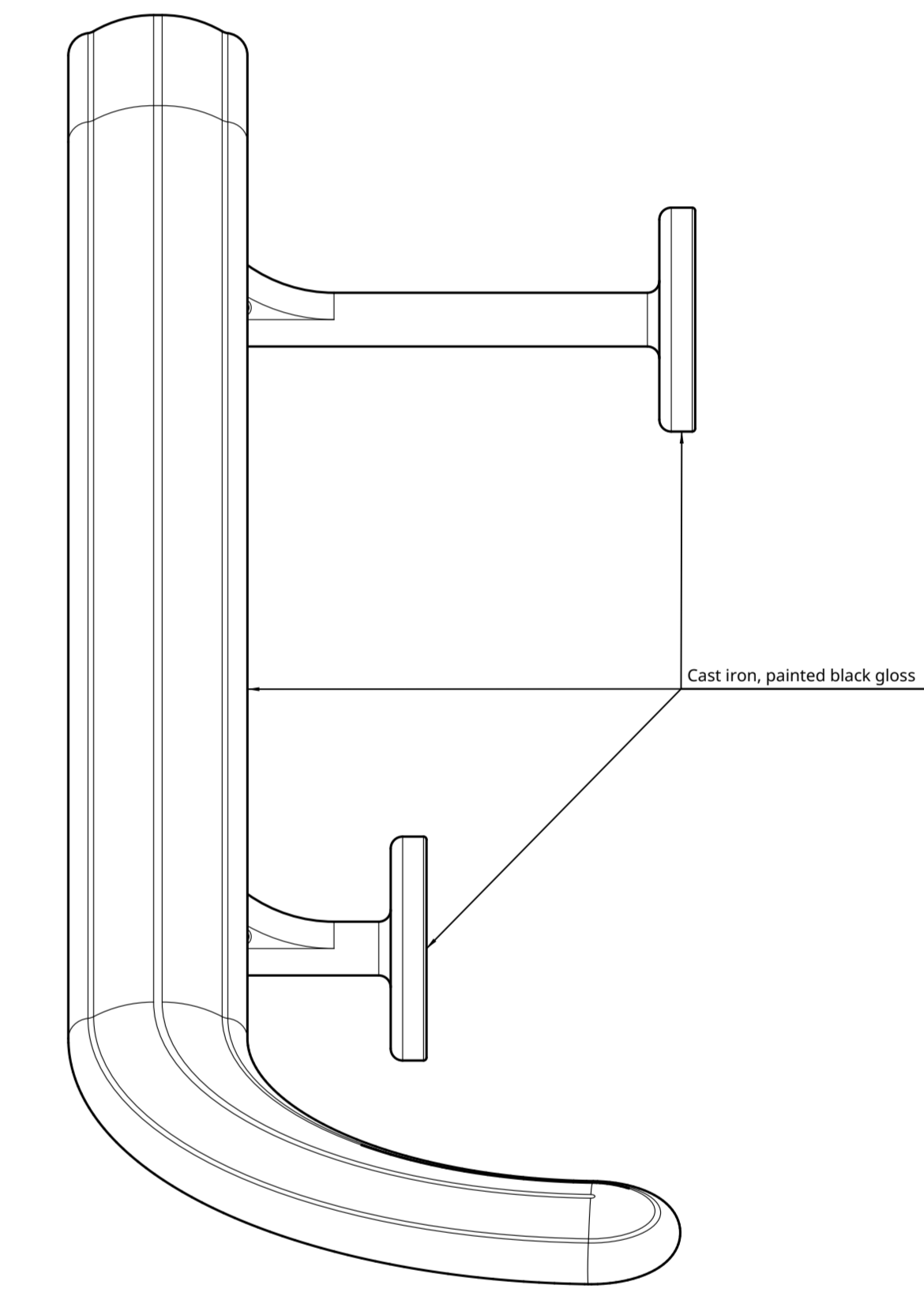
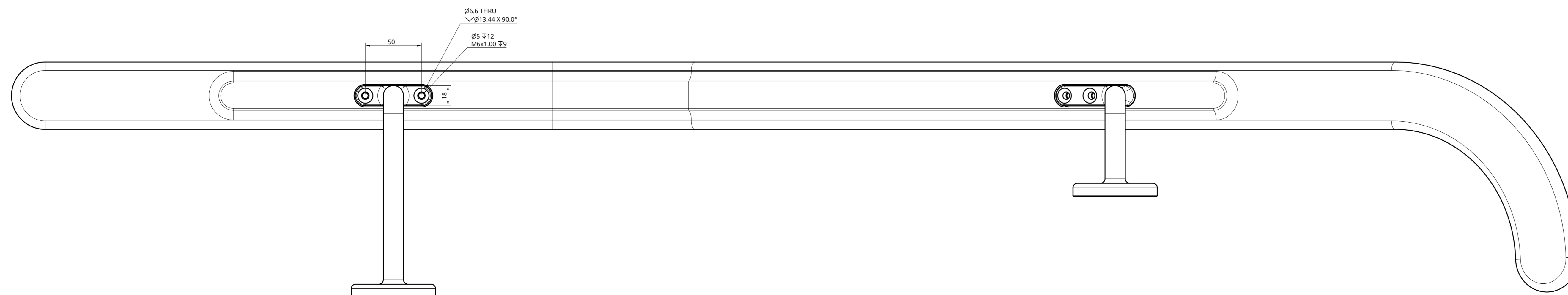
UNLESS OTHERWISE SPECIFIED, DIMENSIONS ARE IN MILLIMETRES		NAME		SIGNATURE		DATE		JLK-DS		Rear Ground Floor 70 Chalk Farm Road NW1 8AN, London www.jlk-ds.com +44 (0)7910969055	
SURFACE FINISH		DRAWN		REVISIONS		APPROVED		TITLE		CAMBRIDGE GATE	
DO NOT SCALE DRAWINGS		BREAK ALL SHARP EDGES AND REMOVE BURS		THIRD ANGLE PROJECTION		MATERIAL		FINISH		REV. A	
SCALE 1:2		SHEET		1 of 2		ASM-2883 / DRW-2886					



A - A
1:1



B - B



UNLESS OTHERWISE SPECIFIED, DIMENSIONS ARE IN MILLIMETERS		NAME		SIGNATURE		DATE		JLK-DS		Rear Ground Floor 70 Chalk Farm Road NW1 8AL, London contact@jlk-ds.com www.jlk-ds.com +44 (0)7910969055	
SURFACE FINISH: ANGLE: ± 1°		DRAWN: (Johan King)		REVISIONS: (Johan King)		2019-11-19		TITLE: CAMBRIDGE GATE		CG01 HAND RAIL	
DO NOT SCALE DRAWINGS		APPROVED:		DATE: 2019-11-19		SCALE: 1:2		DRAWING NO: ASM-2883 / DRW-2886		REV: A	
DO NOT SCALE DRAWINGS		BREAK ALL SHARP EDGES AND REMOVE BURRS		MATERIAL:		FINISH:		SHEET: 2 of 2		REV: A	