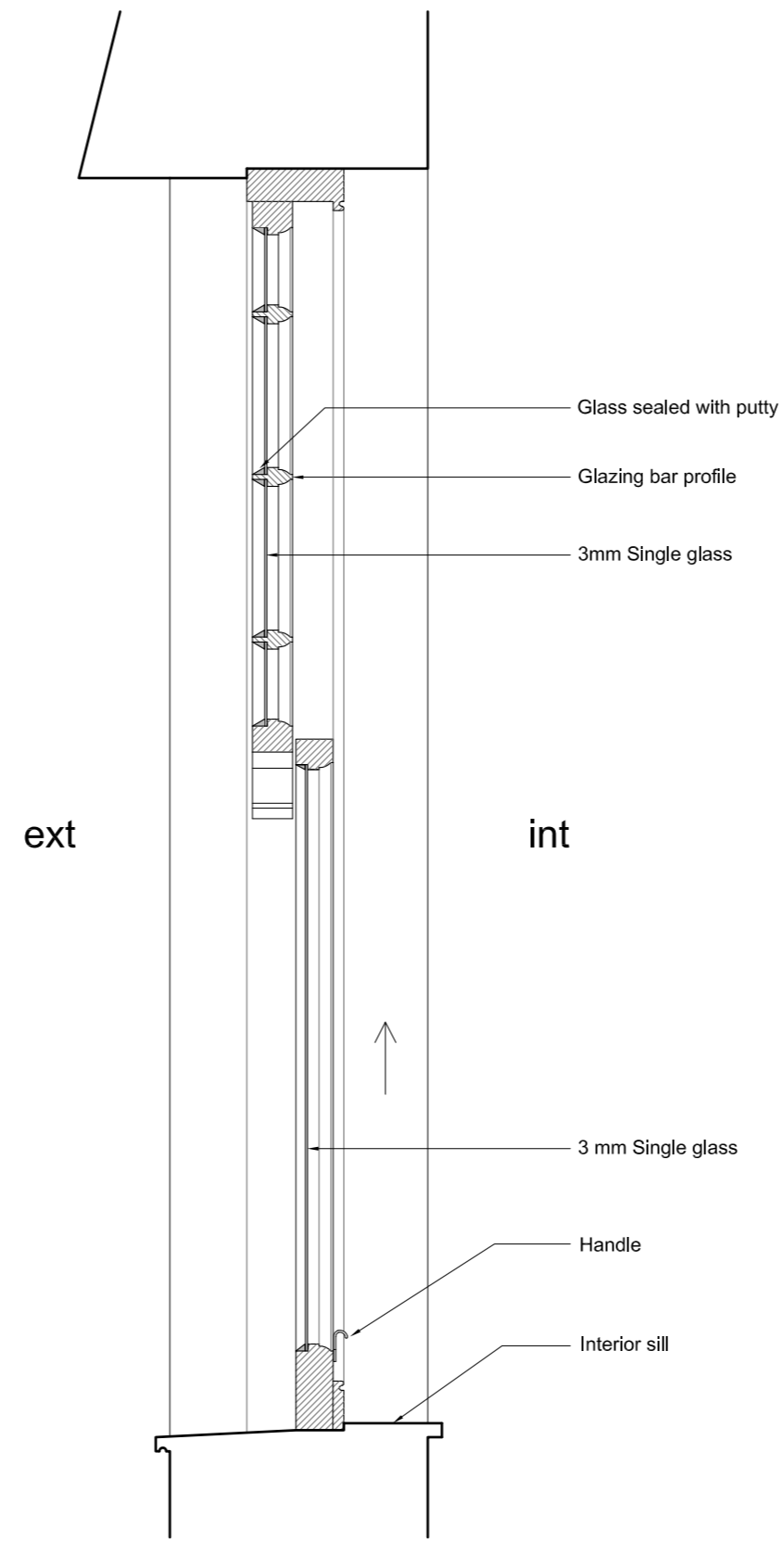


1 EXTERIOR ELEVATION
1:10@A2



2 SECTION C
1:10@A2



FLAT 4, 25 FERNCROFT AVENUE, LONDON NW3 7PG

EXISTING SASH WINDOW W2.01/W2.02

DWG No: 25FF4/S401

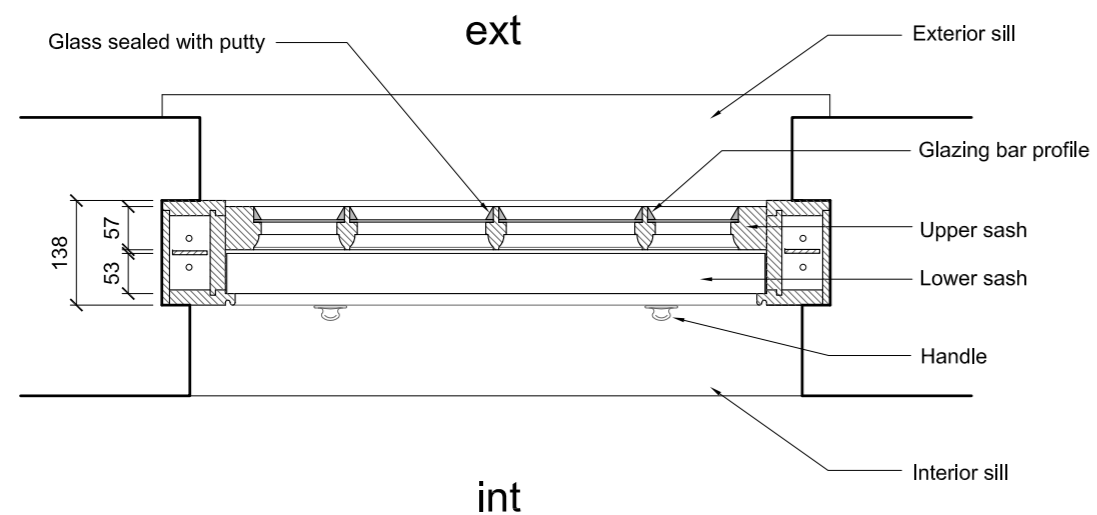
SCALE: 1 - 10 @A2

DATE: NOVEMBER 2019

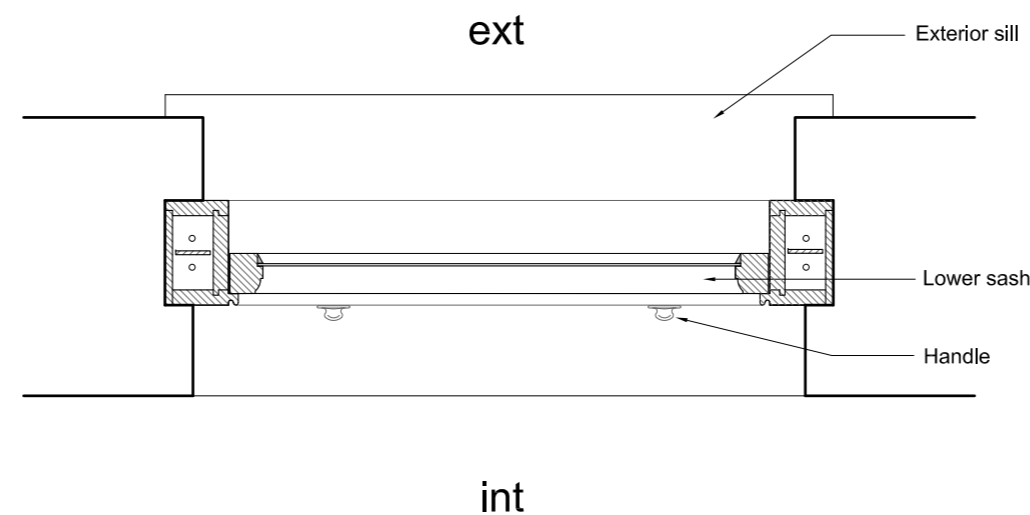
belsize
architects

48 PARK HILL ROAD, LONDON NW3 2YP
TEL 020 7482 4420 - FAX 020 7482 4186
MAIL@BELSIZEARCHITECTS.COM

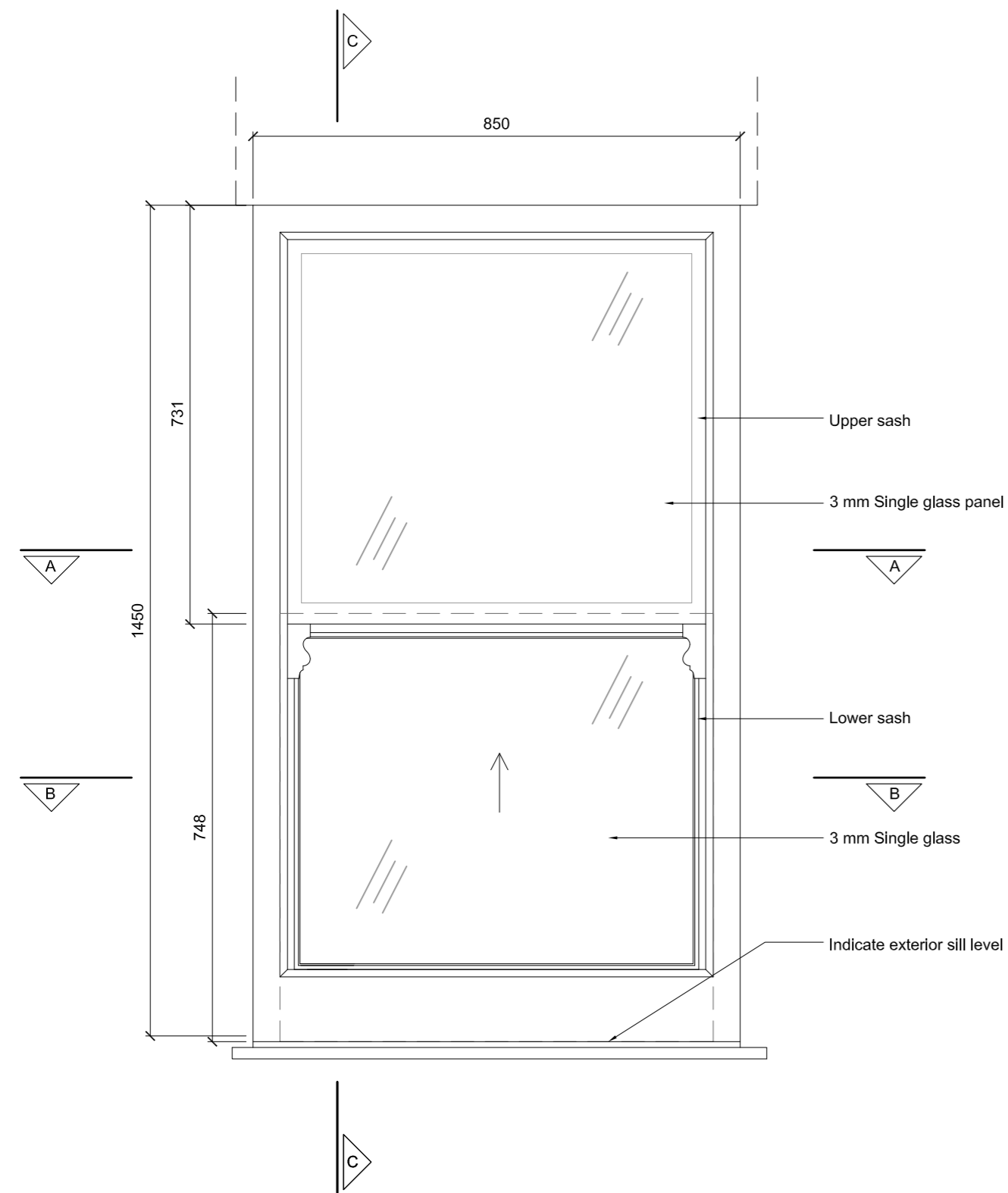
© COPYRIGHT
NOT TO BE REPRODUCED OR USED
WITHOUT PERMISSION



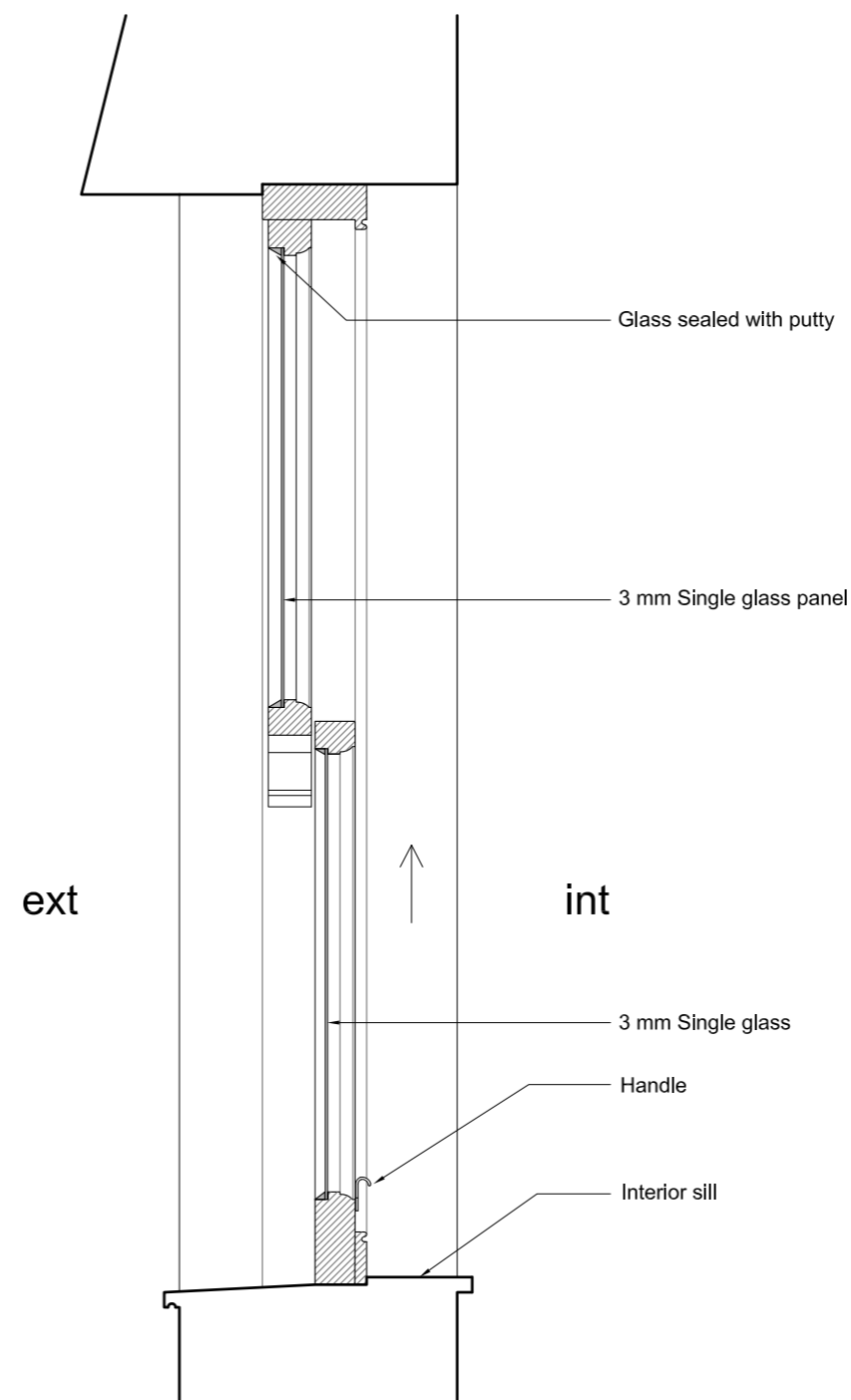
3 SECTION A
1:10@A2



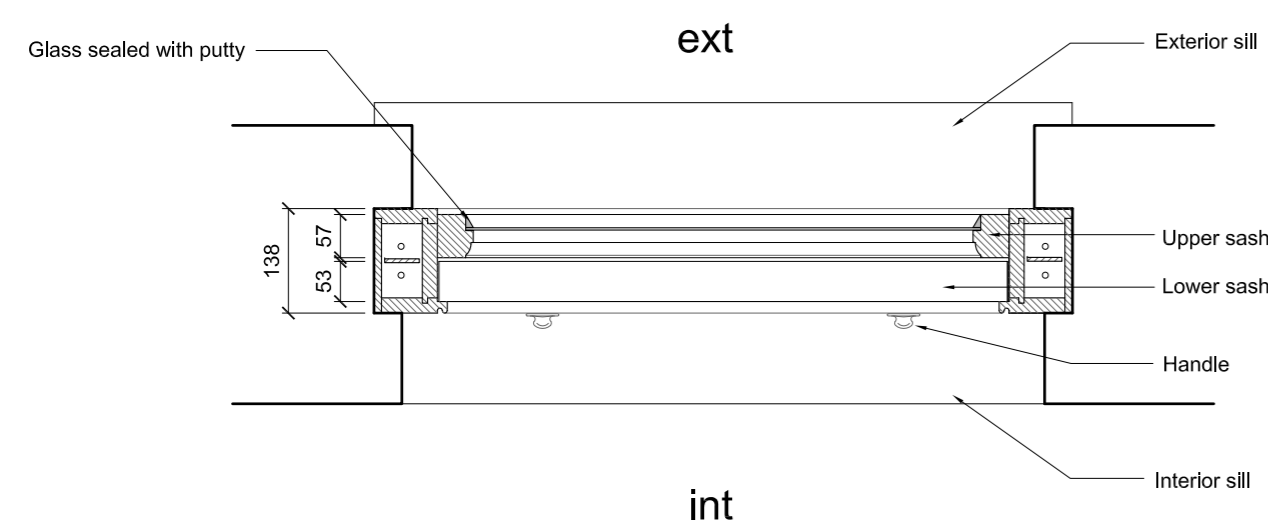
4 SECTION B
1:10@A2



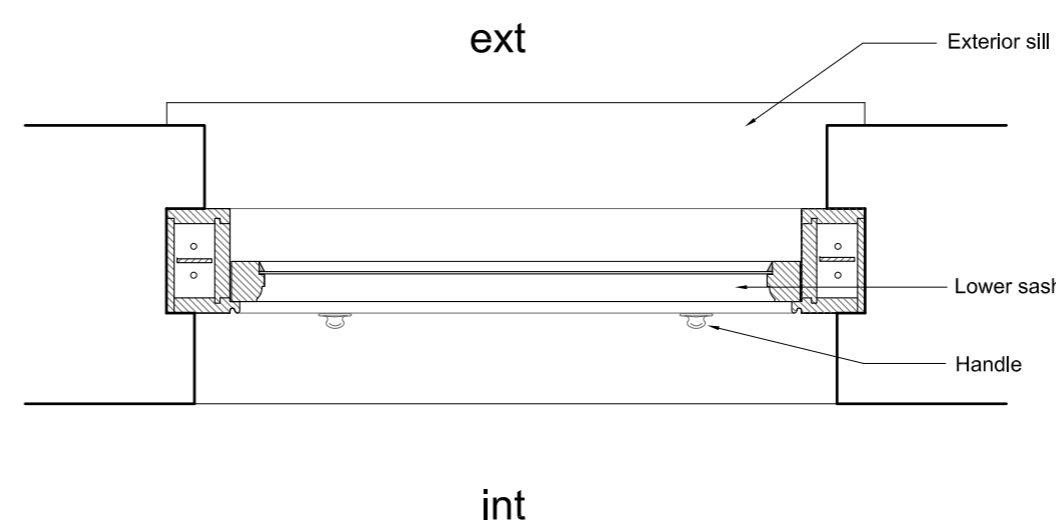
1 EXTERIOR ELEVATION
1:10@A2



2 SECTION C
1:10@A2



3 SECTION A
1:10@A2



4 SECTION B
1:10@A2

FLAT 4, 25 FERNCROFT AVENUE, LONDON NW3 7PG

EXISTING SASH WINDOW W2.03/W2.06/W2.07

DWG No: 25FF4/S402

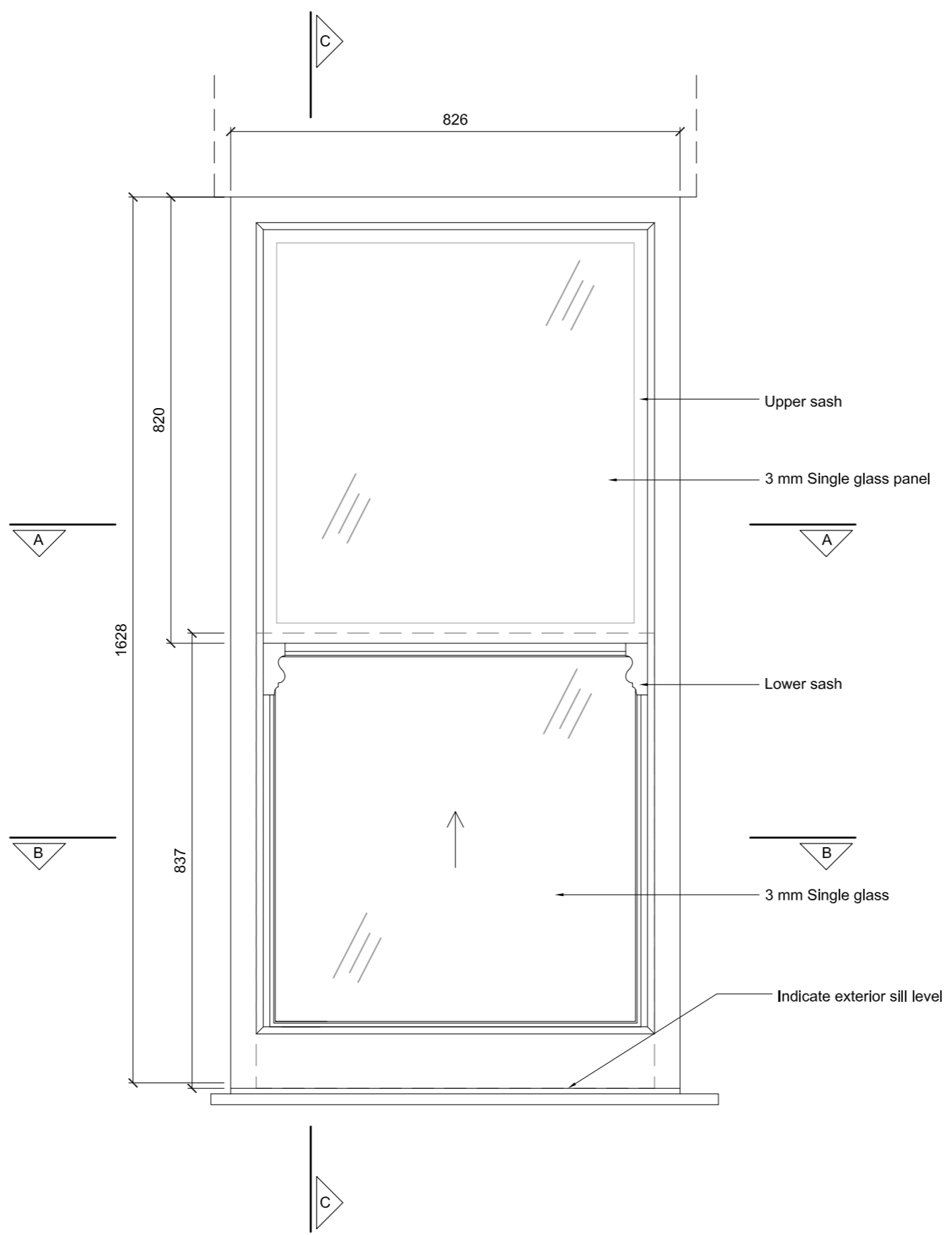
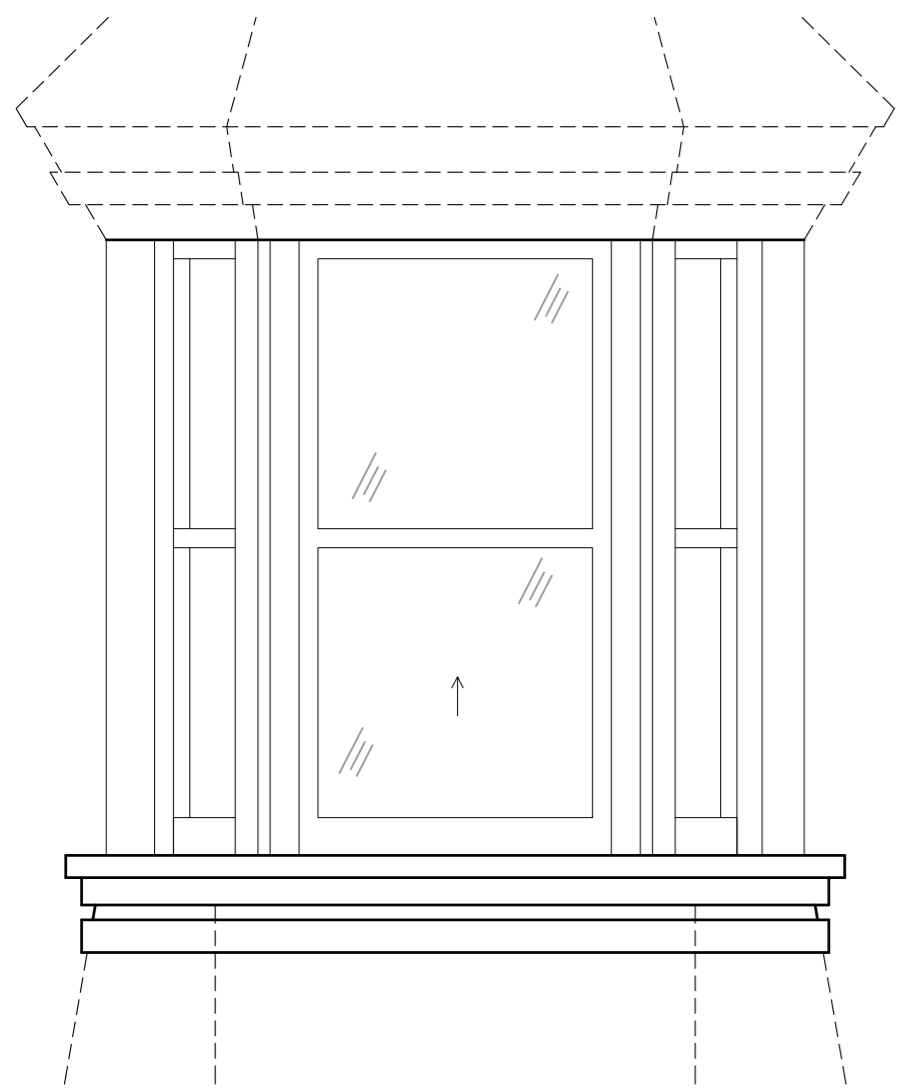
SCALE: 1 - 10 @A2

DATE: NOVEMBER 2019

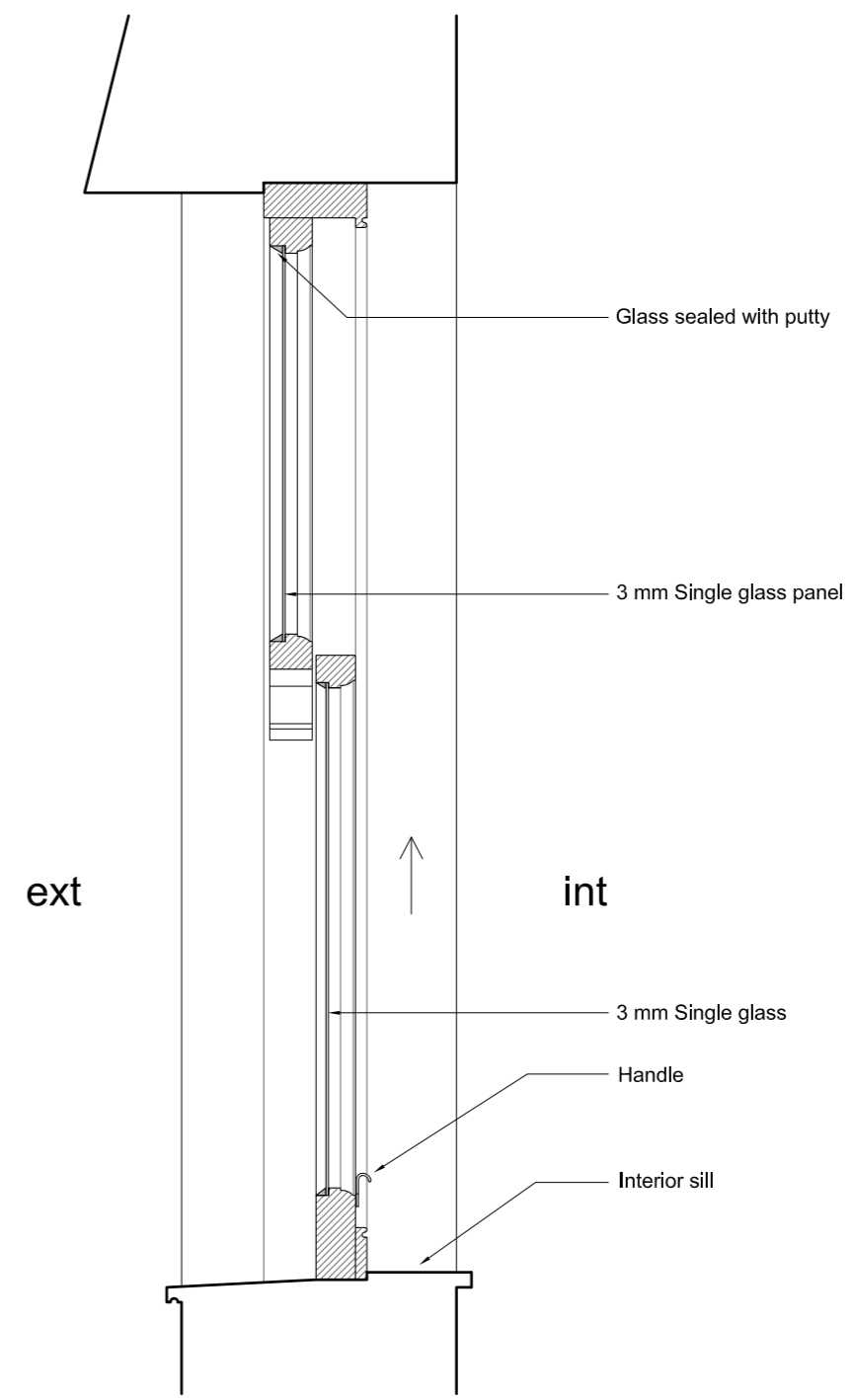
helsize
architects

48 PARK HILL ROAD, LONDON NW3 2YP
TEL 020 7482 4420 - FAX 020 7482 4186
MAIL@BELSIZEARCHITECTS.COM

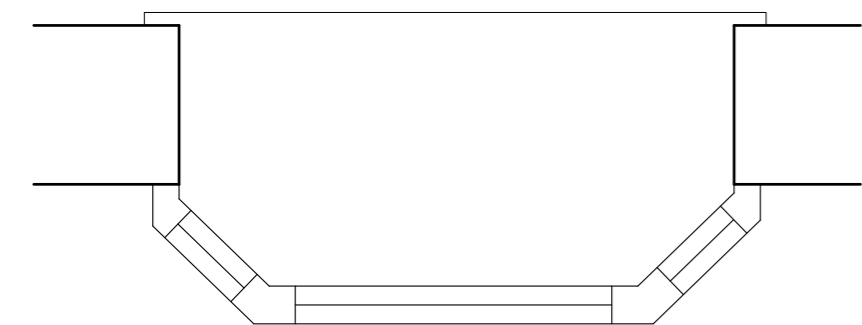
© COPYRIGHT
NOT TO BE REPRODUCED OR USED
WITHOUT PERMISSION



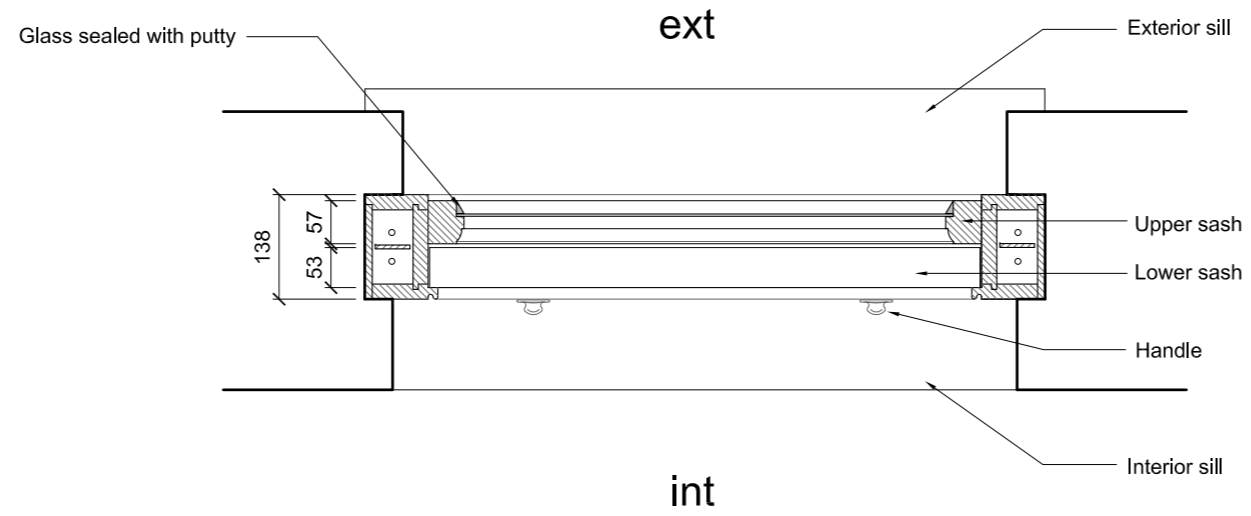
1 EXTERIOR ELEVATION
1:10@A2



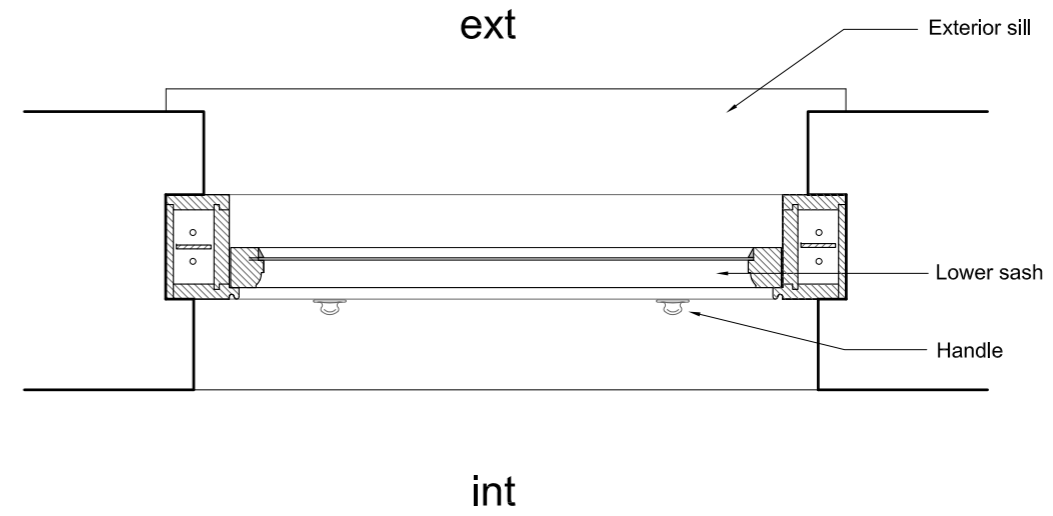
2 SECTION C
1:10@A2



5 FRONT ELEVATION AND PLAN BAY WINDOW
1:20@A2



3 SECTION A
1:10@A2



4 SECTION B
1:10@A2

FLAT 4, 25 FERNCROFT AVENUE, LONDON NW3 7PG

EXISTING SASH BAY WINDOW W2.04/W2.05

DWG No: 25FF4/S403

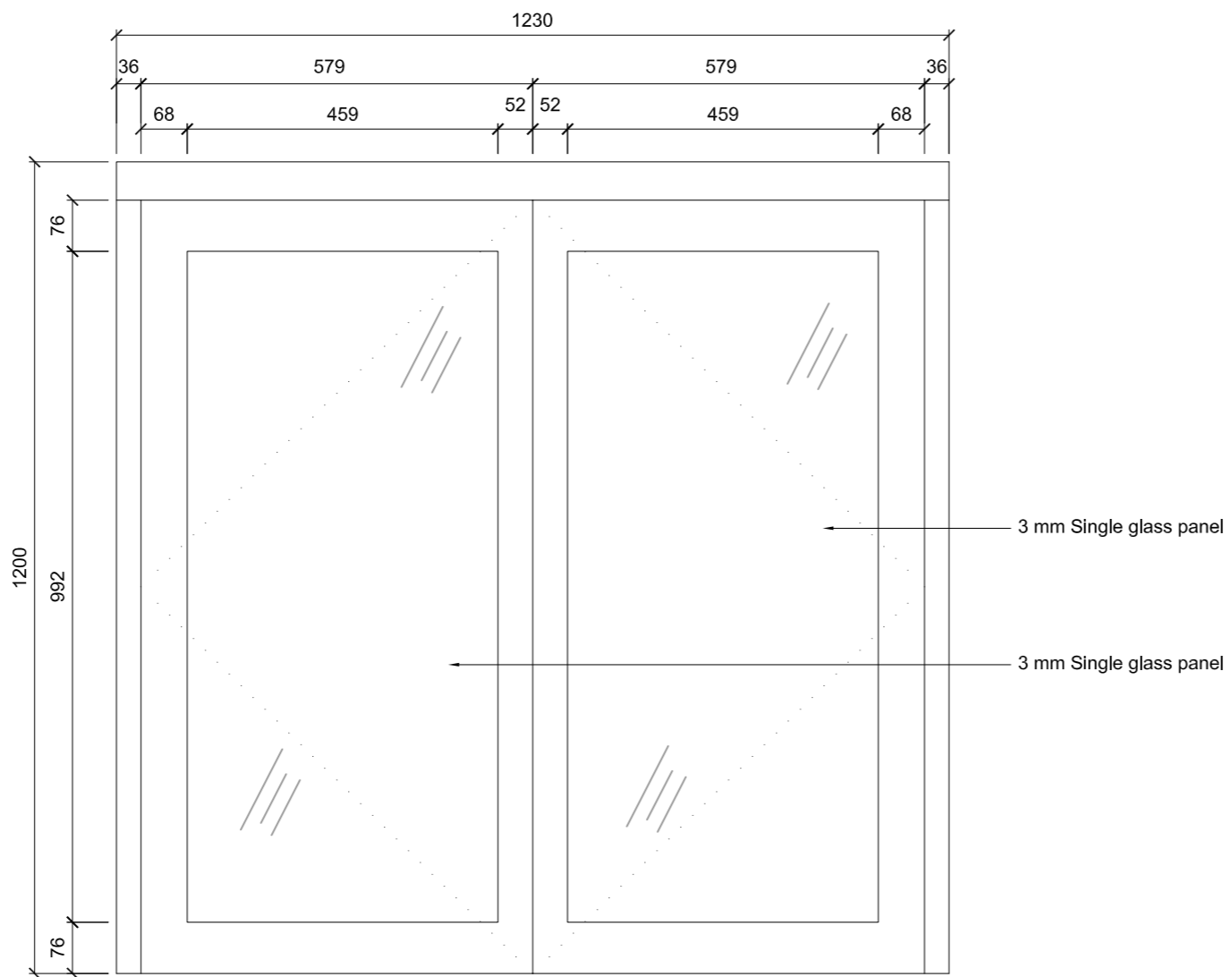
SCALE: 1 - 10 @A2

DATE: NOVEMBER 2019

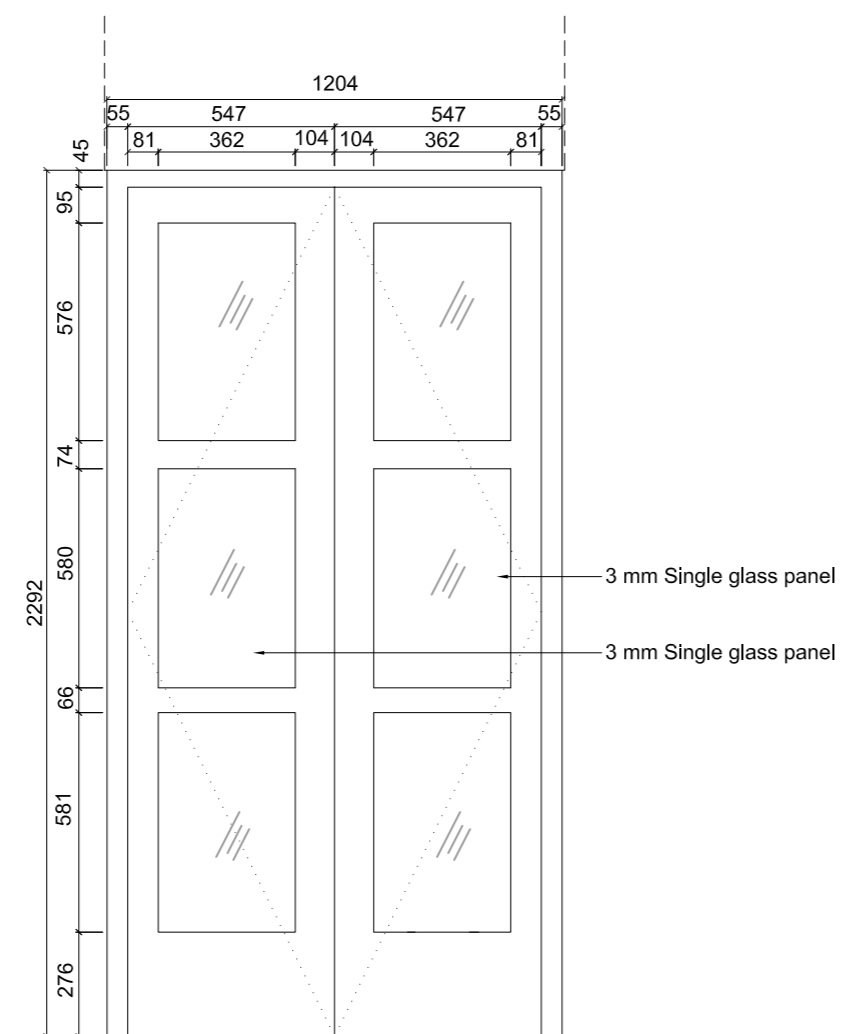
belsize
architects

48 PARK HILL ROAD, LONDON NW3 2YP
TEL 020 7482 4420 - FAX 020 7482 4186
MAIL@BELSIZEARCHITECTS.COM

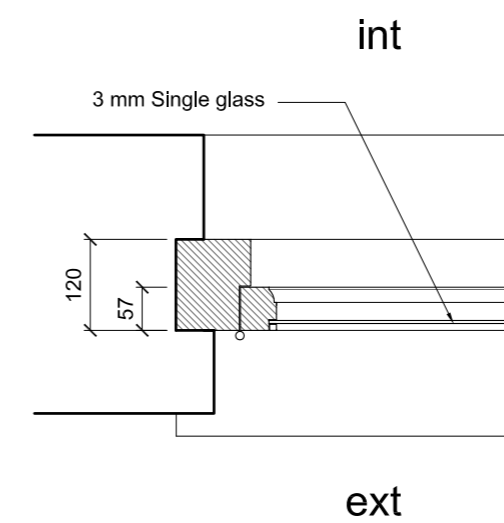
© COPYRIGHT
NOT TO BE REPRODUCED OR USED
WITHOUT PERMISSION



1 EXISTING DOUBLE SIDE HUNG WINDOW W2.09
1:10@A2



2 EXISTING DOUBLE SIDE HUNG WINDOW W2.08
1:20@A2



3 EXISTING FRAME SECTION
1:10@A2

FLAT 4, 25 FERNCROFT AVENUE, LONDON NW3 7PG

EXISTING WINDOW W2.08/W2.09

DWG No: 25FF4/S404

SCALE: 1 - 10 @A2

DATE: NOVEMBER 2019

belsize
architects

48 PARK HILL ROAD, LONDON NW3 2YP
TEL 020 7482 4420 - FAX 020 7482 4186
MAIL@BELSIZEARCHITECTS.COM

© COPYRIGHT
NOT TO BE REPRODUCED OR USED
WITHOUT PERMISSION