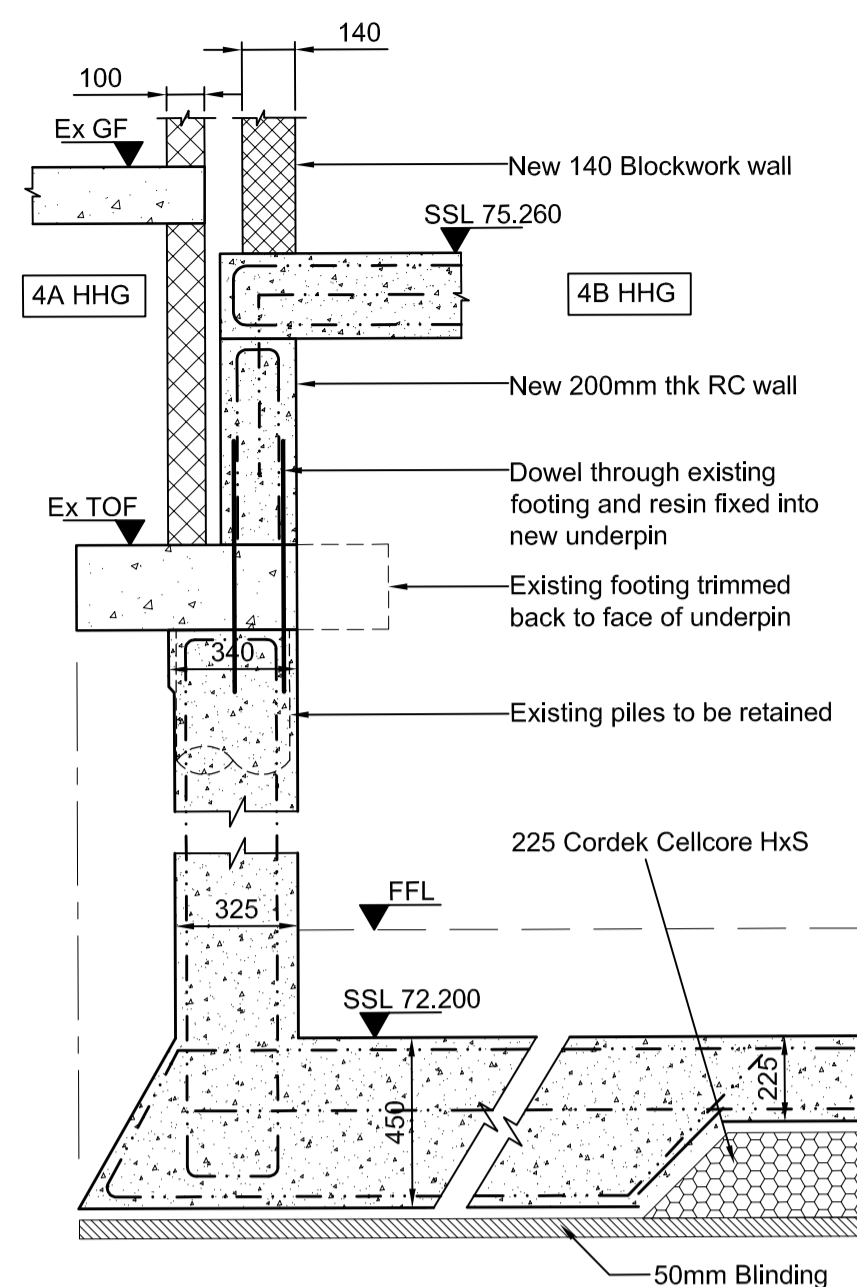


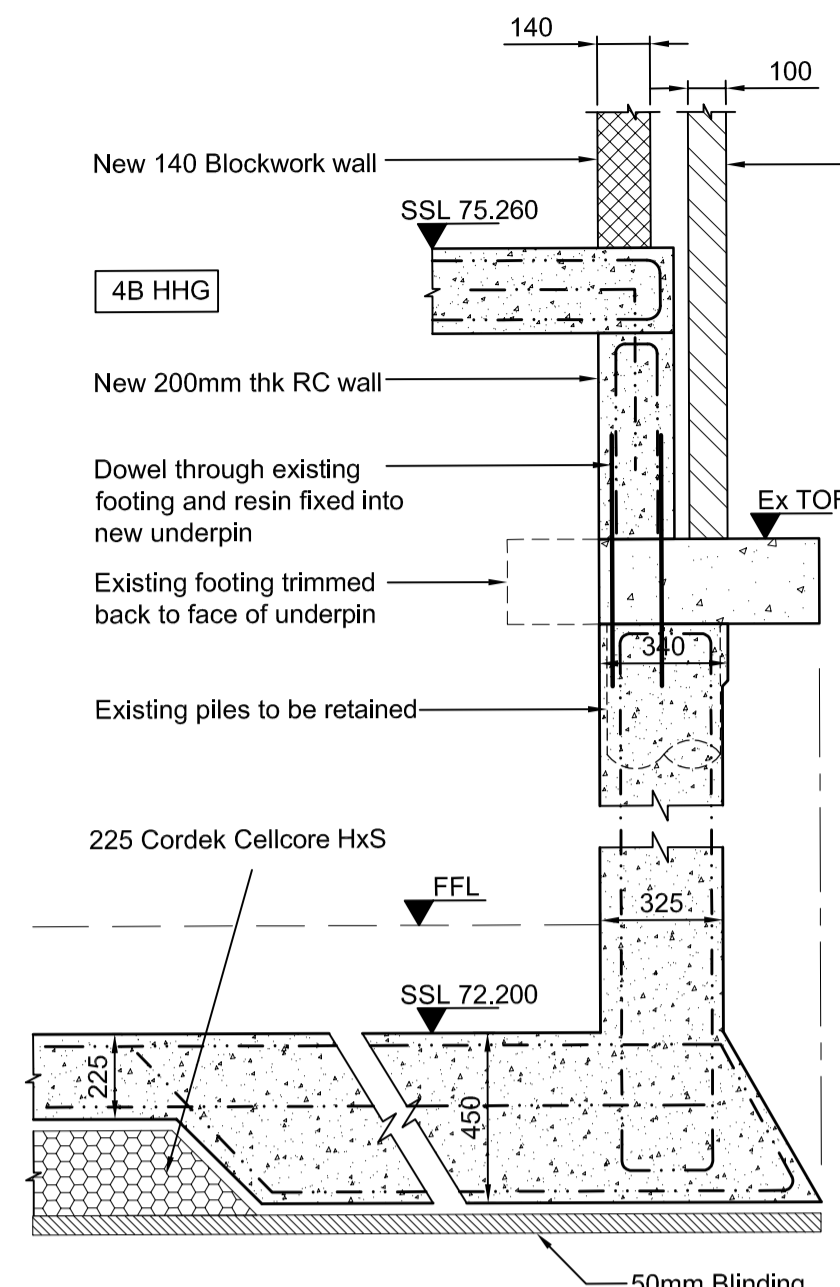
**Existing Section**

Scale 1:20



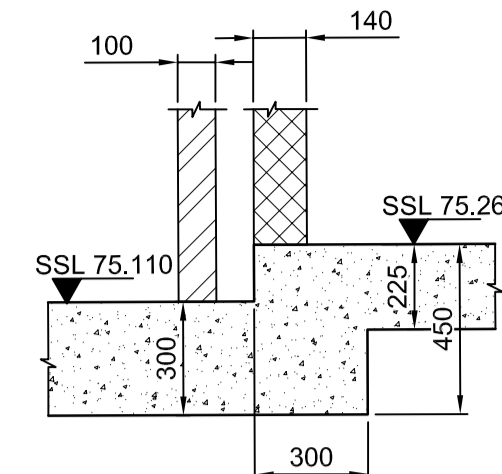
**Section A-A**

Scale 1:20



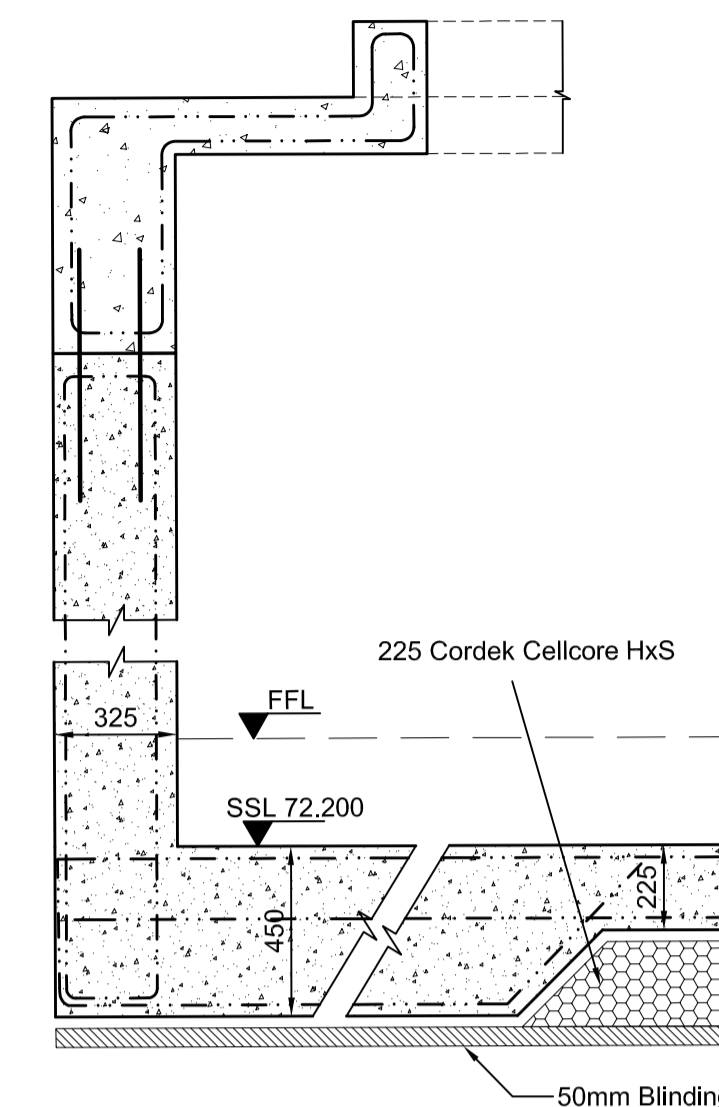
**Section C-C**

Scale 1:20



**Section B-B**

Scale 1:20



**Section D-D**

Scale 1:20



**Key Plan**

Scale 1:500

P4	Section D updated	11.11.19	KHD
P3	SSL change	31.05.19	KHD
P2	General update	24.05.19	KHD
P1	Issued for Comment	10.05.19	KHD

REV	COMMENTS	DATE	CHK

## COMMENTS

**mnp**  
**mason navarro pledge**  
 Consulting Civil and Structural Engineers  
 Bancroft Court  
 Hitchin  
 Hertfordshire, SG5 1LH  
 Telephone: 01462 632012  
 Email: office@mnp.co.uk  
 www.mnp.co.uk

CLIENT  
**Mr & Mrs BREARLEY**

PROJECT  
**4b HAMPSTEAD HILL GARDENS  
 LONDON  
 NW3 2PI**

DRAWING TITLE  
**SUBSTRUCTURE DETAILS**

SCALE	DRAWN BY	DATE
1:50	AB	25.04.19
DRAWING NO.	REV	
<b>218136-S- D300</b>	<b>P4</b>	