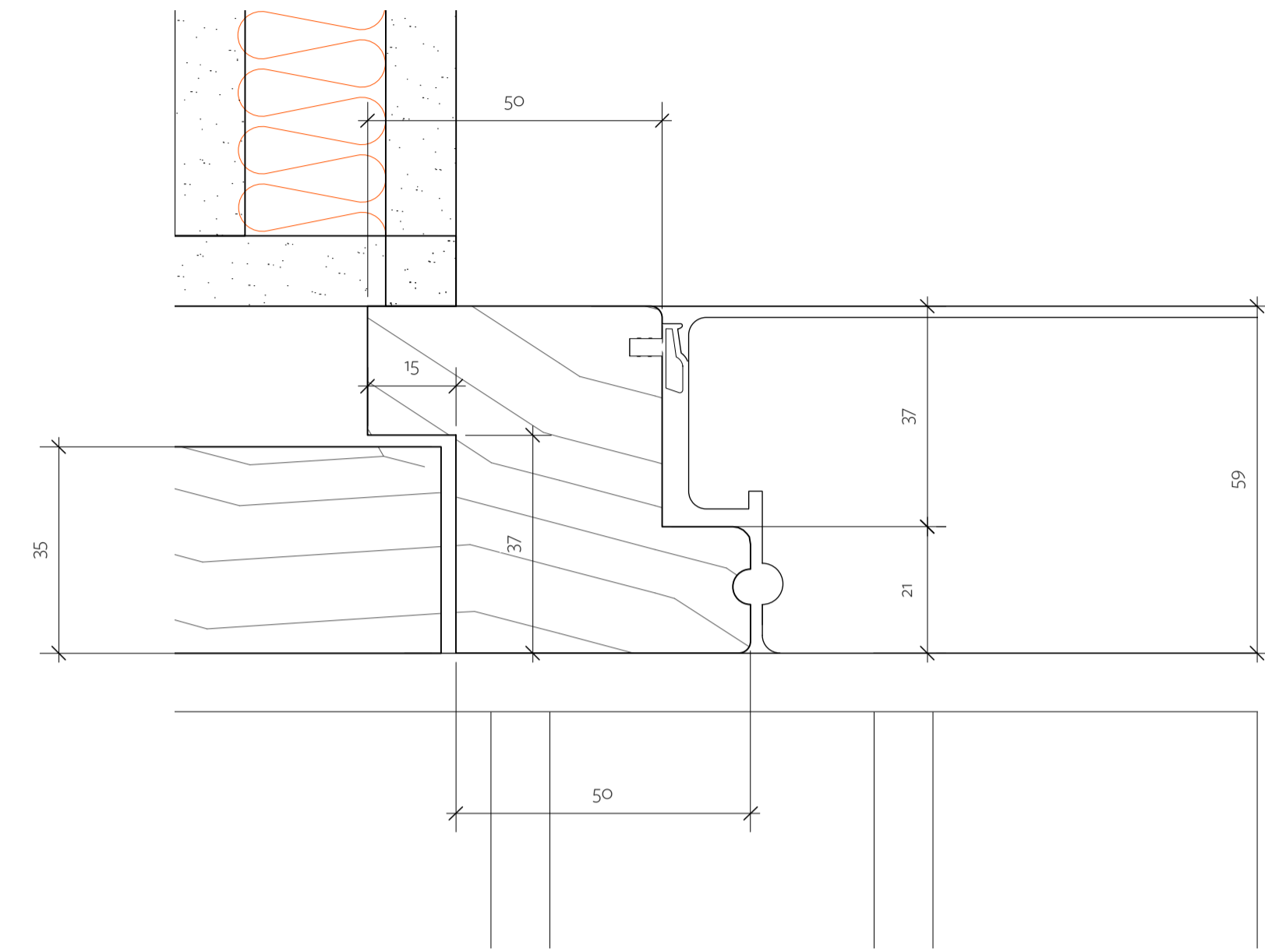
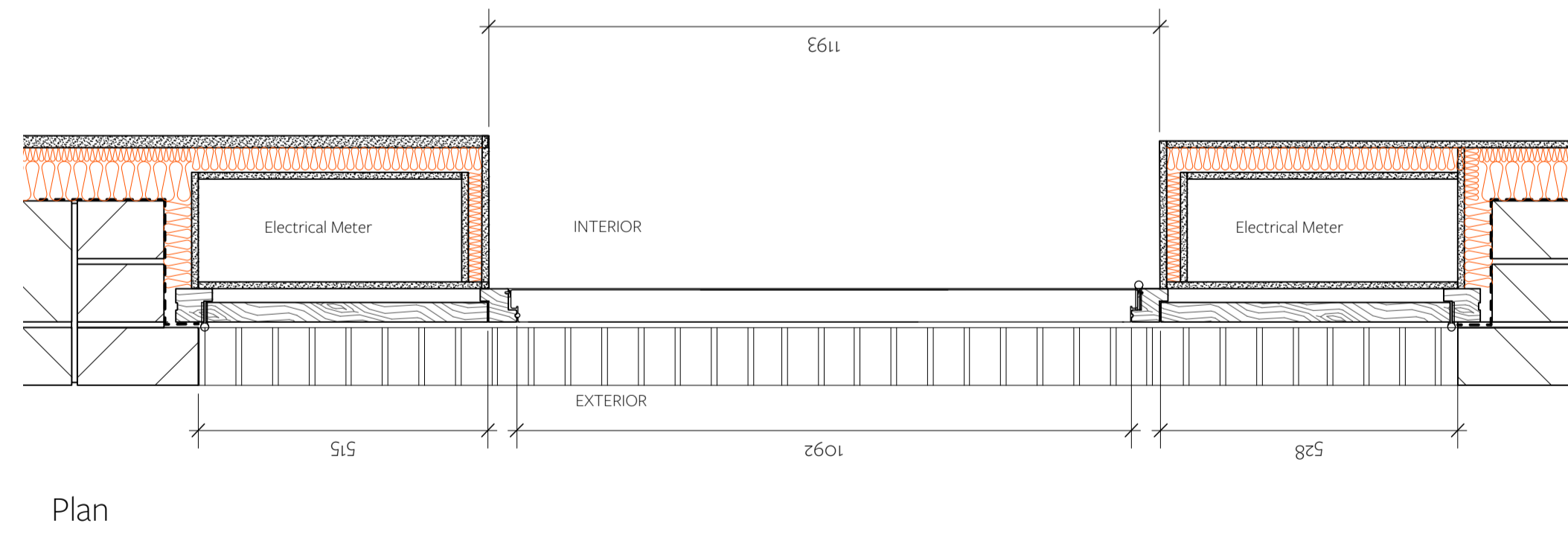
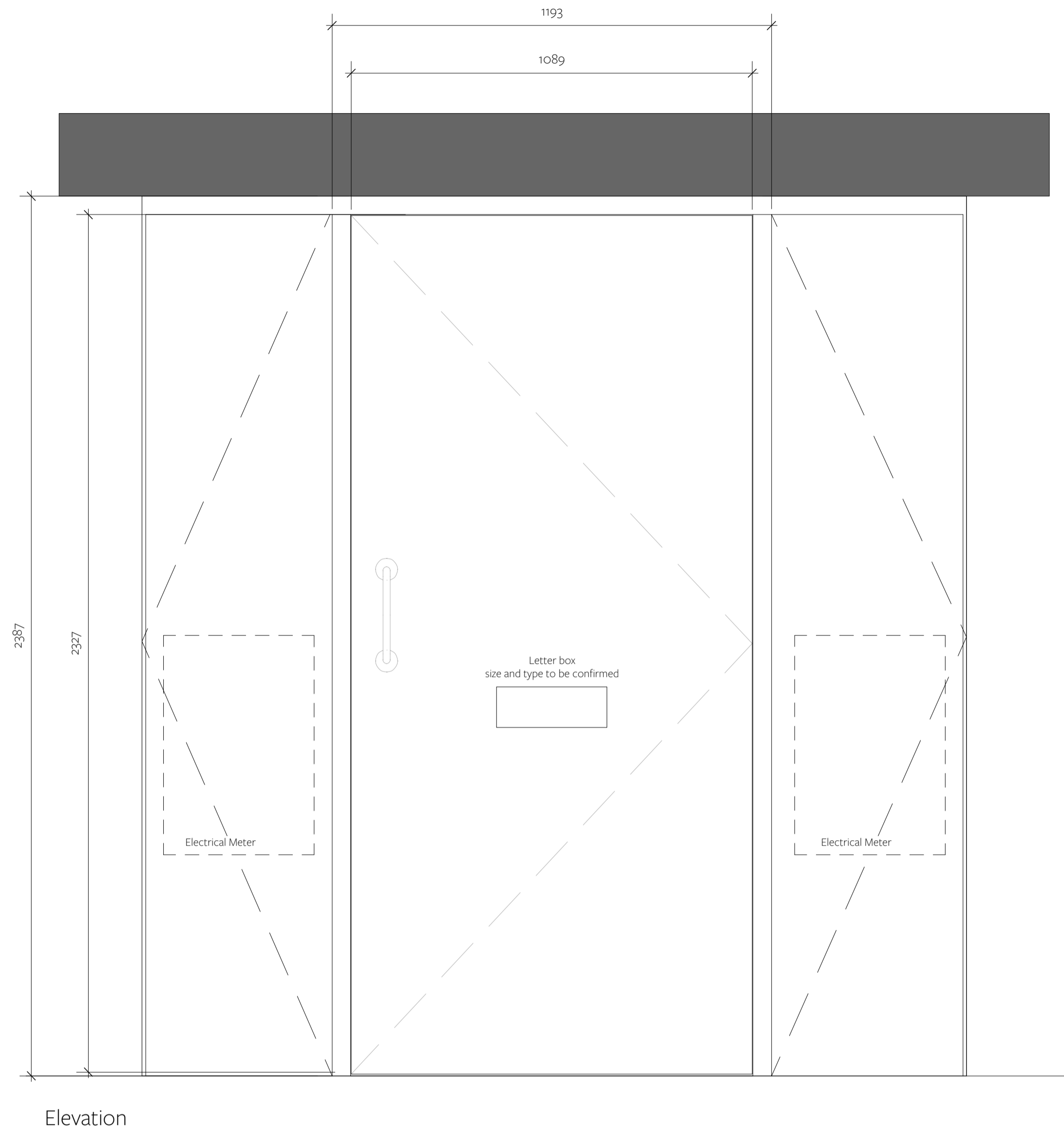
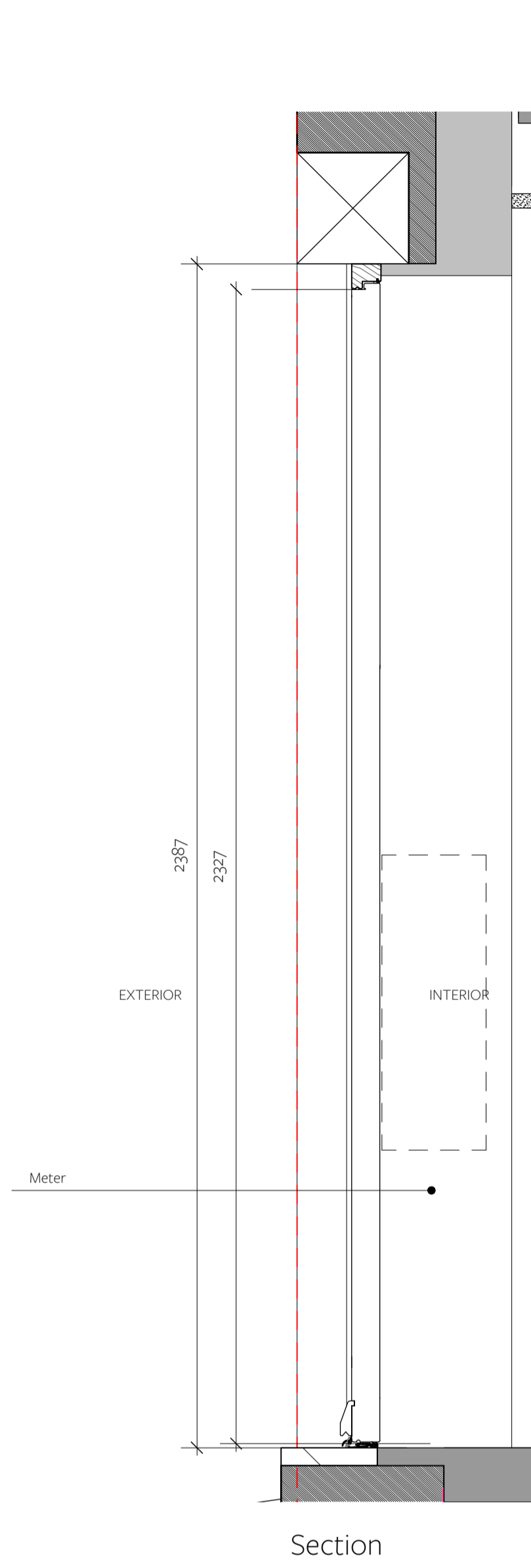


**D00.01**  
External door detail  
1:10 @ A1, 1:20 @ A3



TYPICAL DOOR JAMB DETAIL 1:1

For Tender		
Drawn by	Checked by	Date
AD	PAH	May 19

Information contained within this drawing is the sole copyright of TA Ltd and is not to be reproduced without express permission. No implied license exists. This drawing not to be used for land transfer or valuation purposes. Do not scale from this drawing. All dimensions & levels are to be checked on site by the contractor. Issues for purposes indicated only. Drawing errors and omissions to be reported to the architect.

Issue	Date	Description
01	19.06.2019	Issued for information
C1	31.07.2019	Construction issue updated to KRAUS comment

