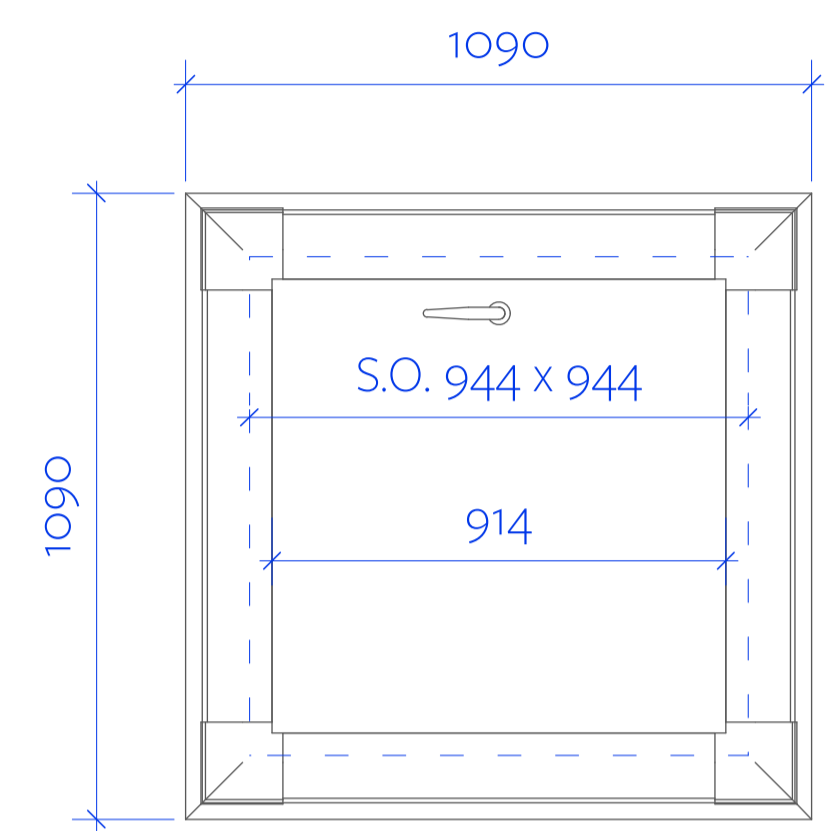
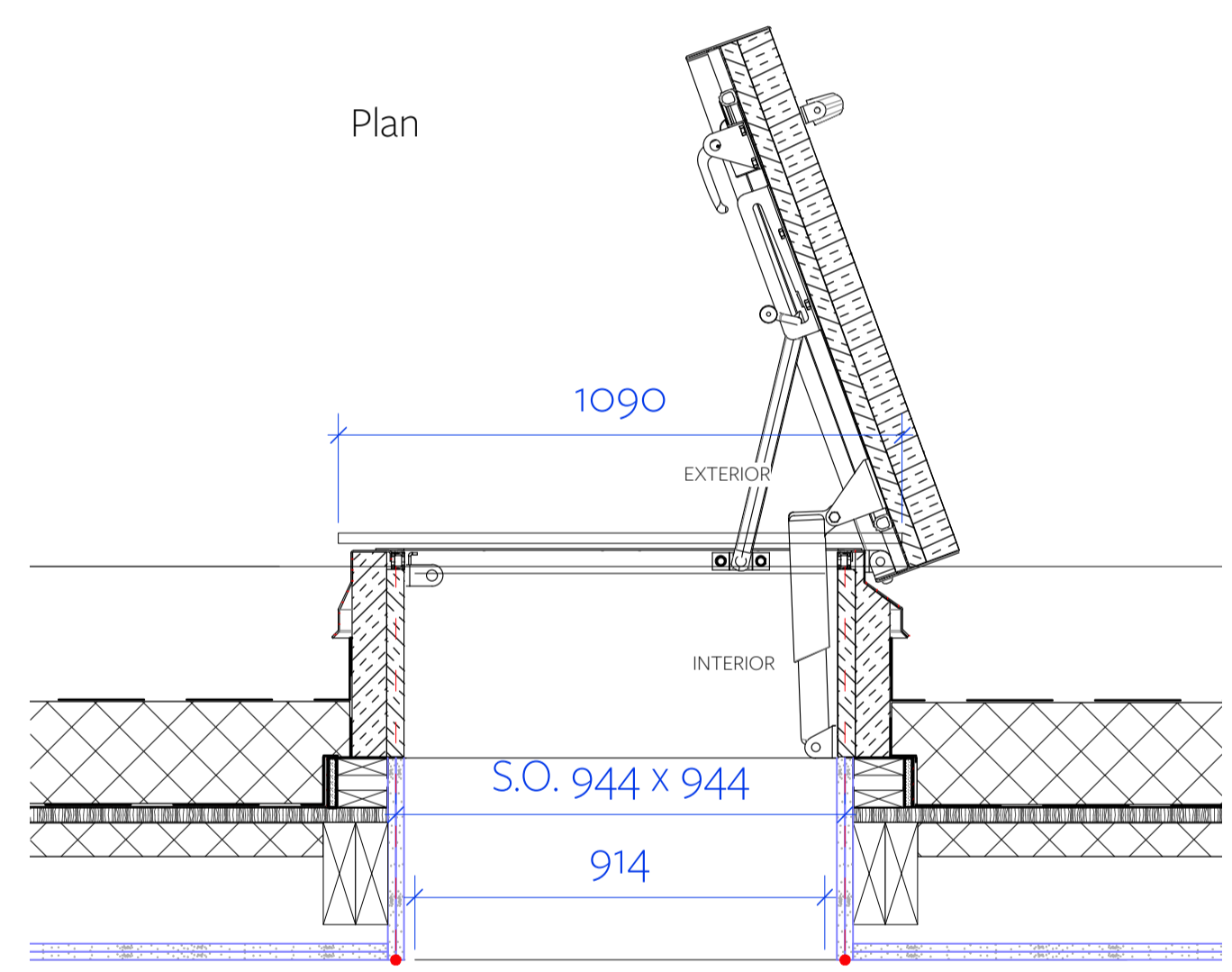


**WRF 101**  
 Roof Access Detail  
 Located on 1st Floor Roof and Roof Top  
 1:10 @ A1, 1:20 @ A3



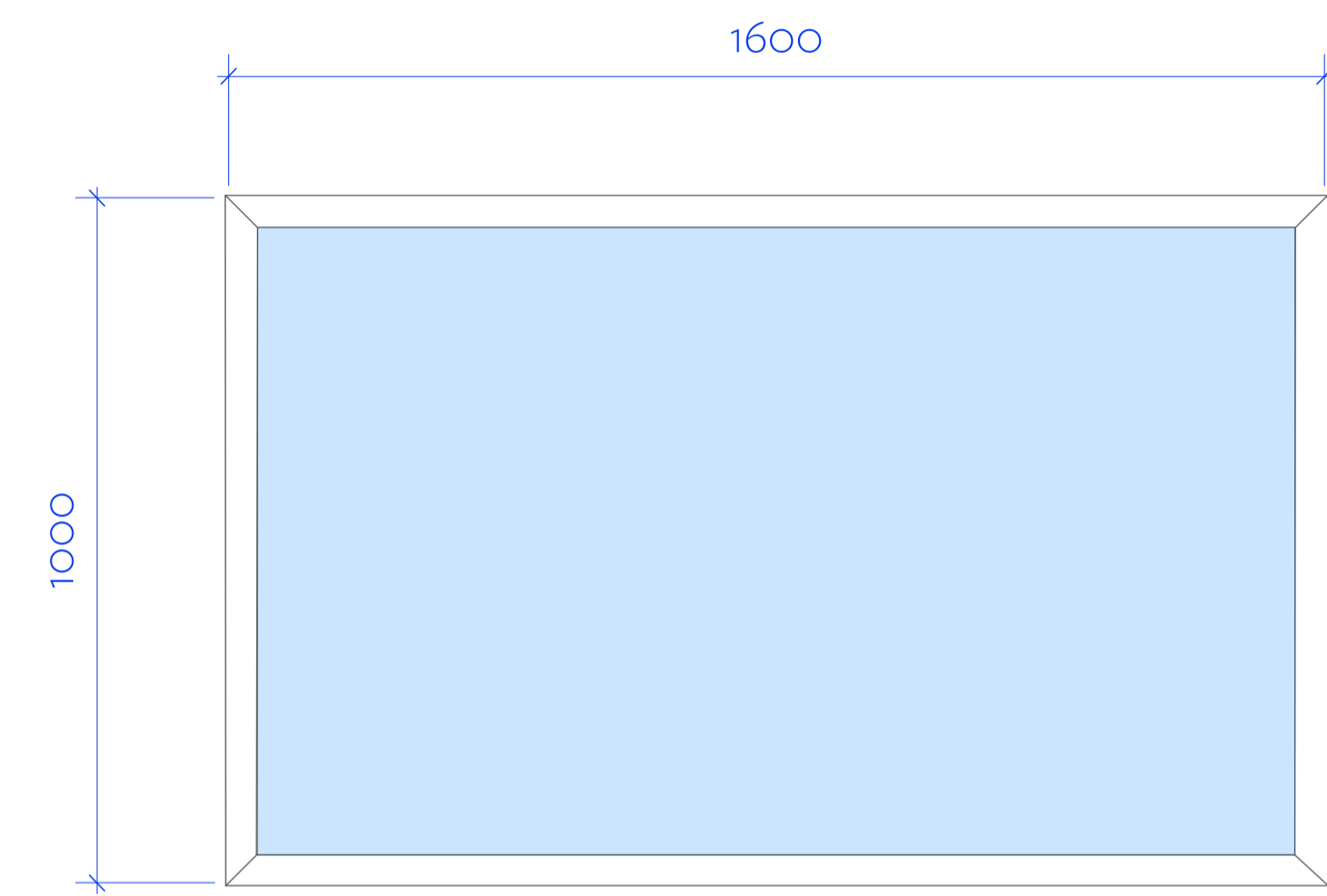
Plan



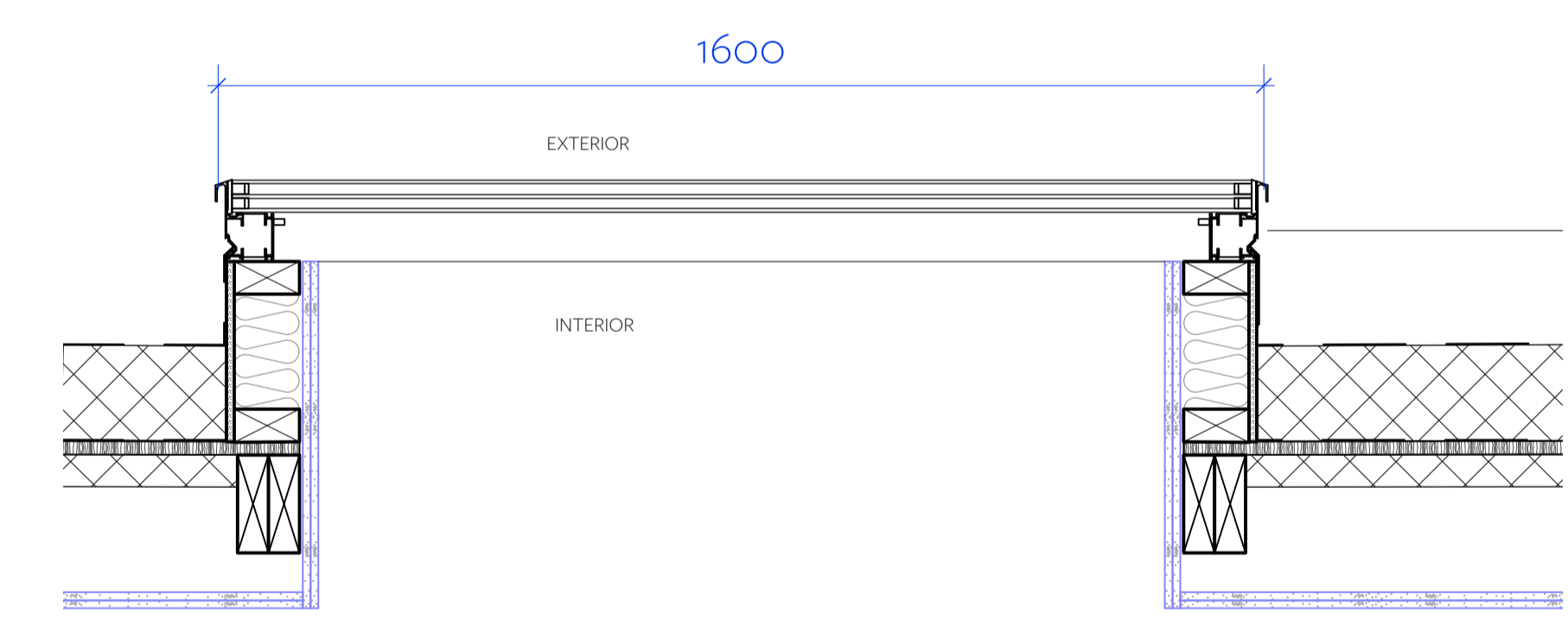
Section

**WRF2.02**  
 Window Detail  
 1:10 @ A1, 1:20 @ A3

Aluminium profiles  
 Colour RAL 7021



Plan



Section

For Tender		
Drawn by	Checked by	Date
AP	PAH	May 19

Information contained within this drawing is the sole copyright of TA Ltd and is not to be reproduced without express permission. No implied license exists. This drawing not to be used for any transfer or valuation purposes. Do not scale from this drawing. All dimensions & levels are to be checked on site by the contractor. Issues for purposes indicated only. Drawing errors and omissions to be reported to the architect.

Description		
11	19.06.2019	Issued for information
C1	31.07.2019	Construction issue updated to KRAUS comments
C2	09.10.2019	Updated to KRAUS comments

