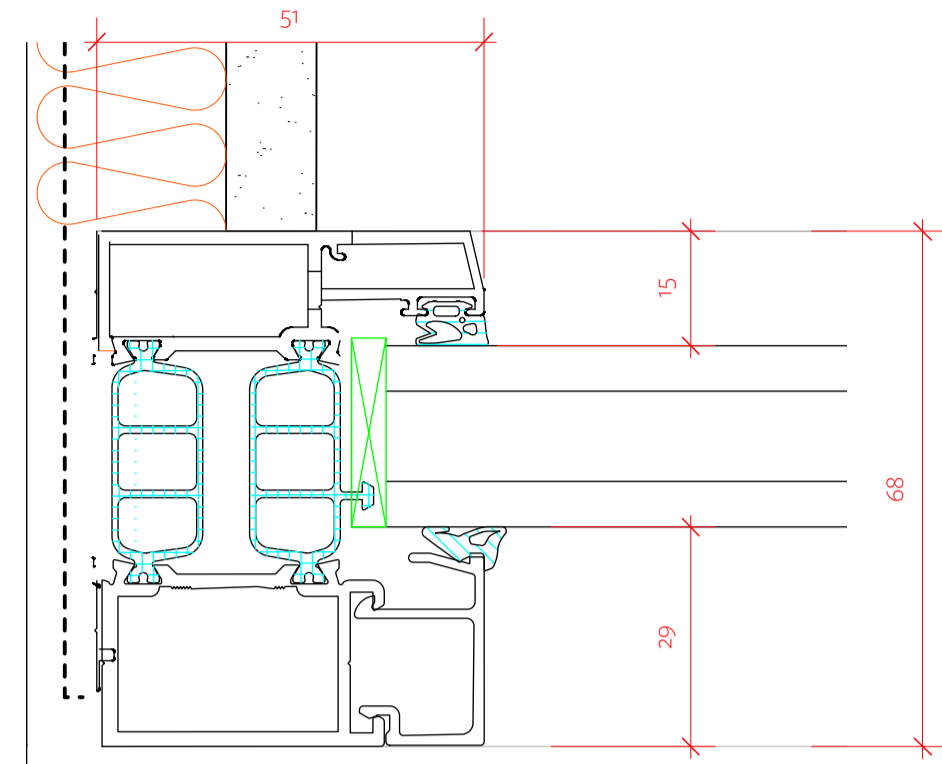
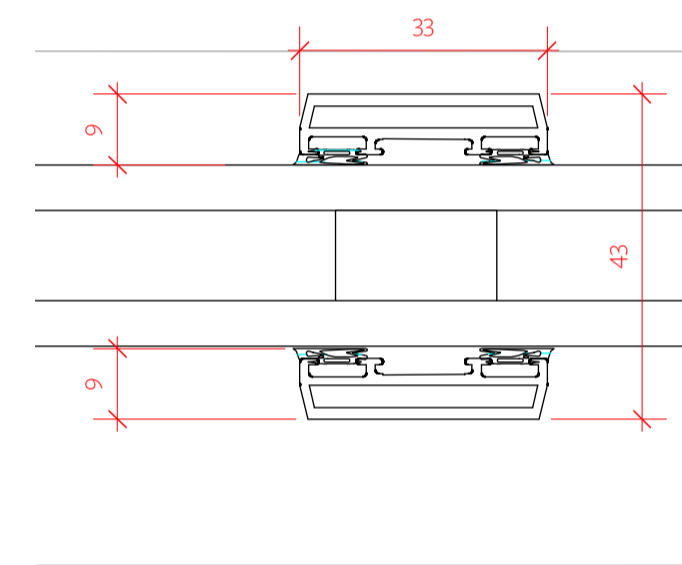


**W02.02c**  
Window Detail  
1:10 @ A1, 1:20 @ A3

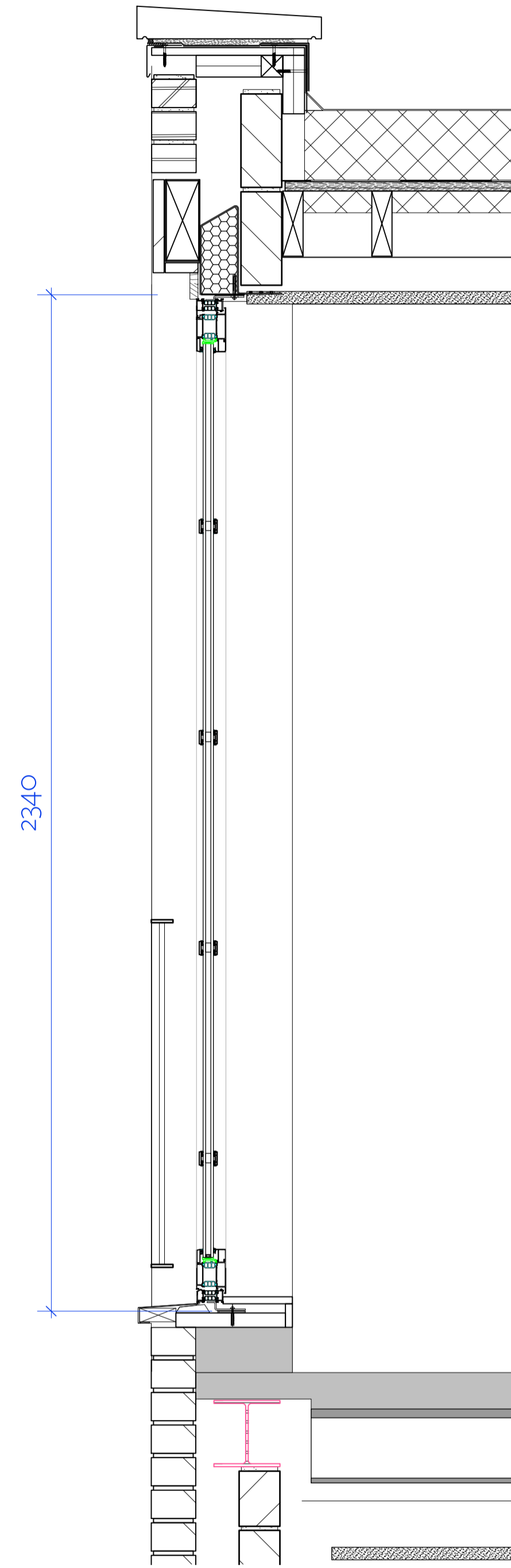
New Crittal Style Window  
Aluminium profiles and plant on beads  
Colour RAL 7021



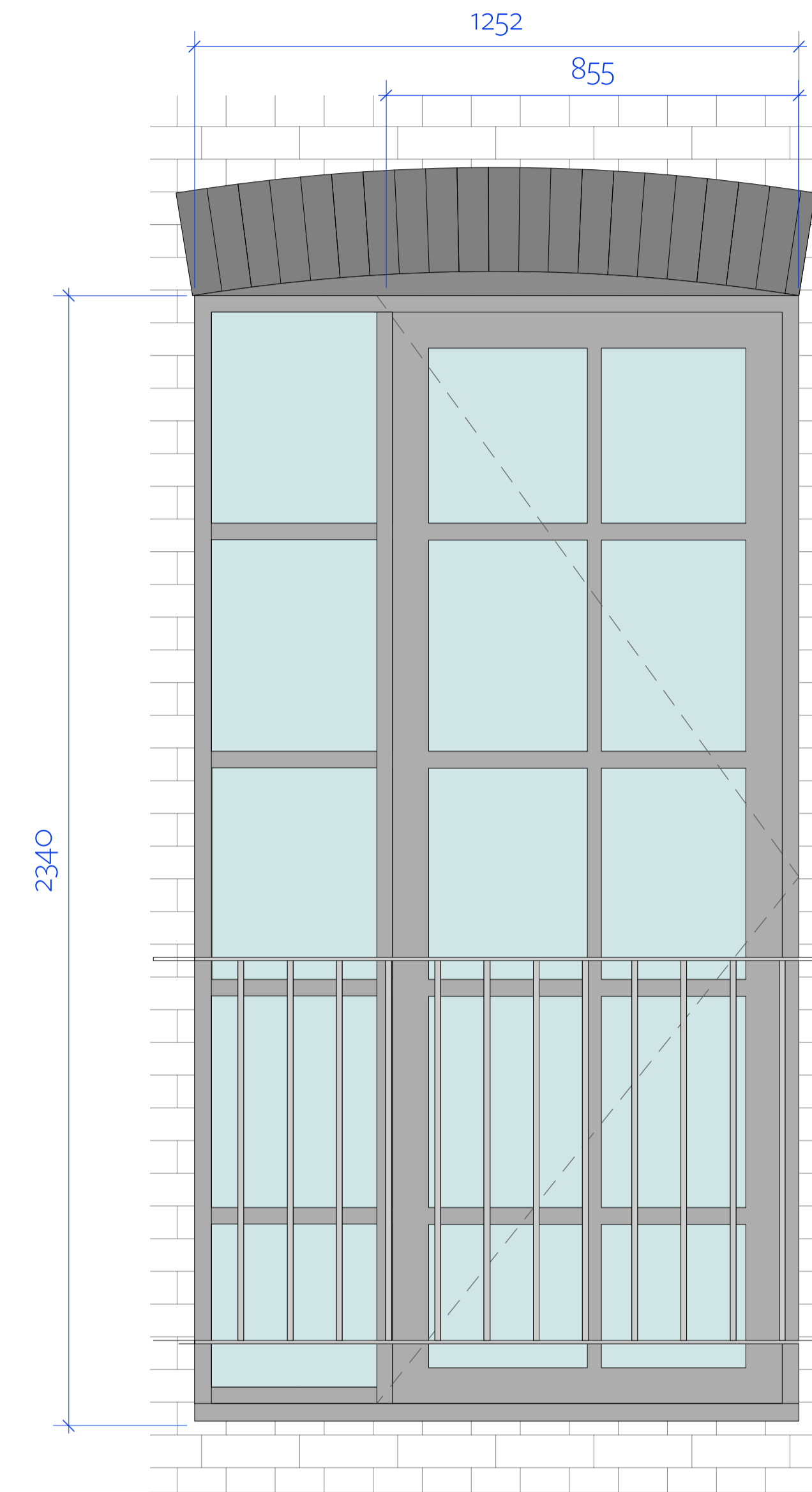
TYPICAL ALUMINIUM FRAME DETAIL 1:1



TYPICAL ALUMINIUM BEAD DETAIL 1:1

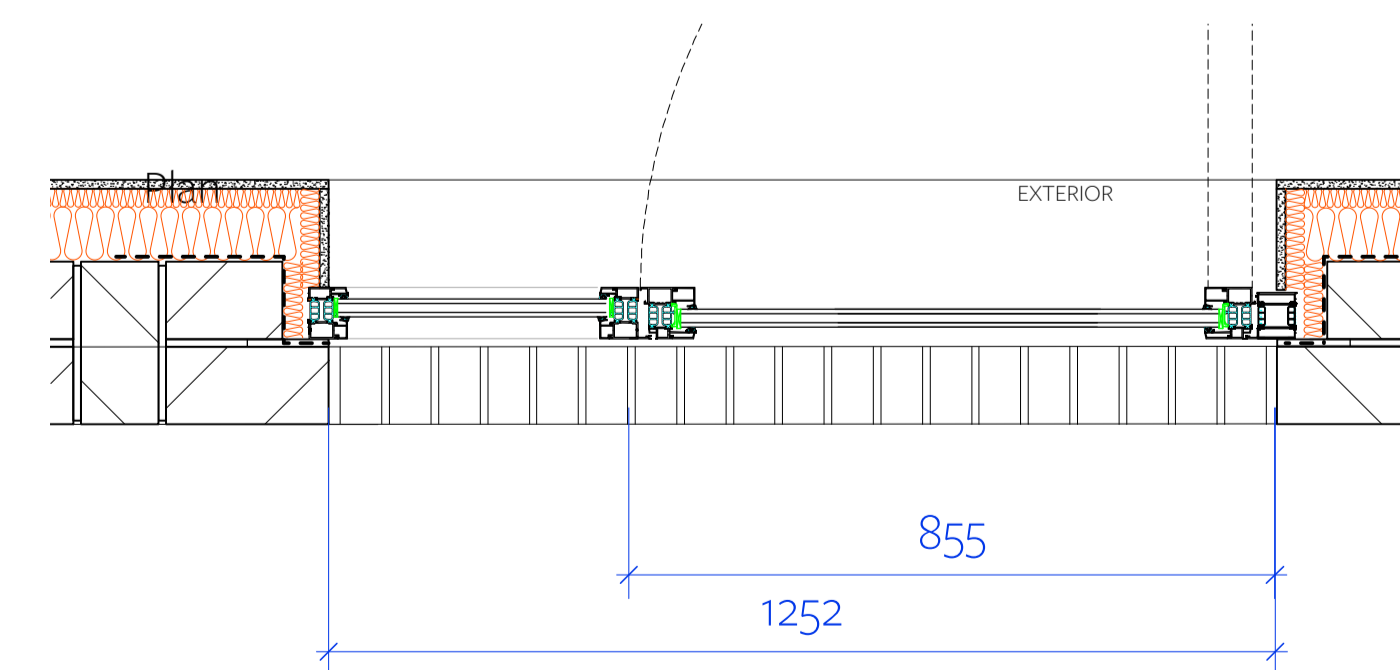


Section



Elevation

INTERIOR



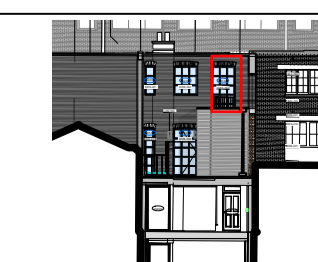
Plan

EXTERIOR

For Tender		
Drawn by	Checked by	Date
AP	PAH	May 19

Information contained within this drawing is the sole copyright of TA Ltd and is not to be reproduced without express permission. No implied license exists. This drawing not to be used for any transfer or valuation purposes. Do not scale from this drawing. All dimensions & levels are to be checked on site by the contractor. Issued for purposes indicated only. Drawing errors and omissions to be reported to the architect.

Description		
01	19.06.2019	Issued for information
C1	31.07.2019	Construction issue updated to KRAUS comments
C2	09.10.2019	Updated to KRAUS comments



Code	092
Scale	1:10 @ A1, 1:20 @ A3
Drawing Title	Proposed Window Details 08
Drawing Number	092 - dW08 - C2