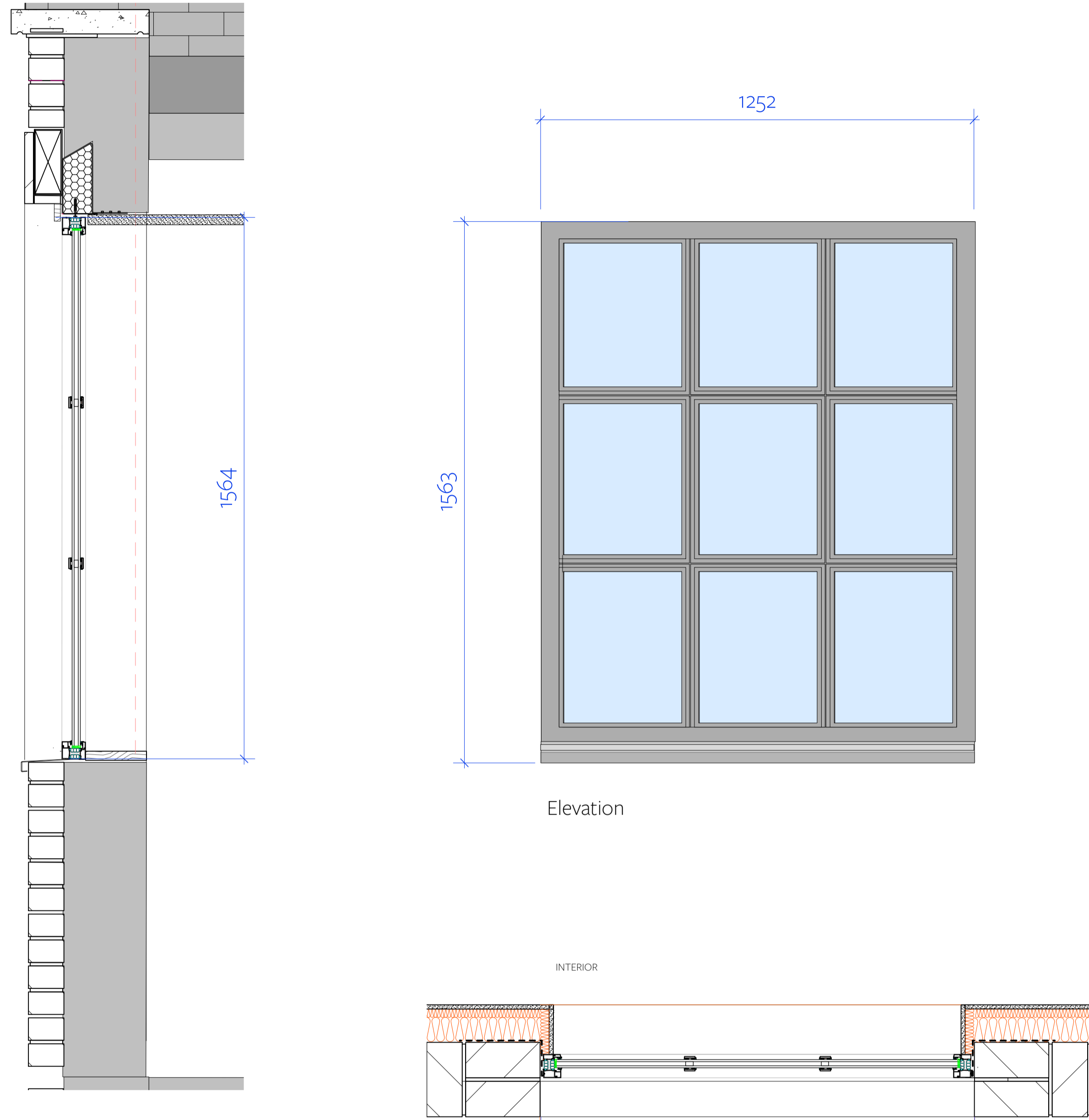


W02.02b

Window Detail
1:10 @ A1, 1:20 @ A3

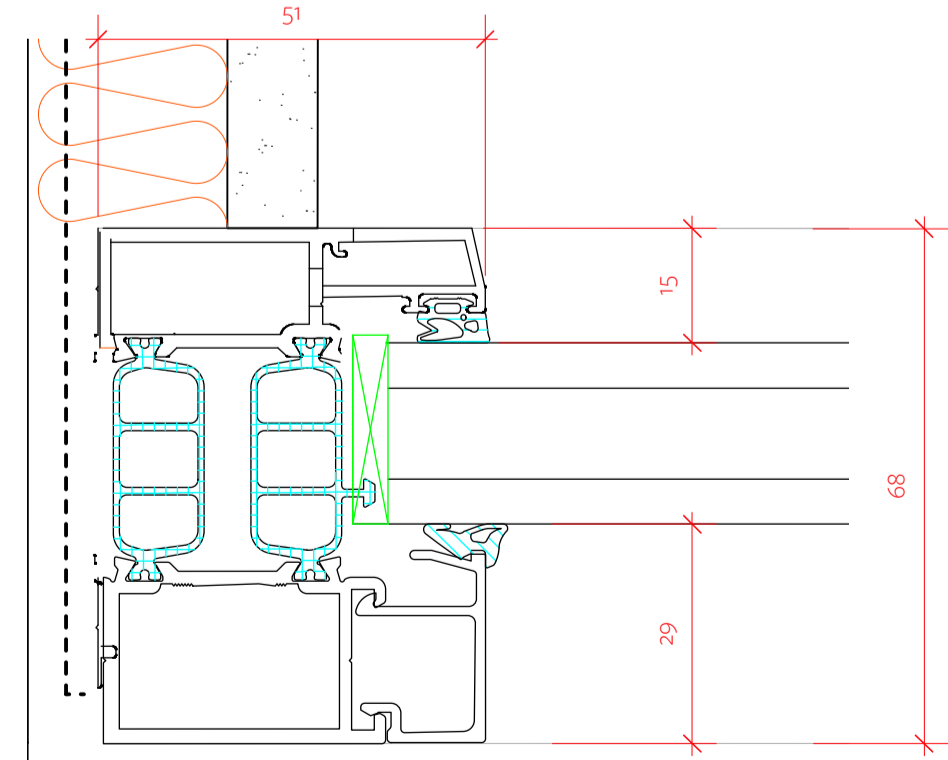
New Crittal Style Window
Aluminium profiles and plant on beads
Colour RAL 7021



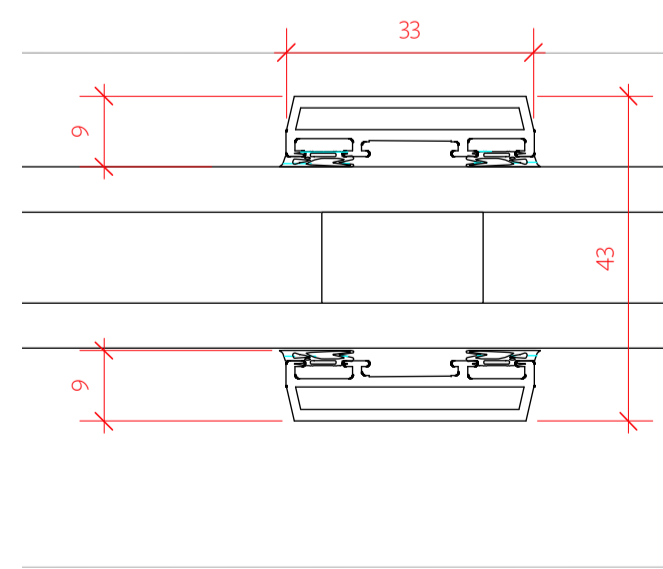
Section

Elevation

Plan



TYPICAL ALUMINIUM FRAME DETAIL 1:1

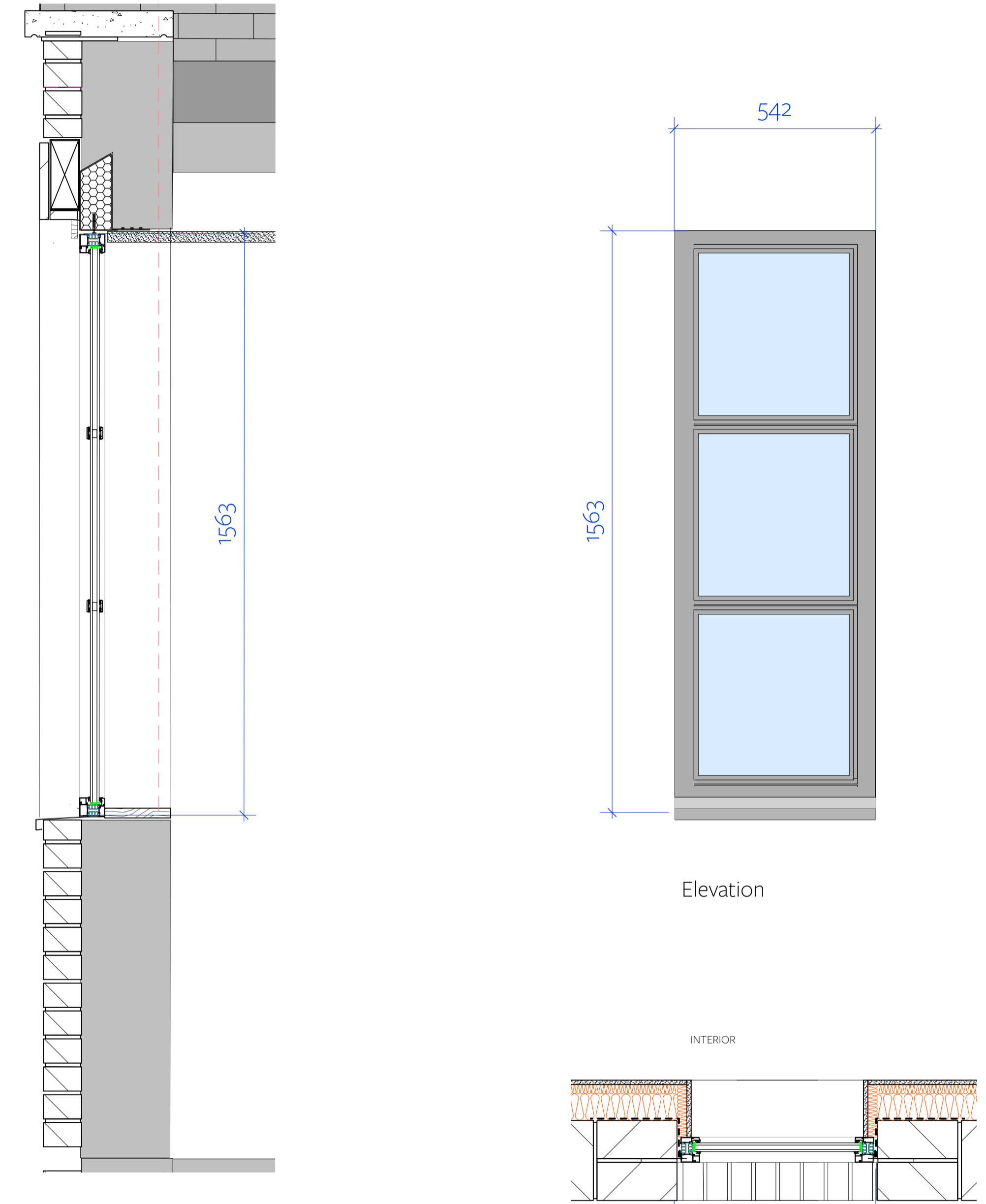


TYPICAL ALUMINIUM BEAD DETAIL 1:1

W02.03b

Window Detail
1:10 @ A1, 1:20 @ A3

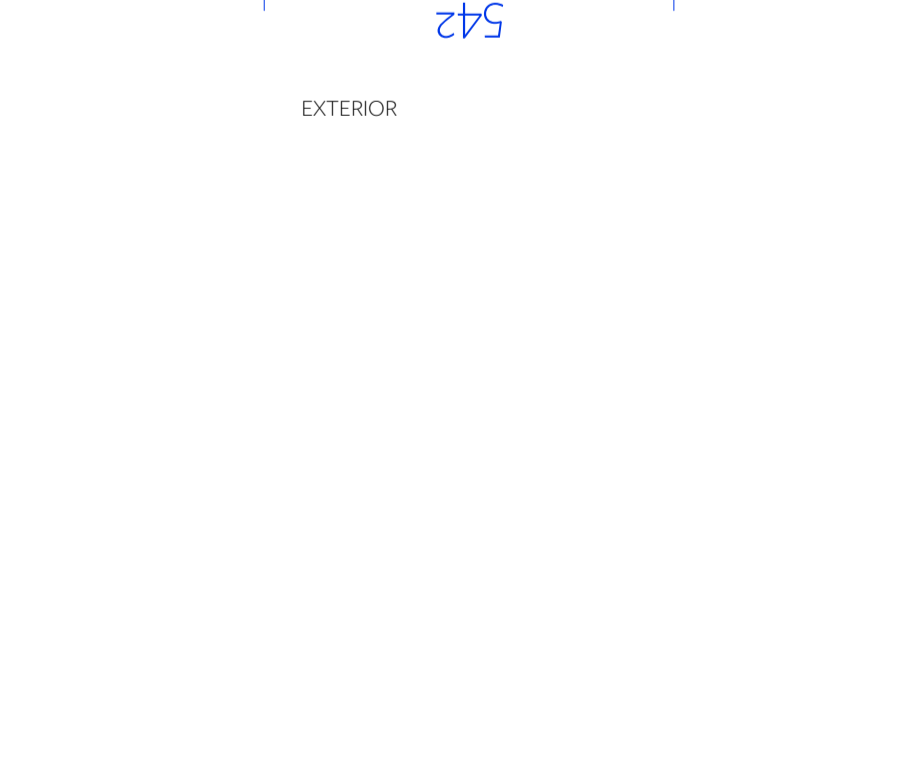
New Crittal Style Window
Aluminium profiles and plant on beads
Colour RAL 7021



Section

Elevation

Plan



TYPICAL ALUMINIUM FRAME DETAIL 1:1

TYPICAL ALUMINIUM BEAD DETAIL 1:1

| For Tender | | |
|------------|------------|--------|
| Drawn by | Checked by | Date |
| AP | PAH | May 19 |

Information contained within this drawing is the sole copyright of T.A.L.S.D. and is not to be reproduced without express permission. No implied license exists. This drawing not to be used for land transfer or valuation purposes. Do not scale from this drawing. All dimensions & levels are to be checked on site by the contractor issued for purposes indicated only. Drawing errors and omissions to be reported to the architect.

| Description | | |
|-------------|------------|--|
| It | Checked by | Date |
| 11 | 19.06.2019 | Issued for information |
| C1 | 31.07.2019 | Construction issue updated to KRAUS comments |
| C2 | 09.10.2019 | Updated to KRAUS comments |



| | |
|----------------|----------------------------|
| Code | 092 |
| Scale | 1:10 @ A1, 1:20 @ A3 |
| Drawing Title | Proposed Window Details 07 |
| Drawing Number | 092 - dW07 - C2 |