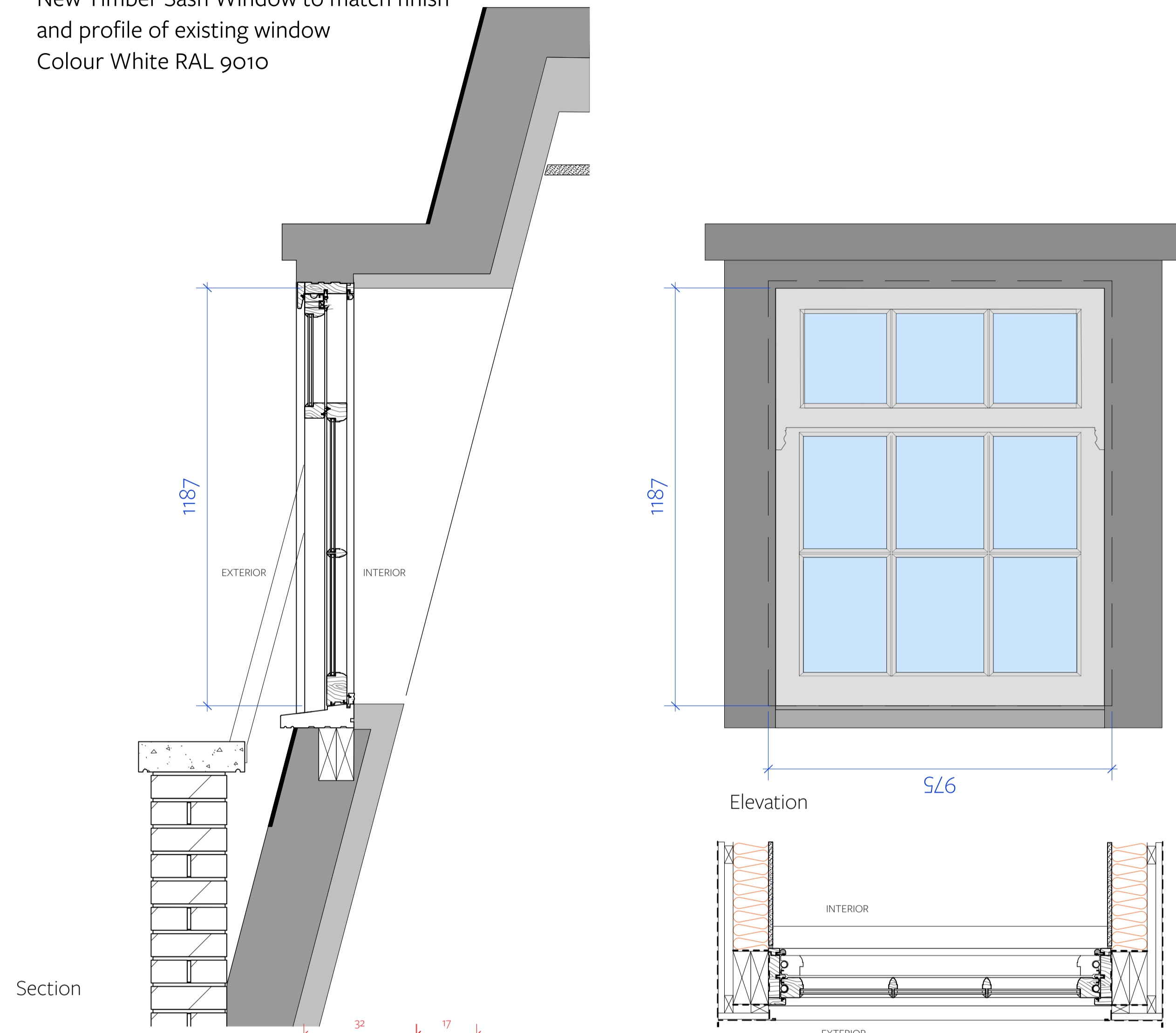


### Wo2.06 + Wo2.03a

Window Detail  
1:10 @ A1, 1:20 @ A3

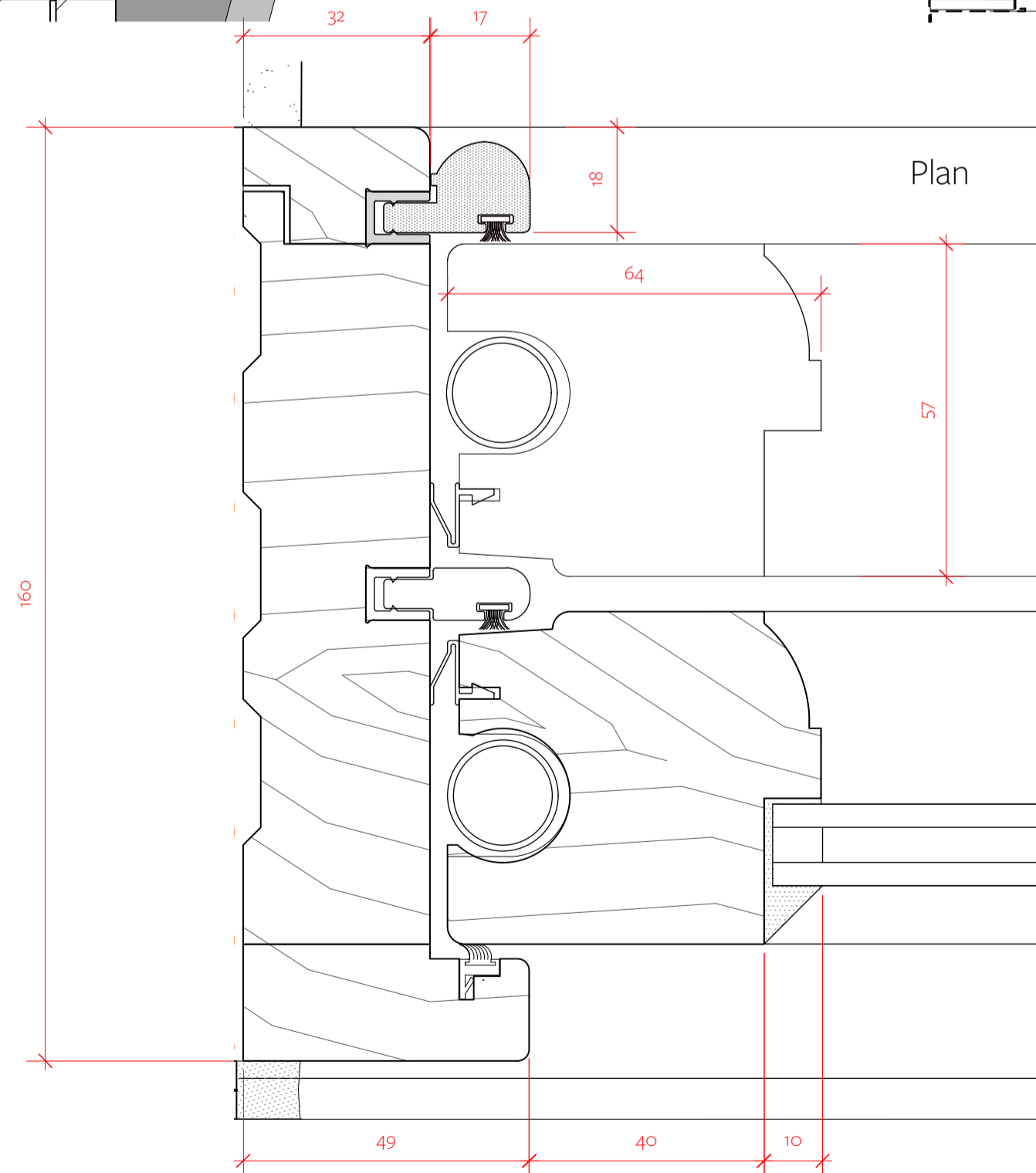
New Timber Sash Window to match finish and profile of existing window  
Colour White RAL 9010



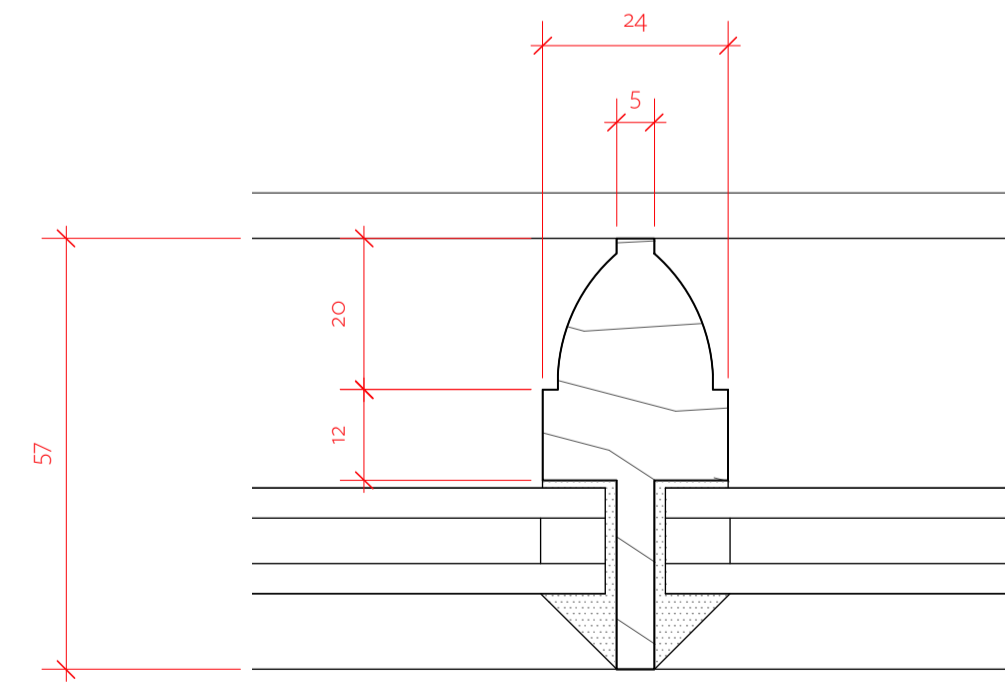
Section

Elevation

Section



TYPICAL CASEMENT FRAME DETAIL 1:1

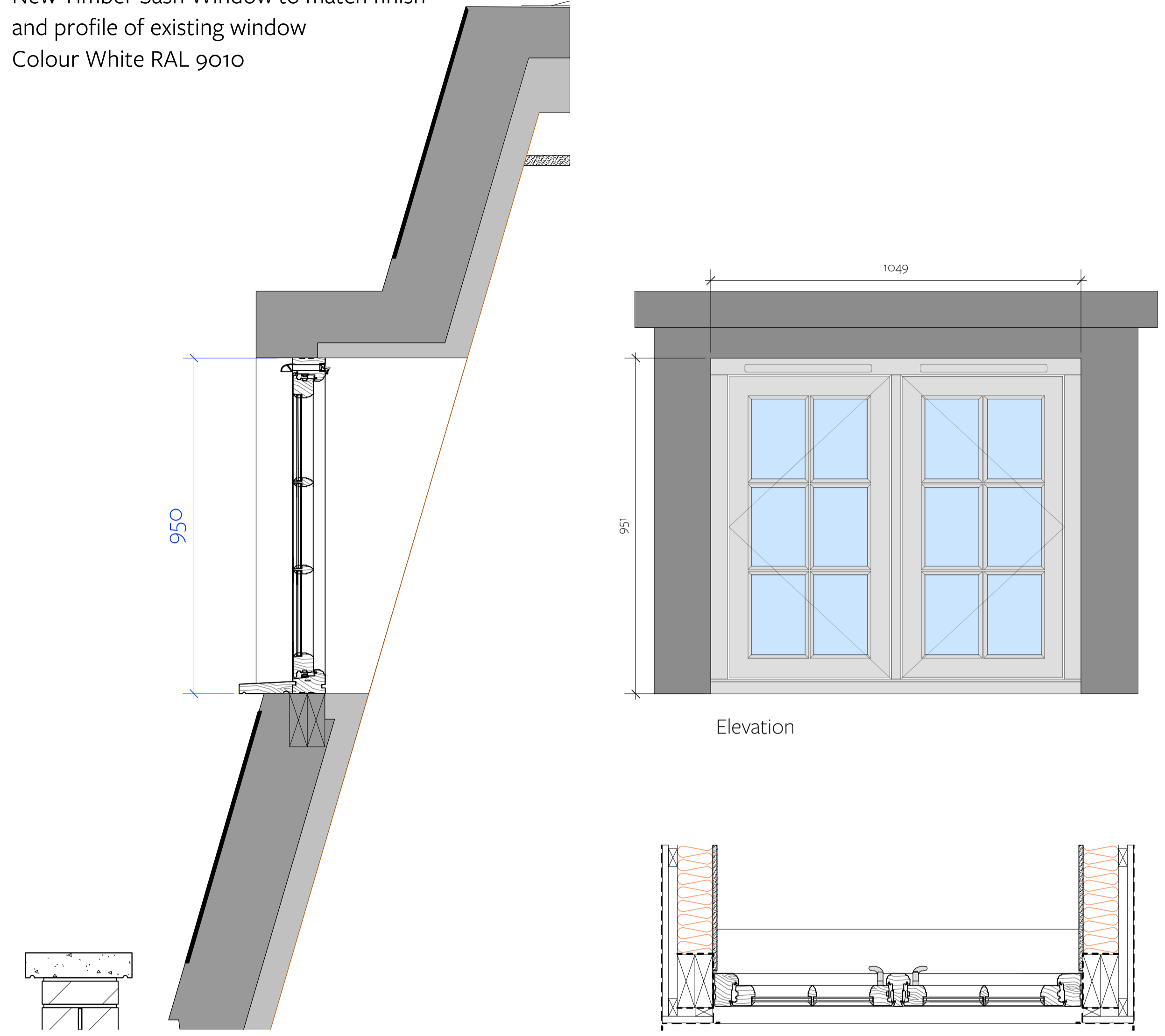


TYPICAL SASH BEAD DETAIL 1:1

### Wo2.01a + Wo2.01c + Wo2.02b

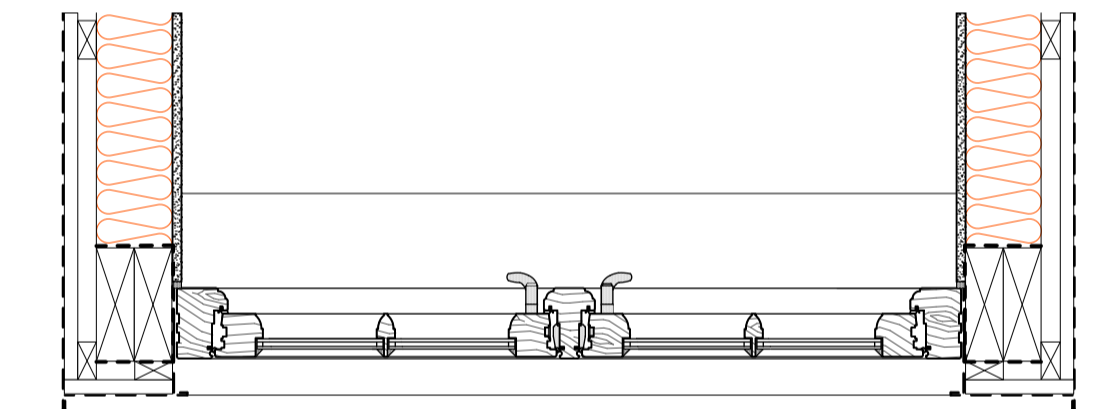
Window Detail  
1:10 @ A1, 1:20 @ A3

New Timber Sash Window to match finish and profile of existing window  
Colour White RAL 9010

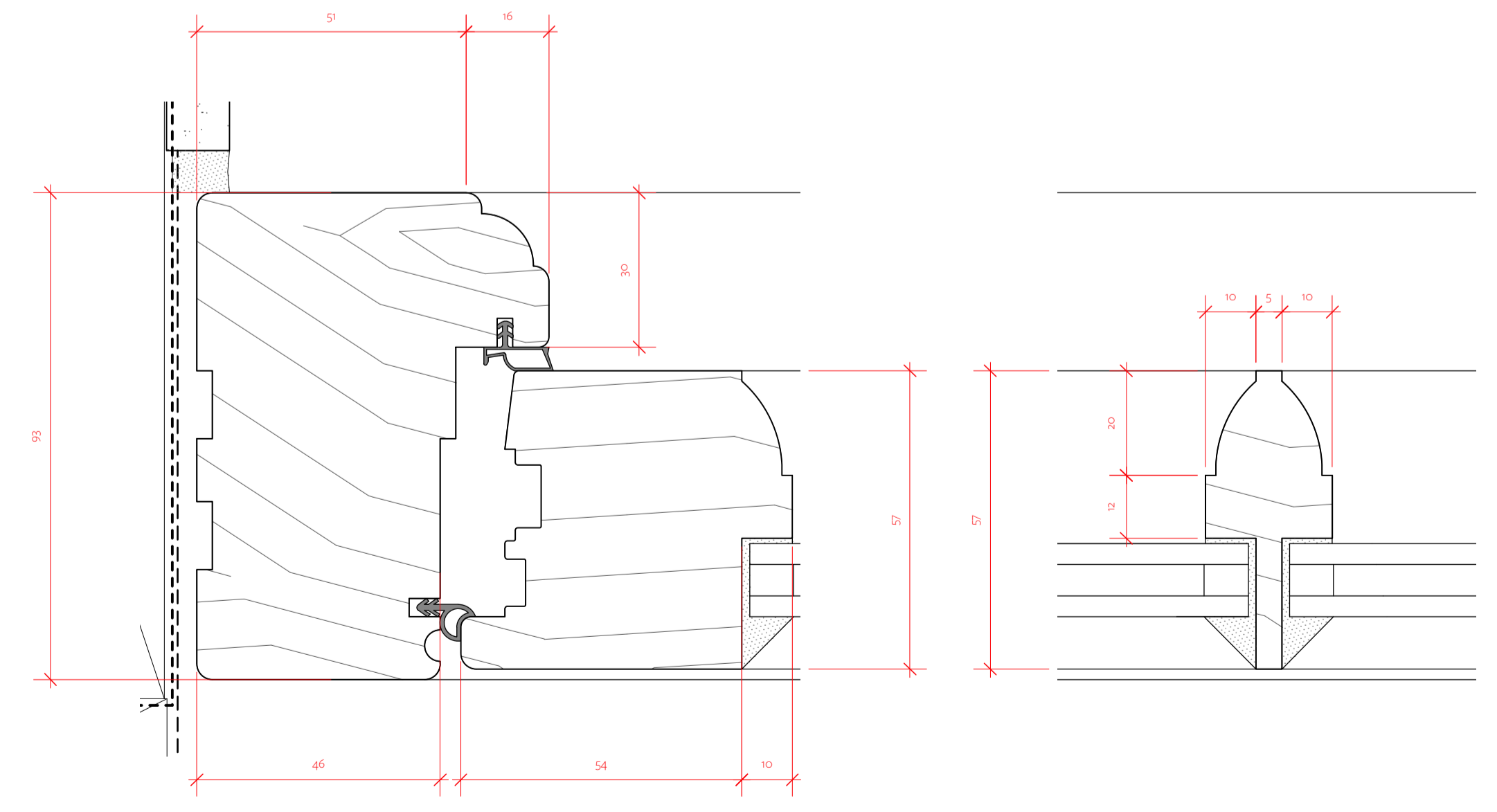


Section

Elevation



Section



TYPICAL CASEMENT FRAME DETAIL 1:1

TYPICAL CASEMENT BEAD DETAIL 1:1

For Tender

Drawn by	Checked by	Date
AP	PAH	May 19

Information contained within this drawing is the sole copyright of T.A.H. and is not to be reproduced without express permission. No implied licence exists. This drawing is not to be used for land transfer or valuation purposes. Do not scale from this drawing. All dimensions & levels are to be checked on site by the contractor. Issued for purposes indicated only. Drawing errors and omissions to be reported to the architect.

It	Issued for	Description
C1	31.07.2019	Construction issue updated to KRALUS comments



Code	092
Scale	1:10 @ A1, 1:20 @ A3
Drawing Title	Proposed Window Details 05
Drawing Number	092-dW05-C1