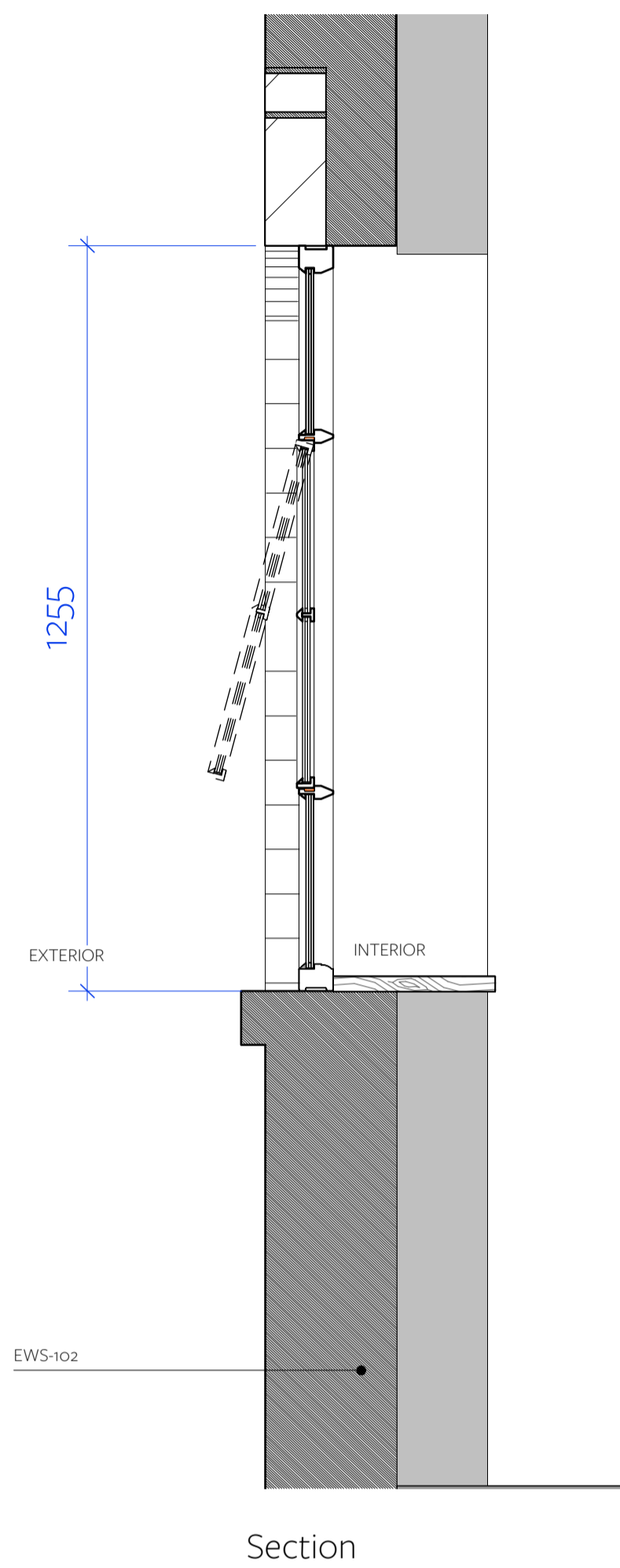


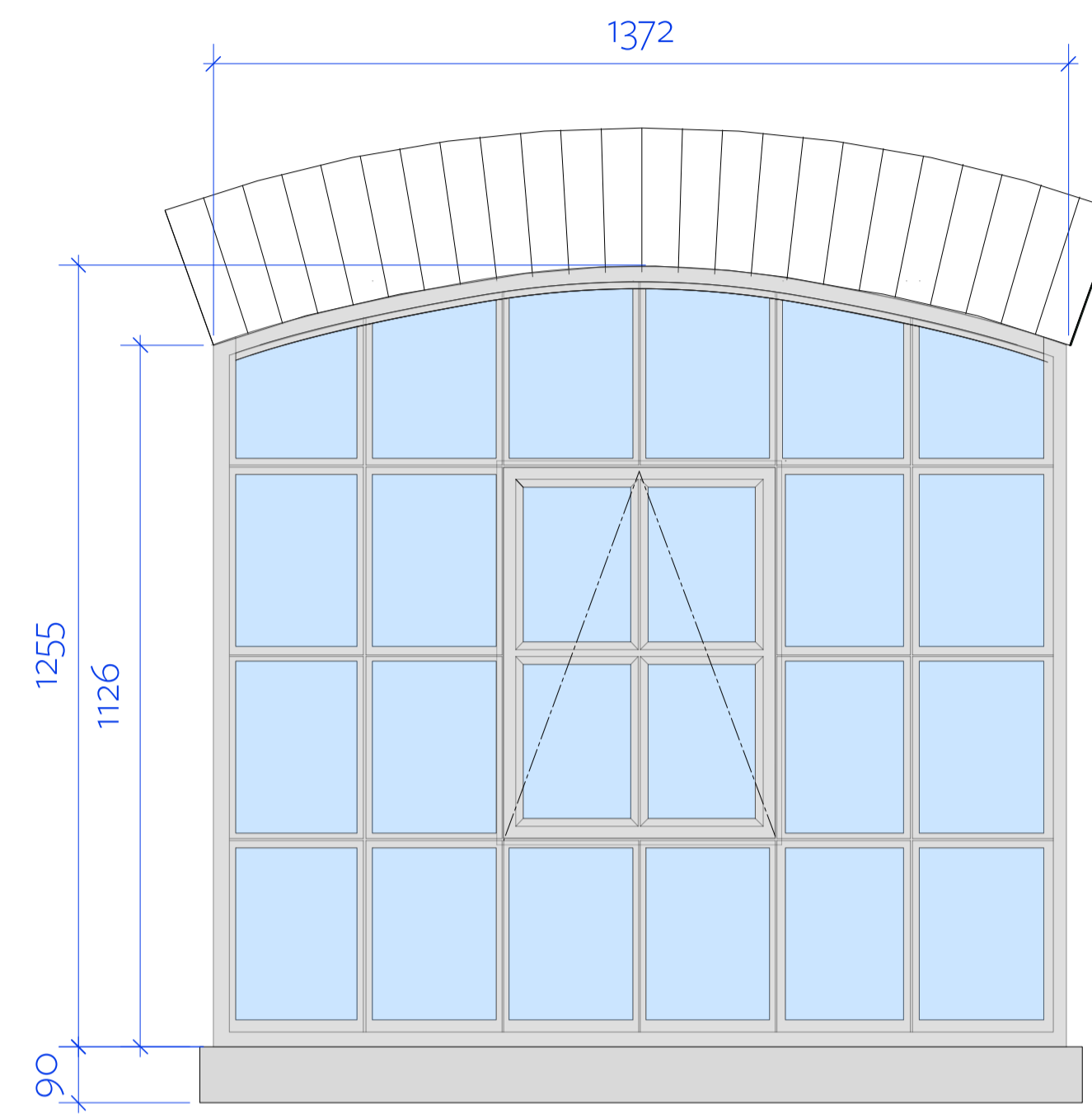
W01.01b/02

Window Detail
1:10 @ A1, 1:20 @ A3

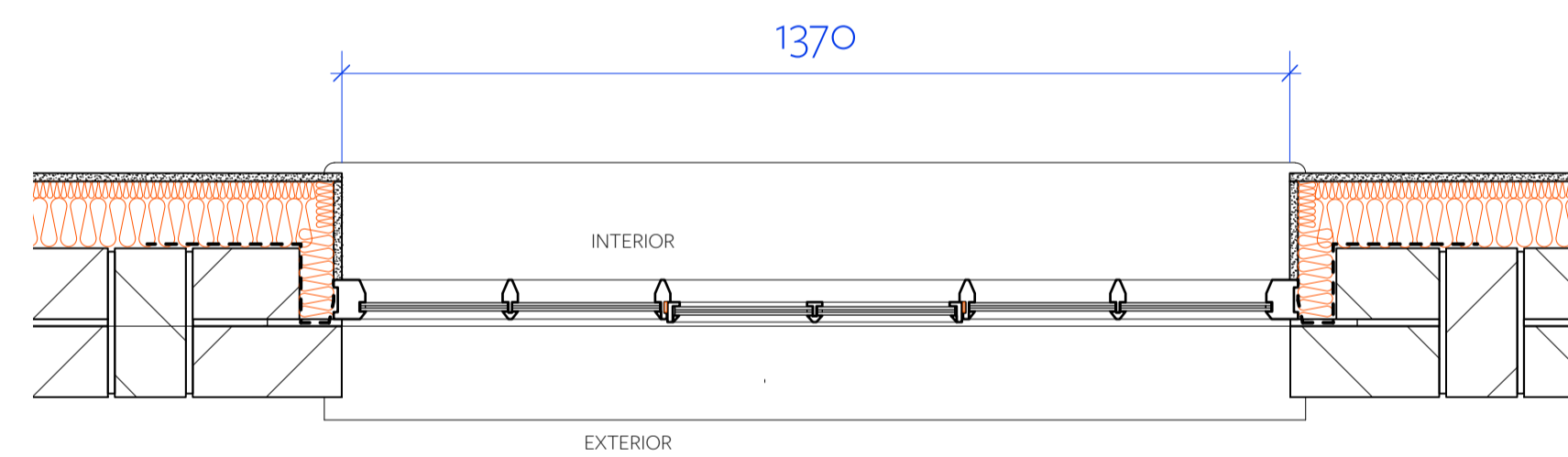
New Timber Window to match finish
and profile of existing window
Colour Black RAL 9005 Internally White RAL 9010



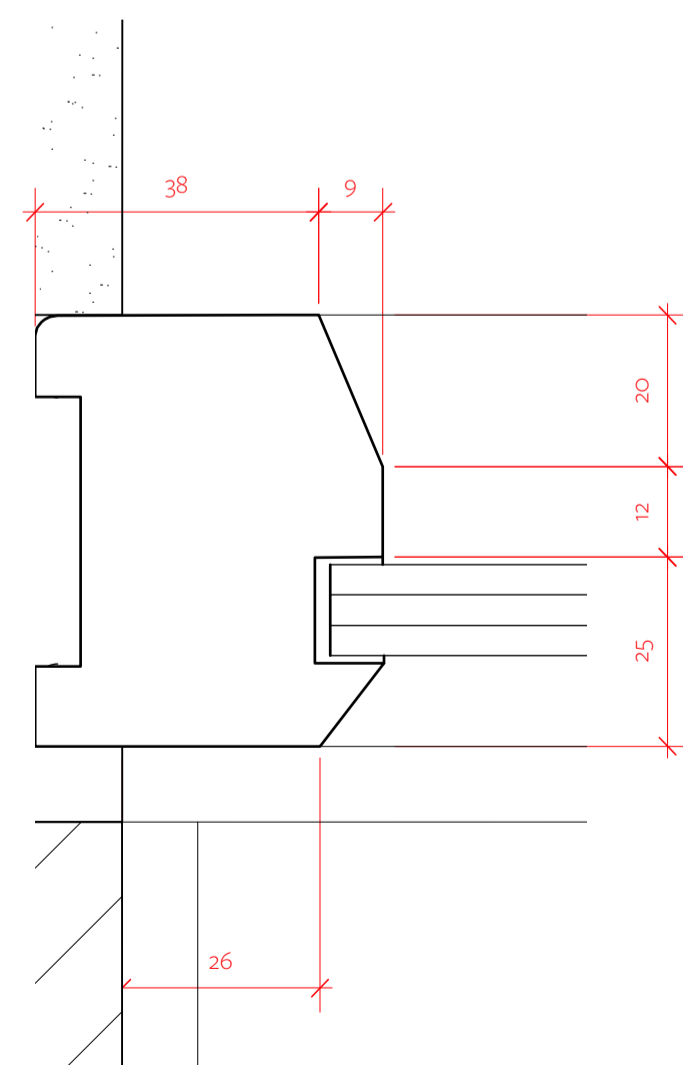
Section



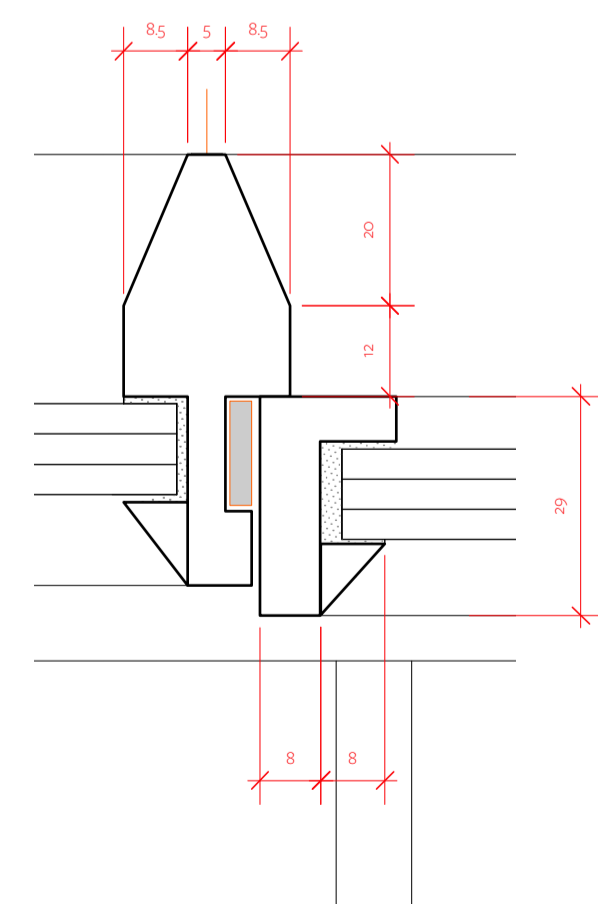
Elevation



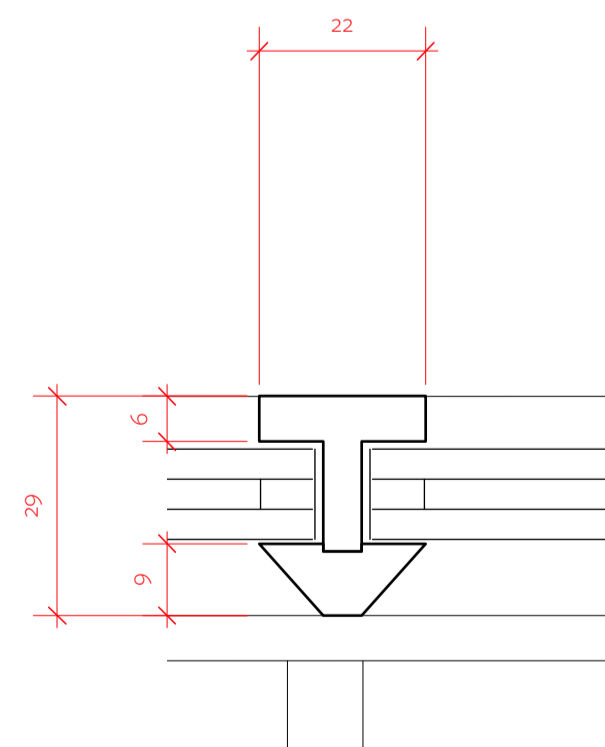
Plan



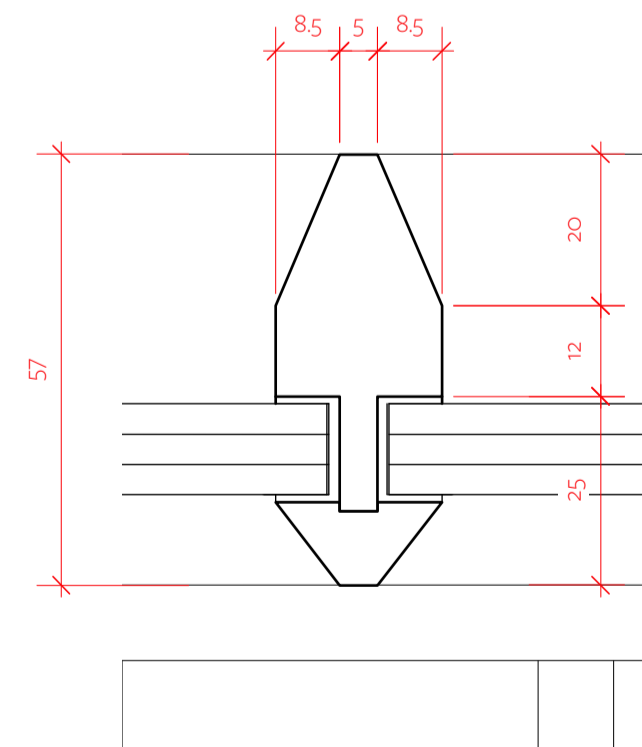
Typical Frame Detail 1:1



Typical Fan Light Detail 1:1



Typical Fan Light Bead Detail 1:1



Typical Bead Detail 1:1

