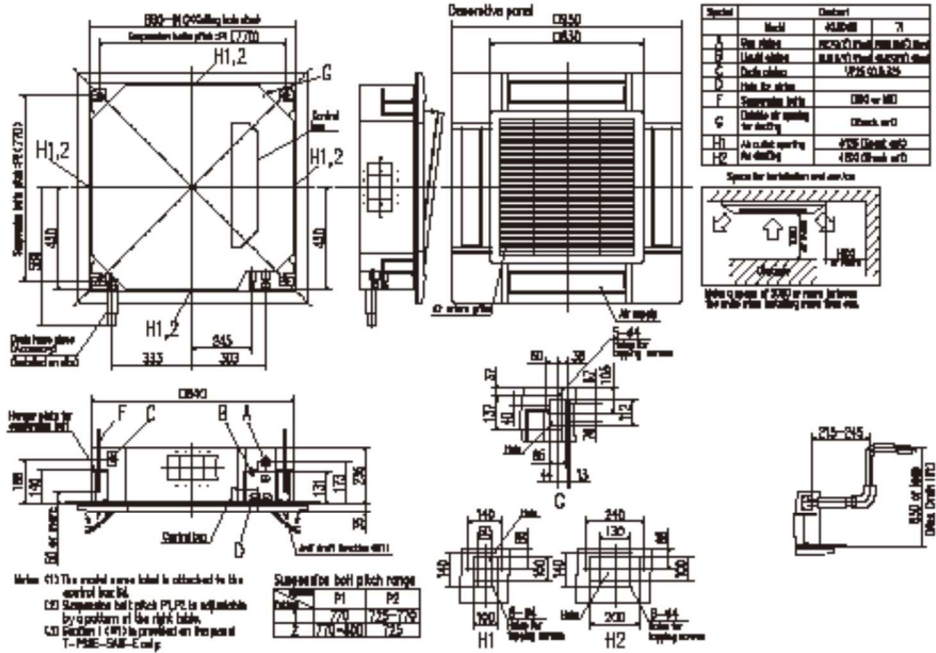


**DIMENSIONS (Unit:mm) - FDT -**

Models FDT40VH, 50VH, 60VH, 71VG



Models FDT100VG, 125VG, 140VG

