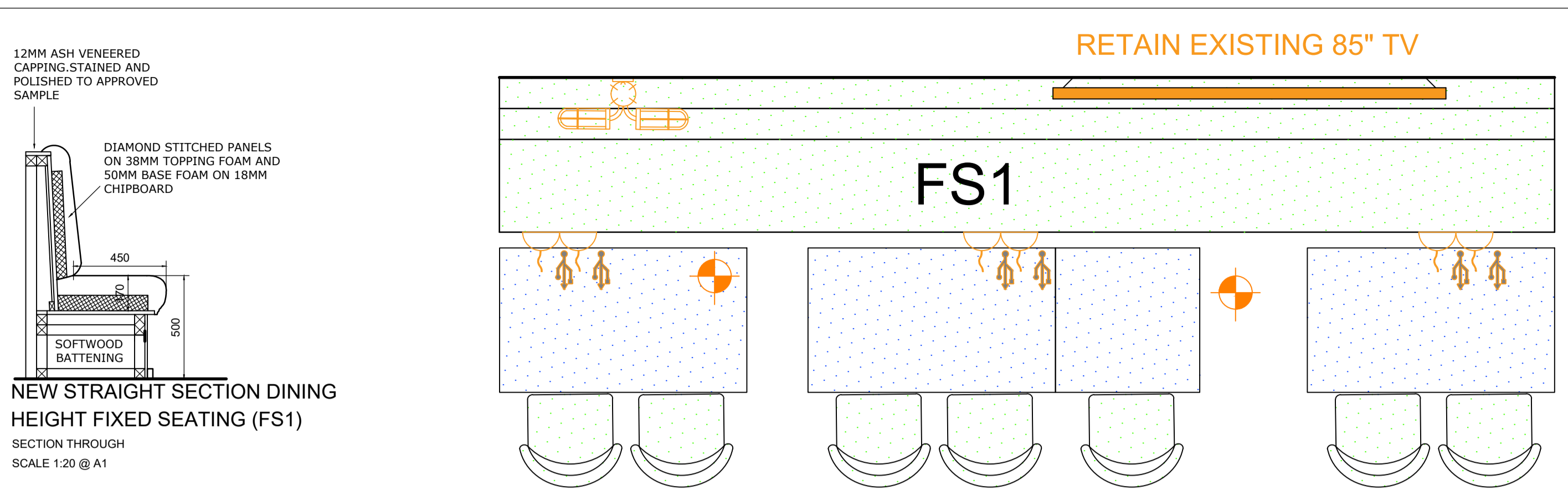
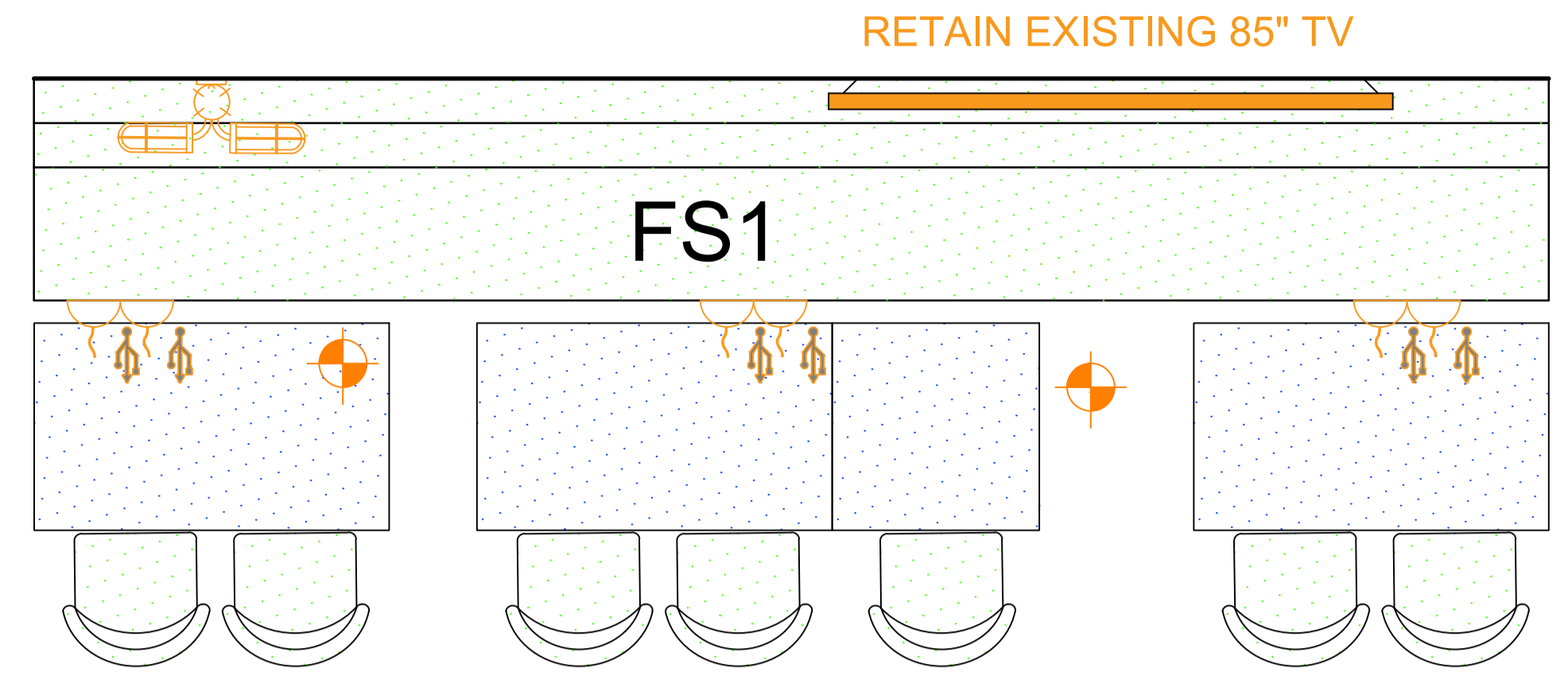




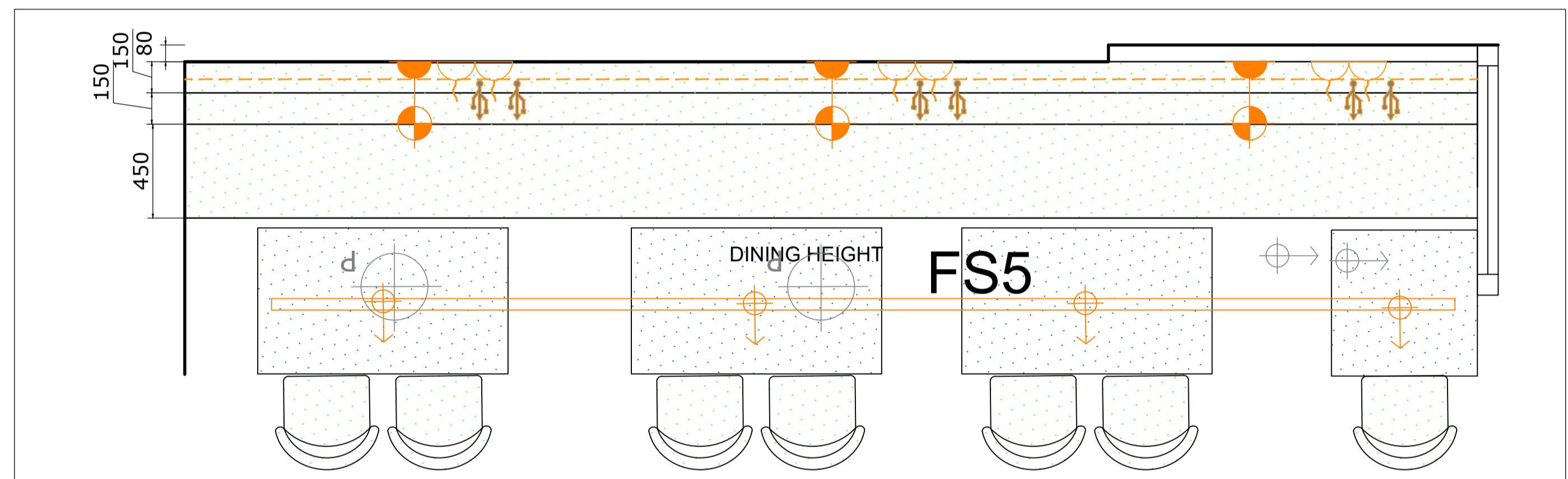
Revision



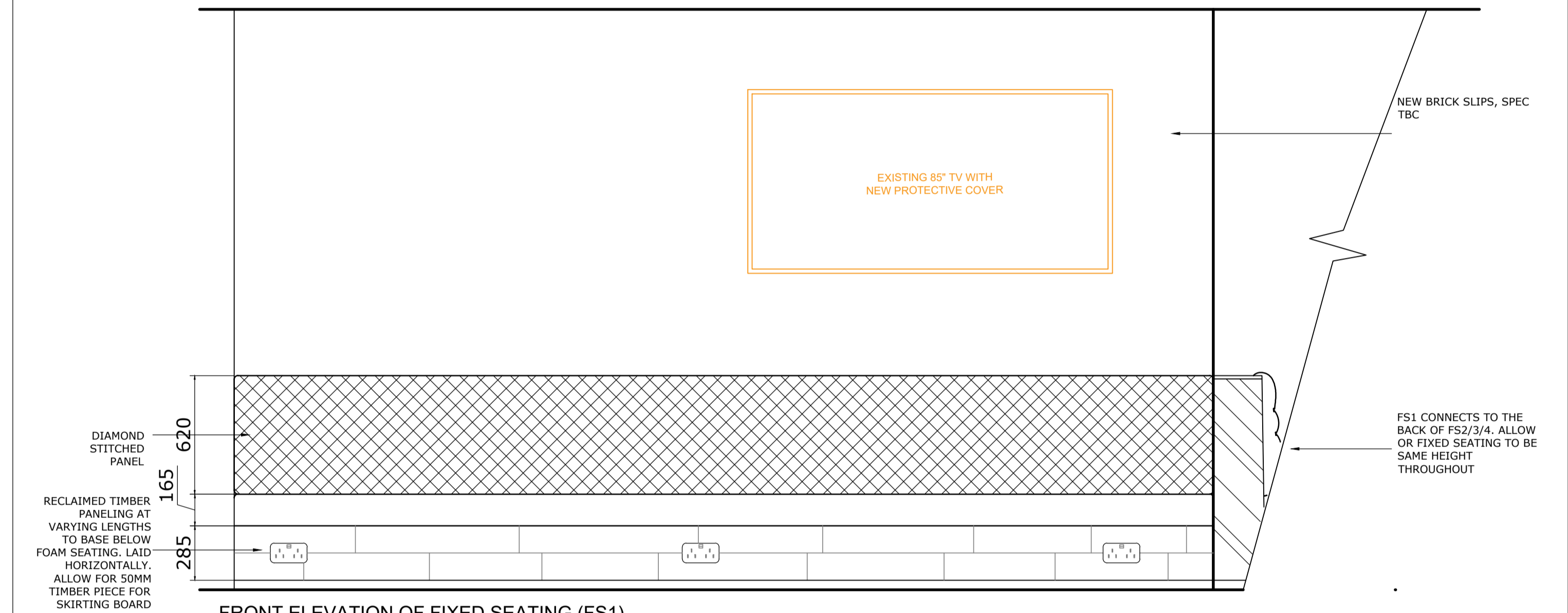
NEW STRAIGHT SECTION DINING HEIGHT FIXED SEATING (FS1)
SECTION THROUGH
SCALE 1:20 @ A1



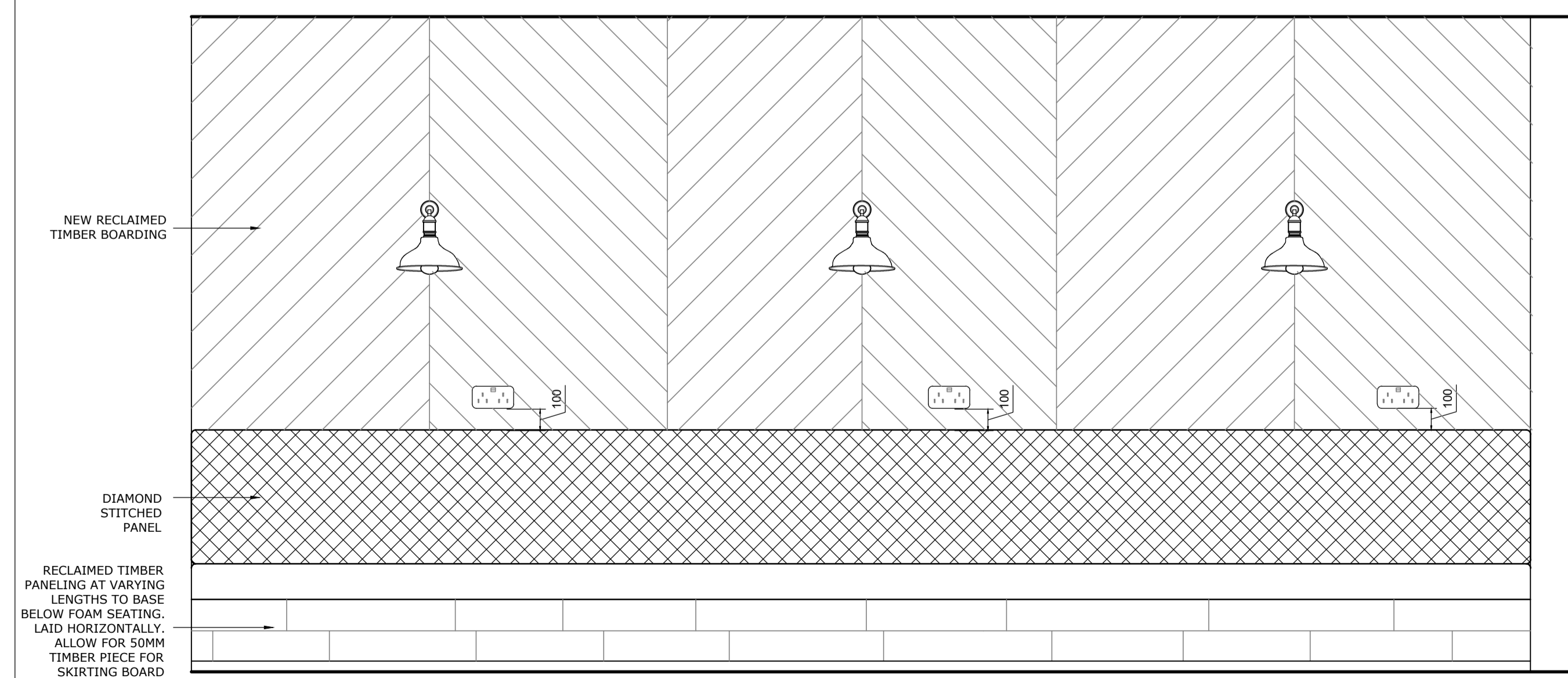
NEW STRAIGHT SECTION DINING HEIGHT FIXED SEATING (FS1)
PLAN
SCALE 1:20 @ A1



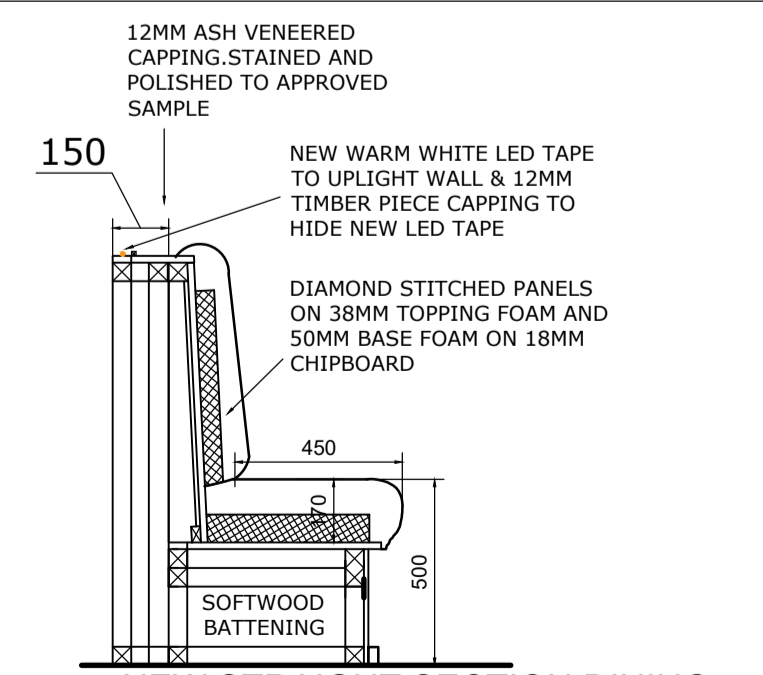
NEW STRAIGHT SECTION DINING HEIGHT FIXED SEATING (FS5)
PLAN
SCALE 1:20 @ A1



FRONT ELEVATION OF FIXED SEATING (FS1)
SCALE 1:20 @ A1



FRONT ELEVATION OF FIXED SEATING (FS5)
SCALE 1:20 @ A1



NEW STRAIGHT SECTION DINING HEIGHT FIXED SEATING (FS5)
SECTION THROUGH
SCALE 1:20 @ A1

Tel: 01924 252482
Email: studio@spatialized.com
Web: www.spatialized.com

1 NAVIGATION COURT
CALDER PARK
WAKEFIELD
WF2 7BJ

MITCHELLS & BUTLERS PLC
27 FLEET STREET
BIRMINGHAM
B3 1JP

Title: **FIXED SEATING DETAILS (FS1 & 5)**

Address: **THE ROCKET
120 EUSTON ROAD
LONDON
NW1 2AL**

Date	SEP'19	Revision	-
Drawn	LH	Job No	15-19-1020
Scale	1:20 @ A1	Dwg No	08

Copyright - This drawing & design and all the information contained therein is the sole copyright of Spatialized Ltd - and reproduction in any form is forbidden unless permission is obtained in writing.
CONTRACTORS PLEASE NOTE:
1. Warning: no dimensions are to be scaled from this drawing. All Contractors must visit site and be responsible for taking & checking all dimensions relative to this work. The designer must be advised of any discrepancies in writing.
2. Any discrepancies between drawings & specification should be reported to the Designer prior to any work commencing.
3. All fixtures and fittings should be fitted/installed in line with industry standards and comply with HSE, CDM, CQC and the regulations outlined by any other regulatory body applicable.