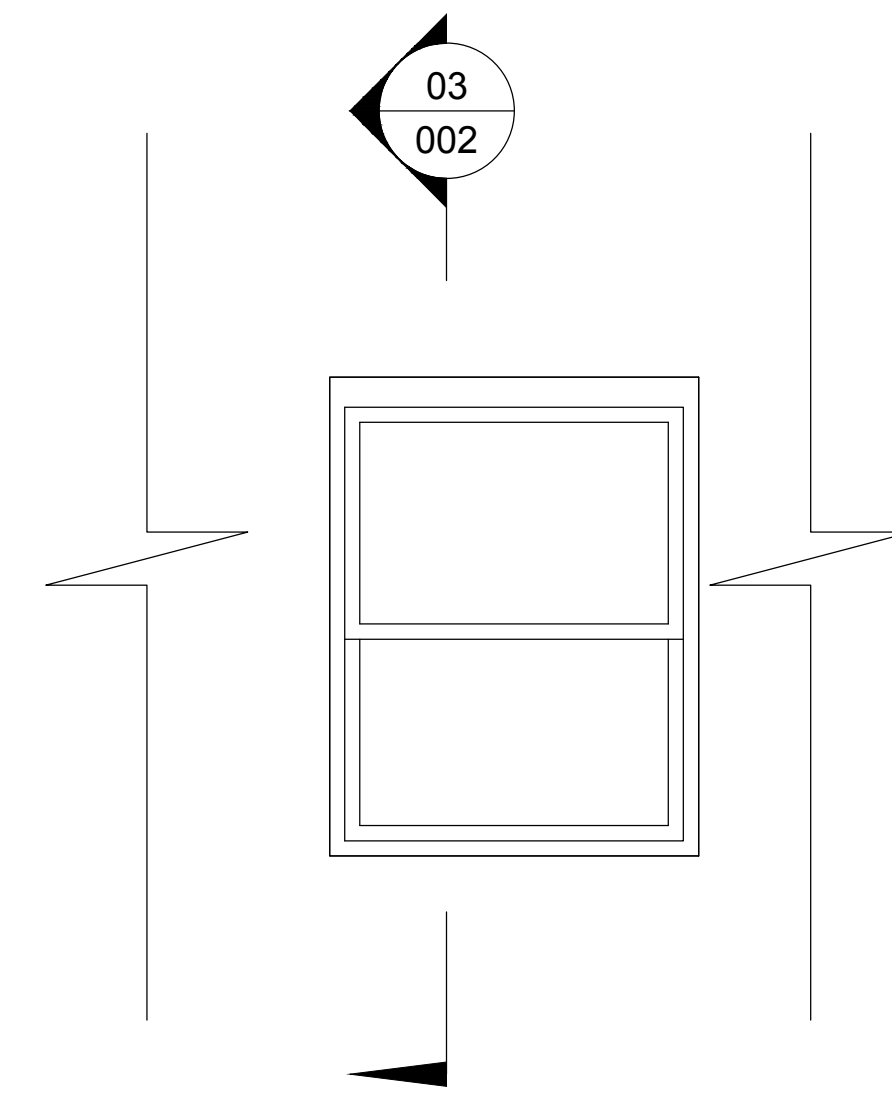
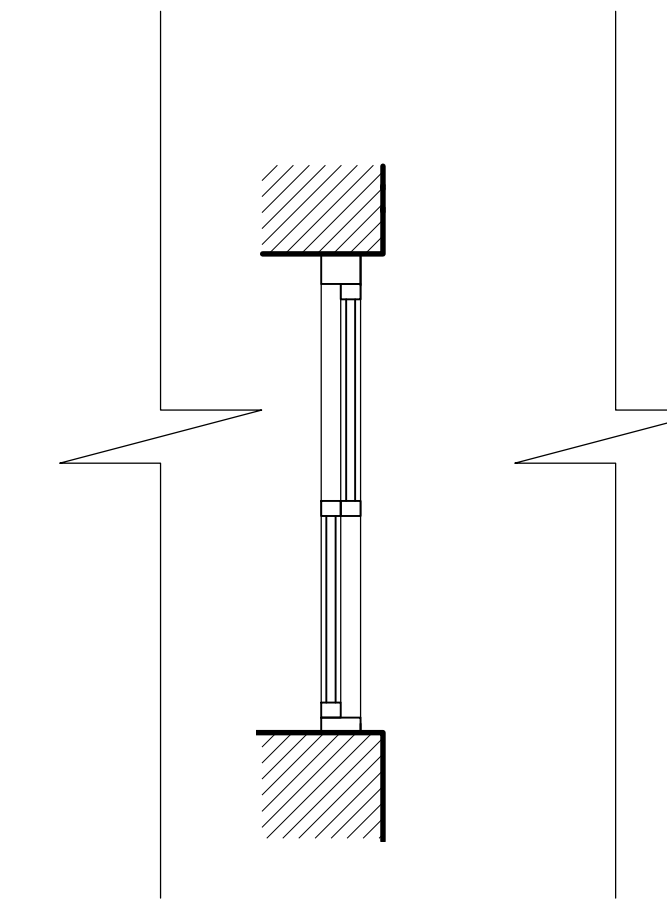




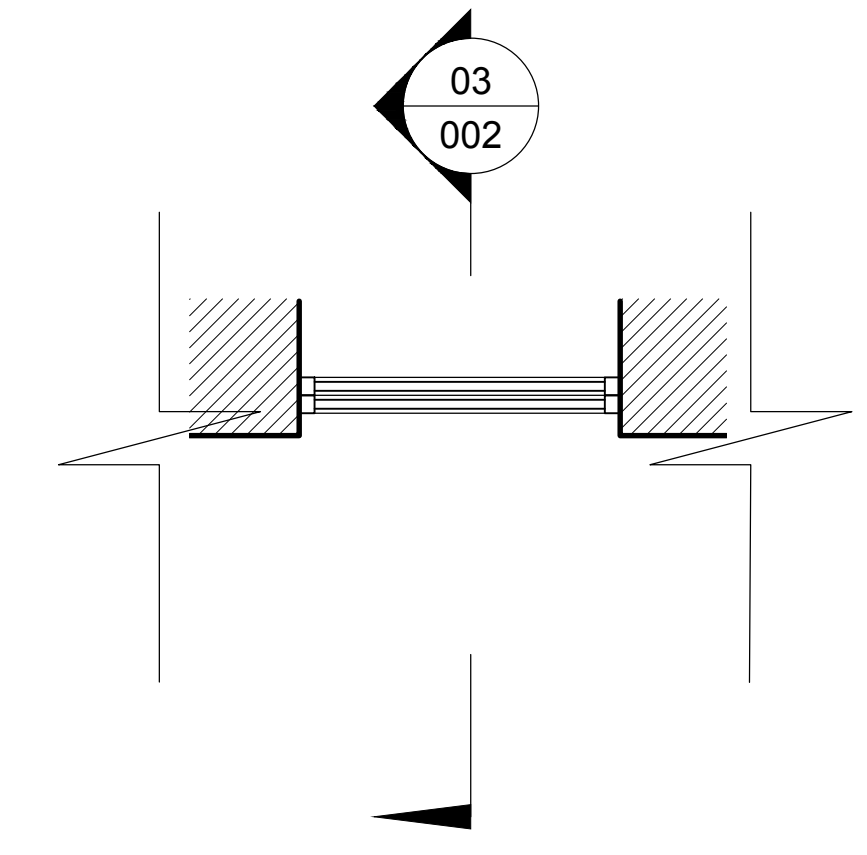
01
002 EXISTING EXTERNAL WINDOW AND ENTRANCE DOOR ELEVATION
SCALE 1:50



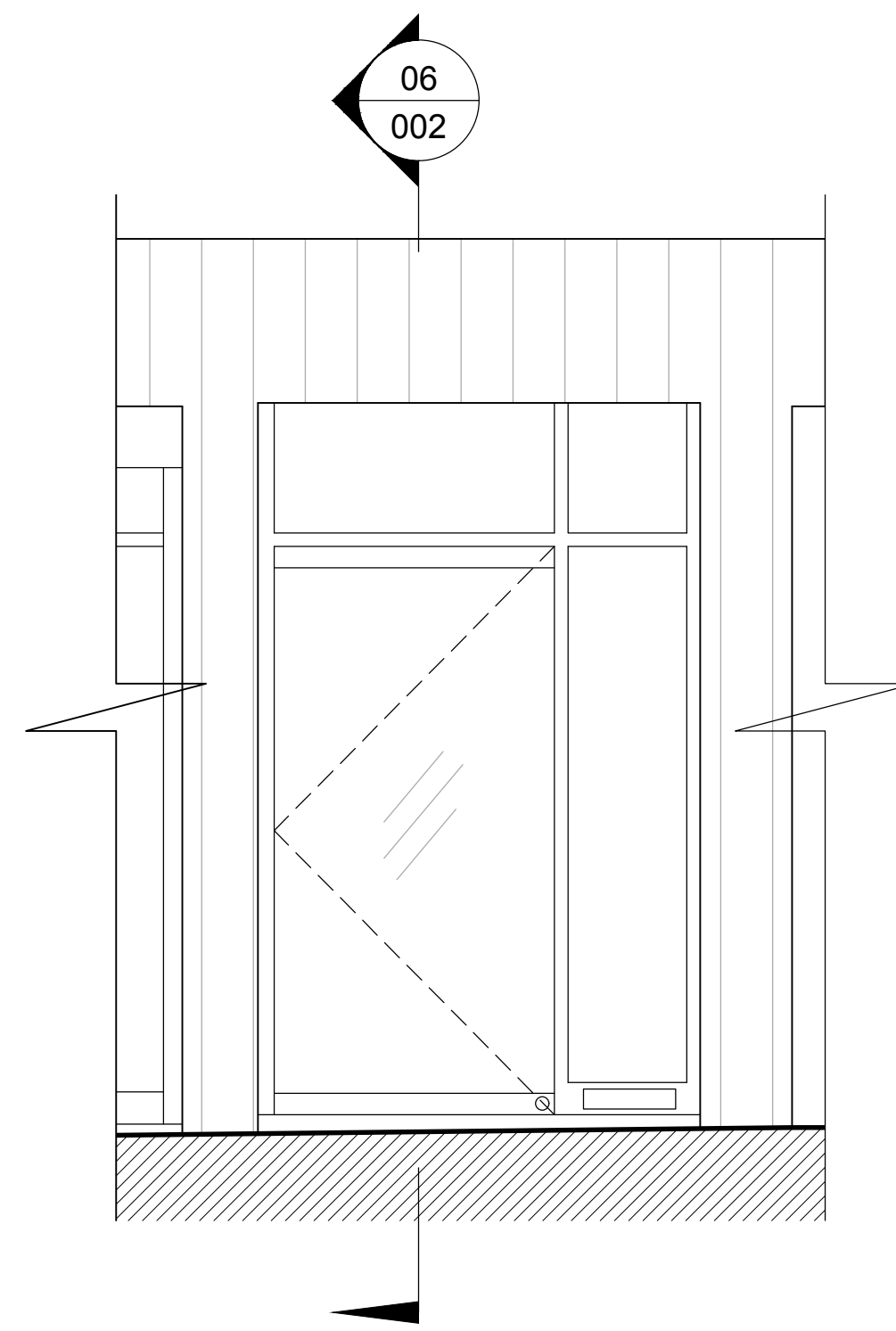
02
002 EXISTING WINDOW ELEVATION
SCALE 1:25



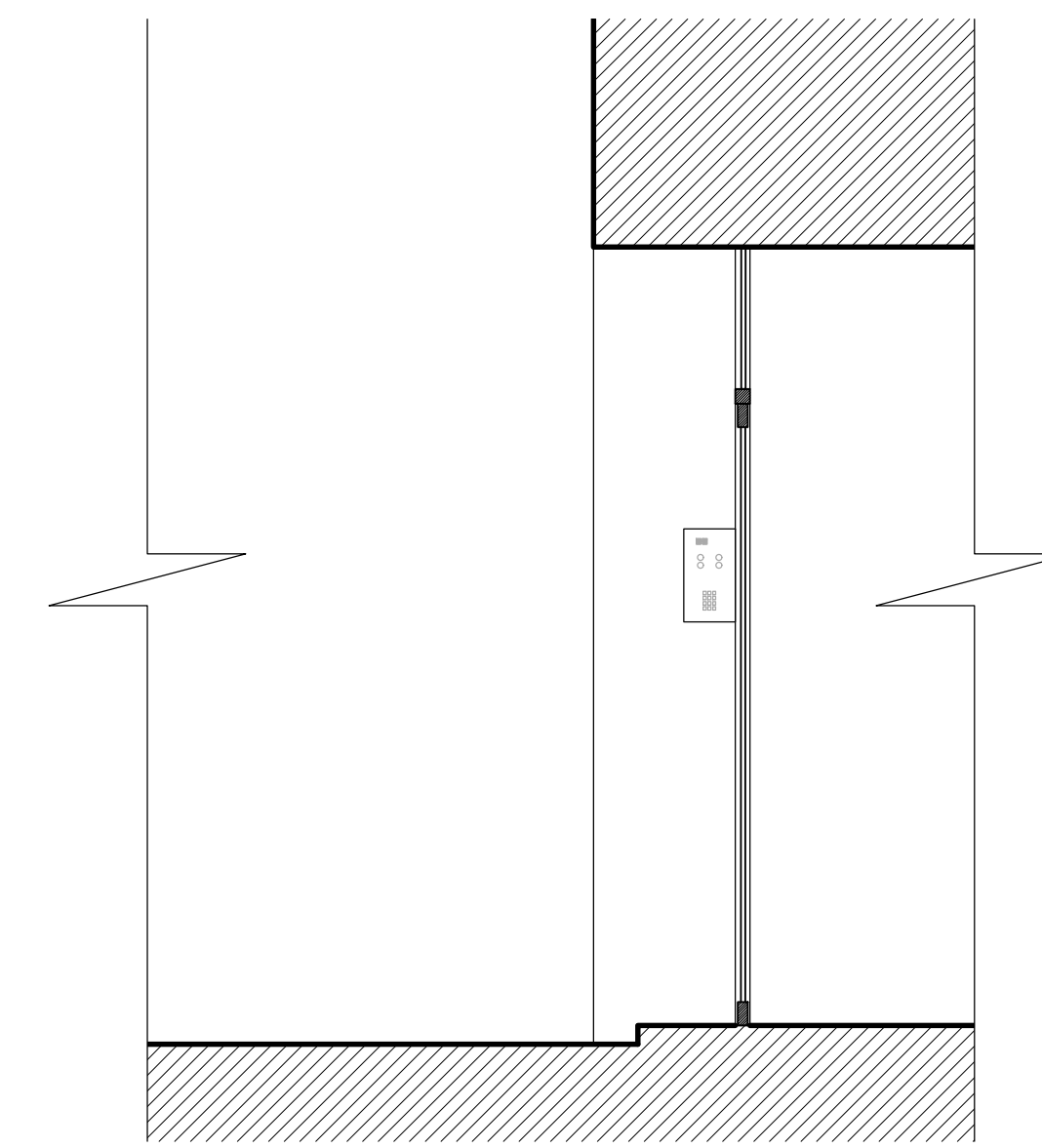
03
002 EXISTING WINDOW SECTION
SCALE 1:25



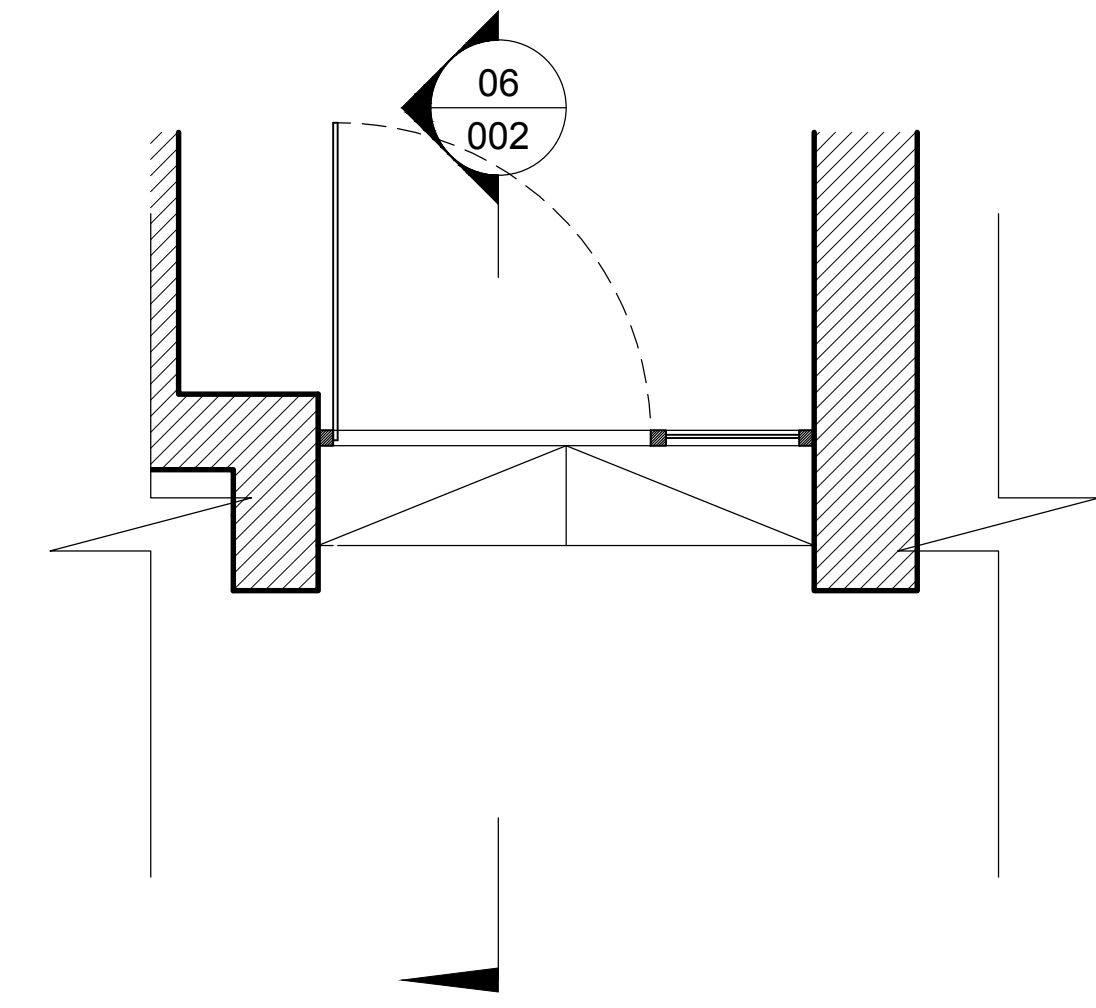
04
002 EXISTING WINDOW PLAN
SCALE 1:25



05
002 EXISTING DOOR ELEVATION
SCALE 1:25



06
002 EXISTING DOOR SECTION
SCALE 1:25



07
002 EXISTING DOOR PLAN
SCALE 1:25